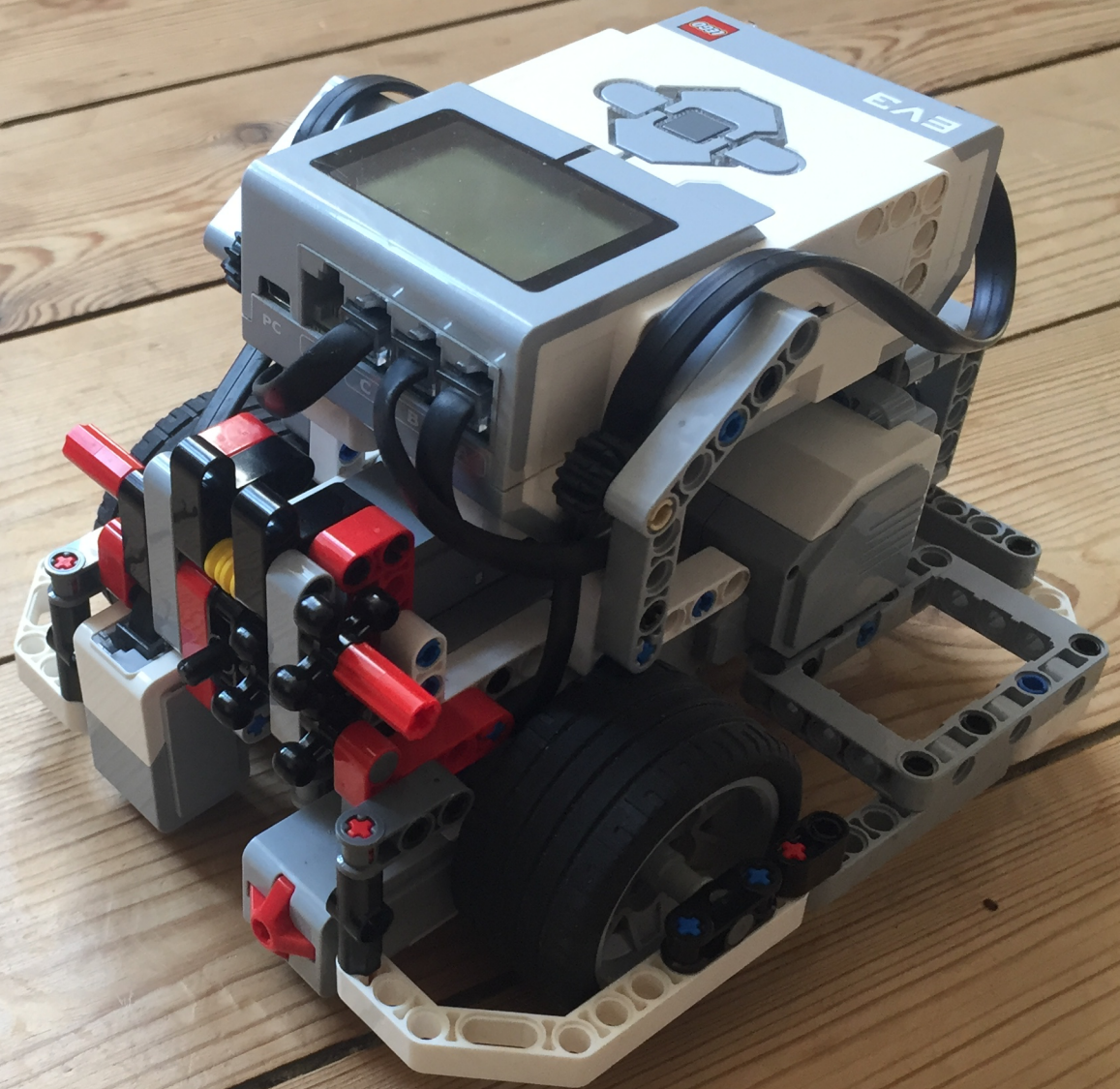


# COR3

FLL Base Robot



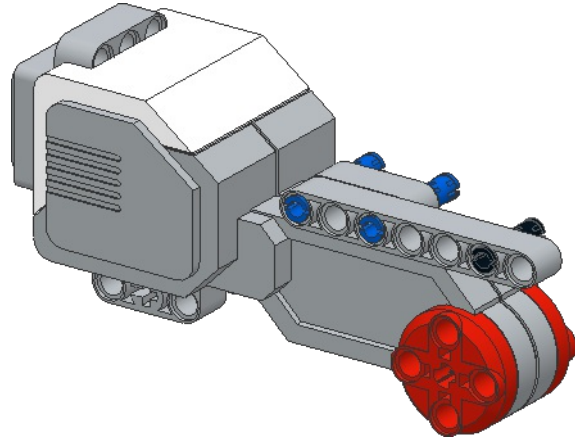
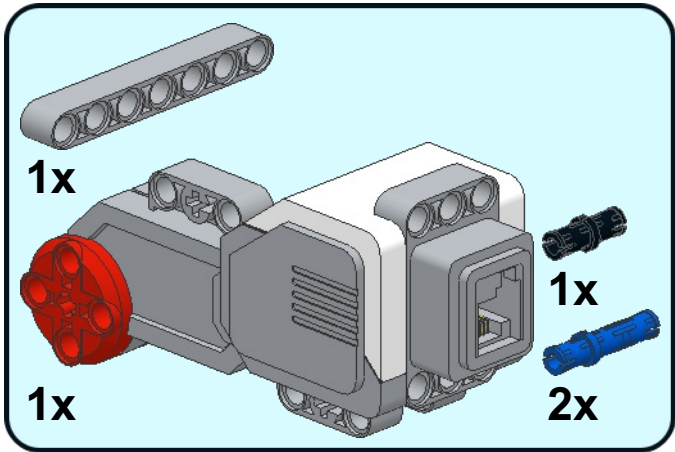


This Robot is designed for use in FLL and for teaching purposes. It is very easy to build new tools for and, most importantly, it can be built from a single MINDSTORMS EV3 education set.

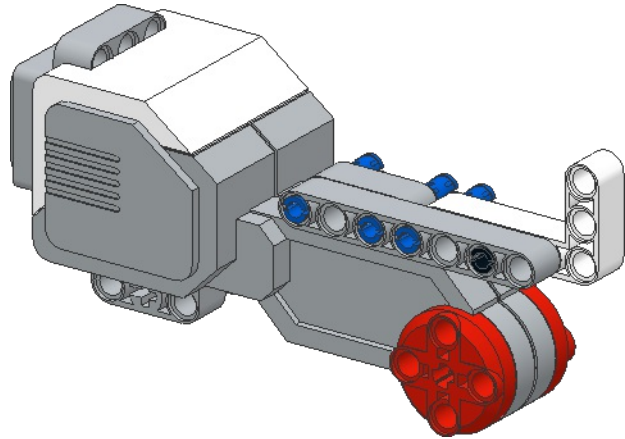
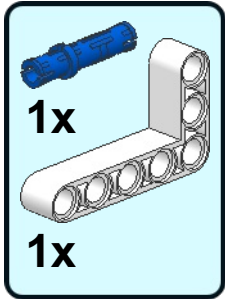
- Have fun, Michael Buss Andersen





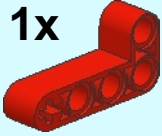
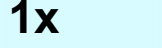
1

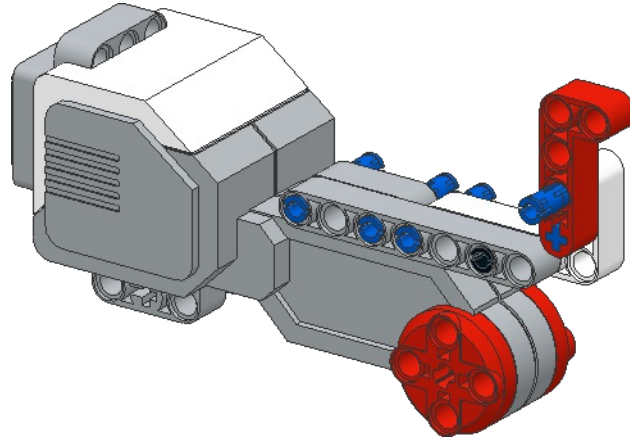



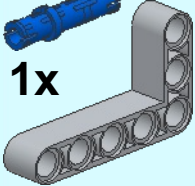
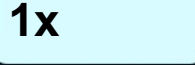
2

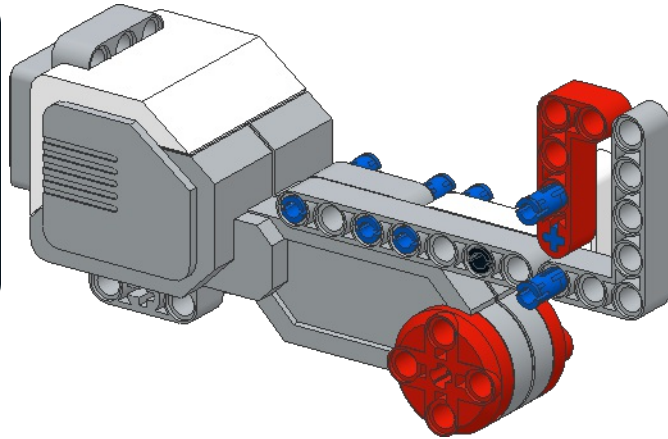




- 3**
- 1x 
  - 1x 
  - 1x 
  - 1x 

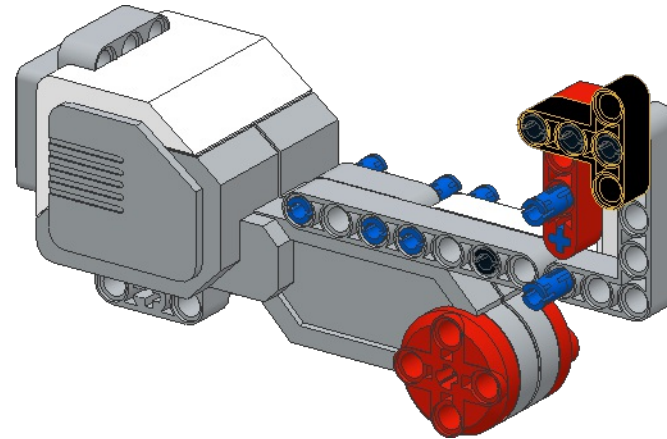
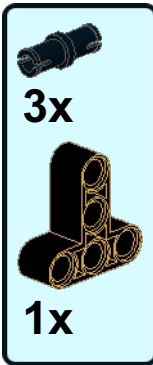


- 4**
- 1x 
  - 1x 
  - 1x 

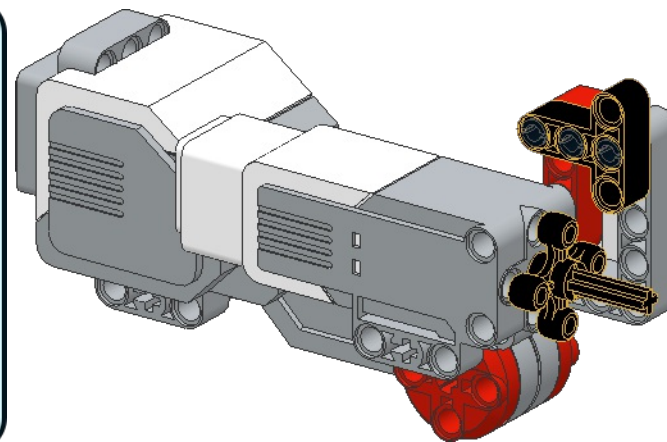
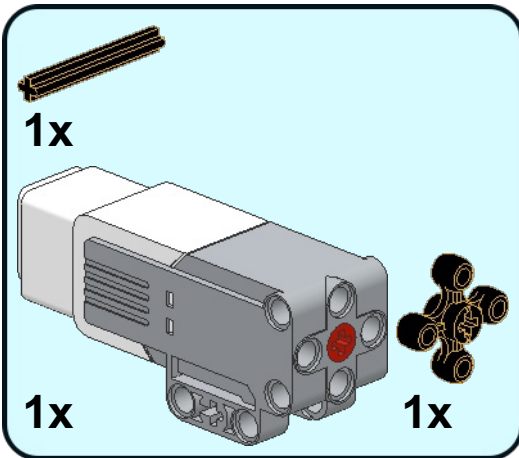




5

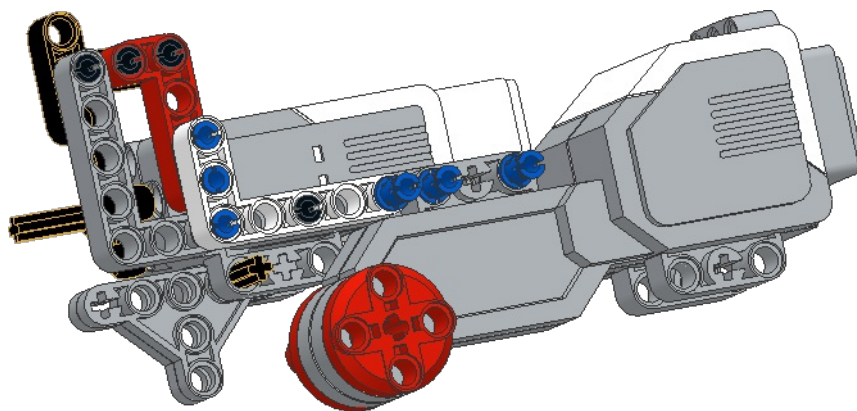
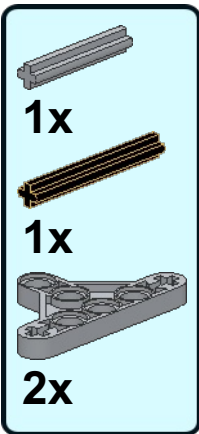


6

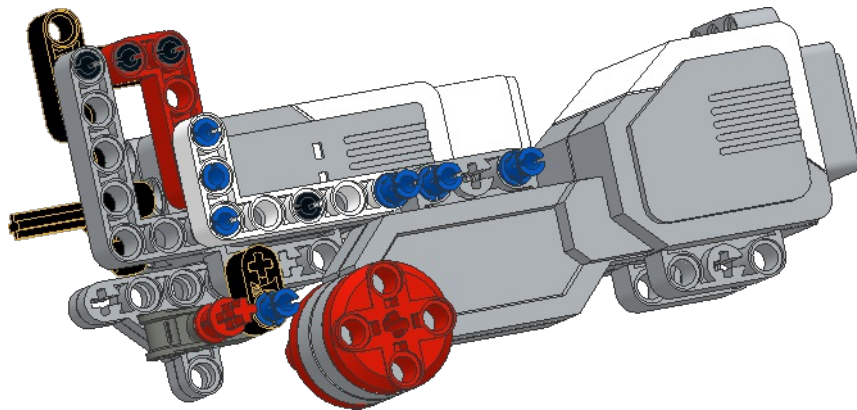
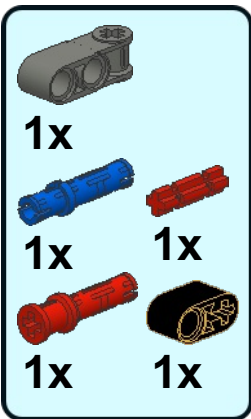




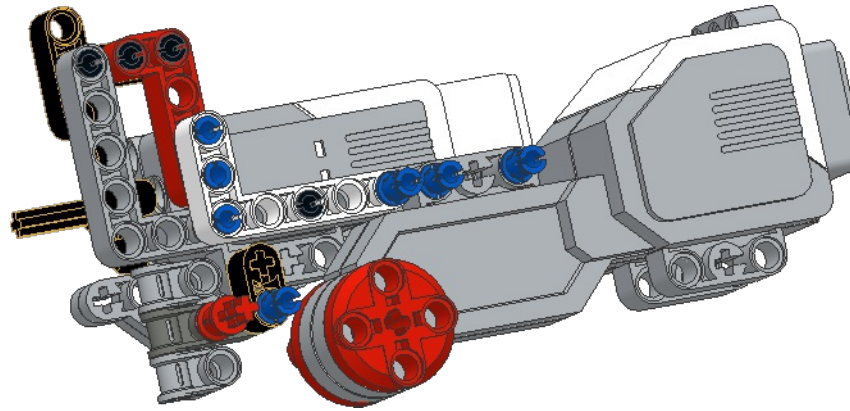
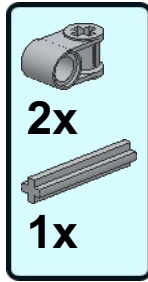
7



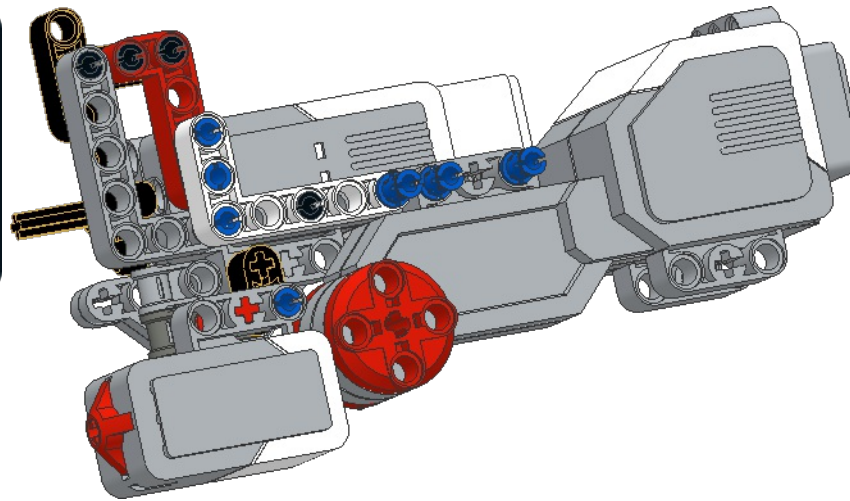
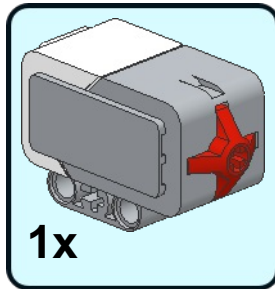
8



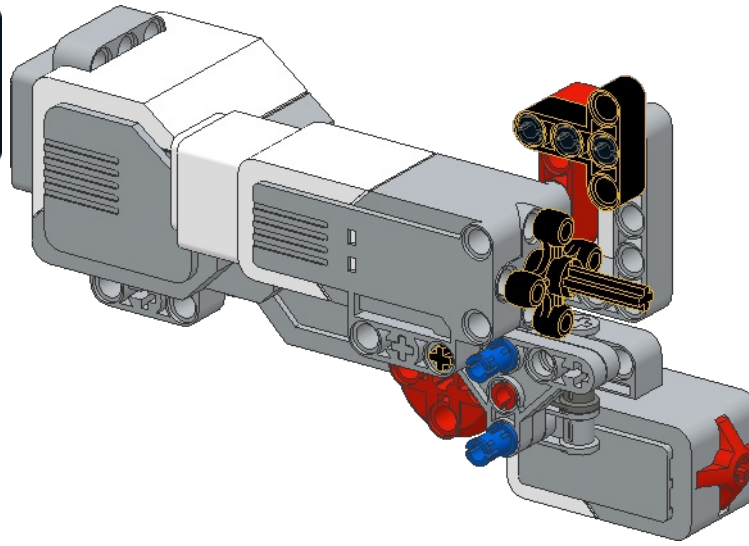
9



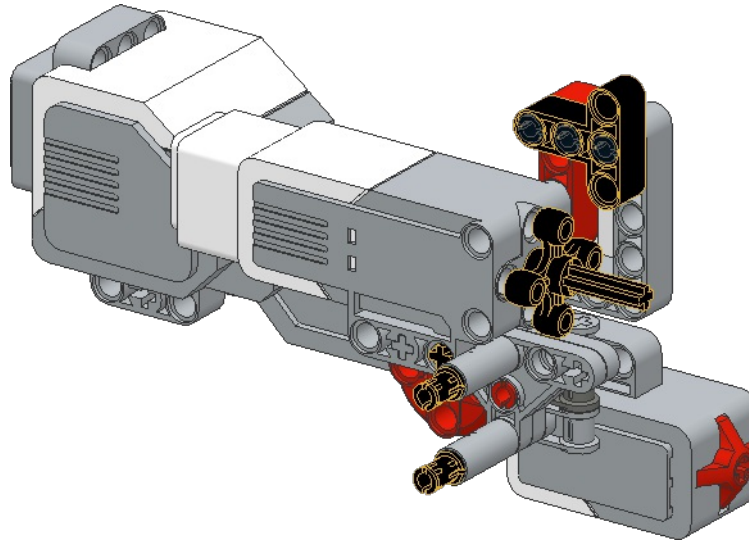
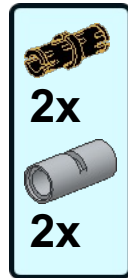
10



11

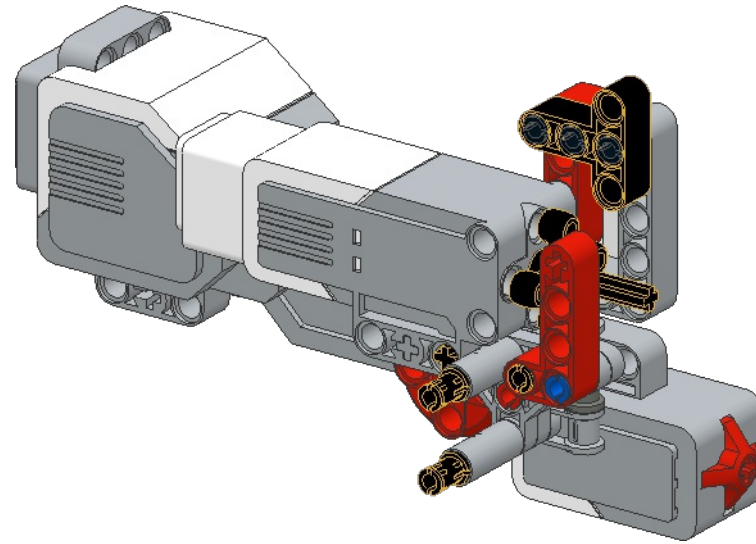
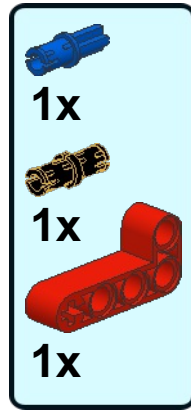


12

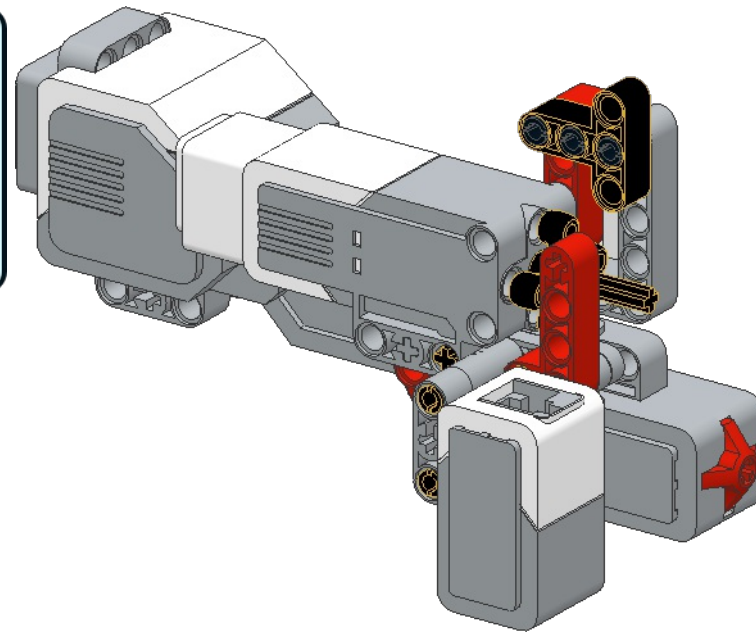
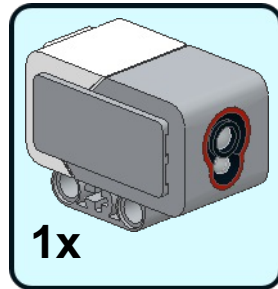




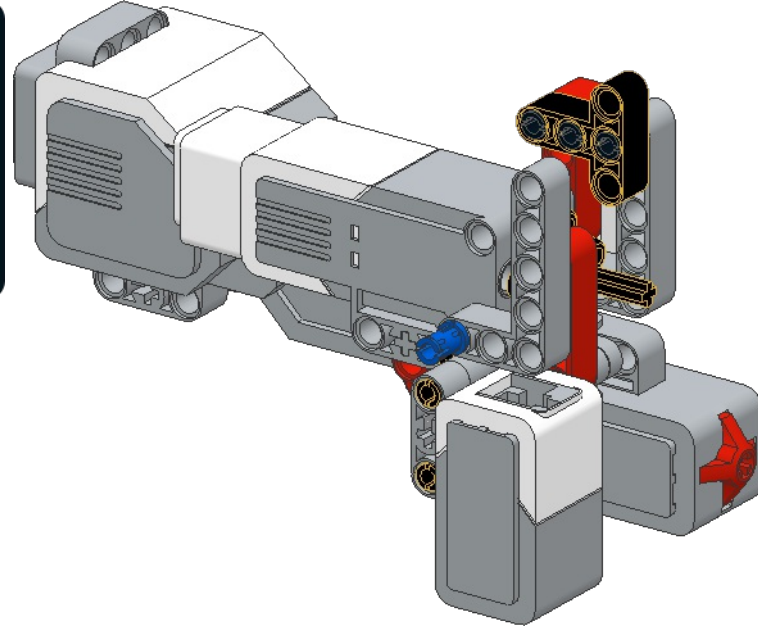
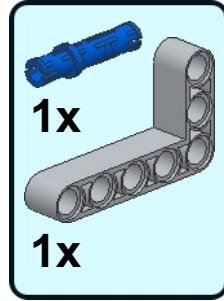
13



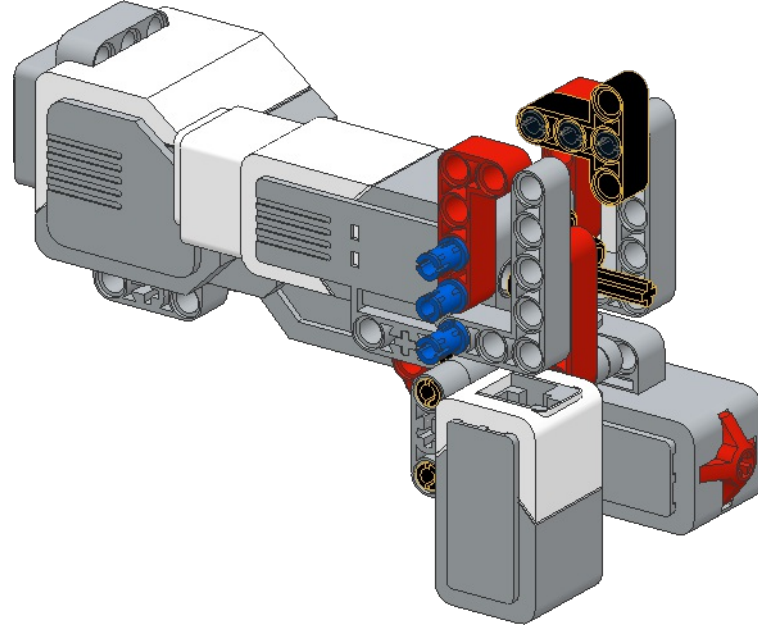
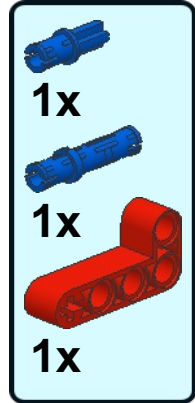
14



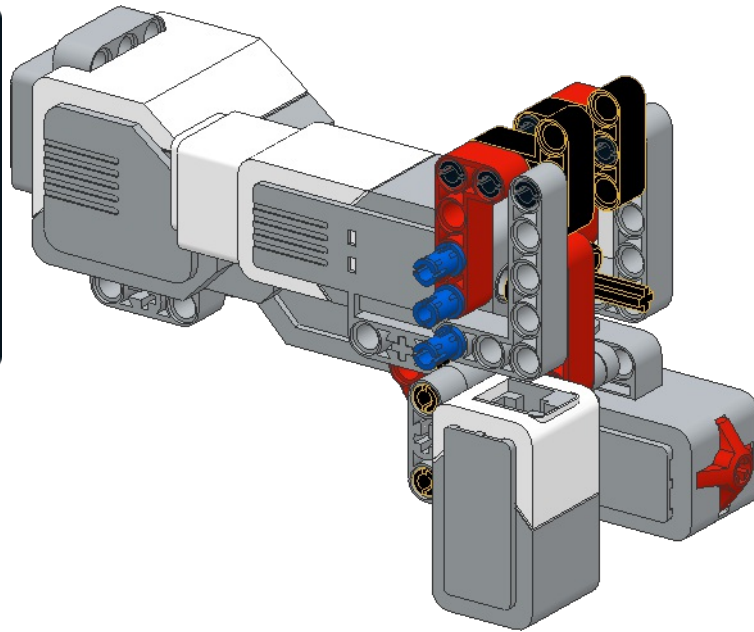
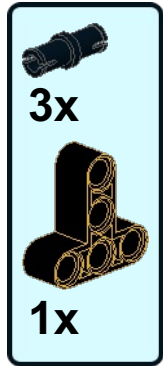
15



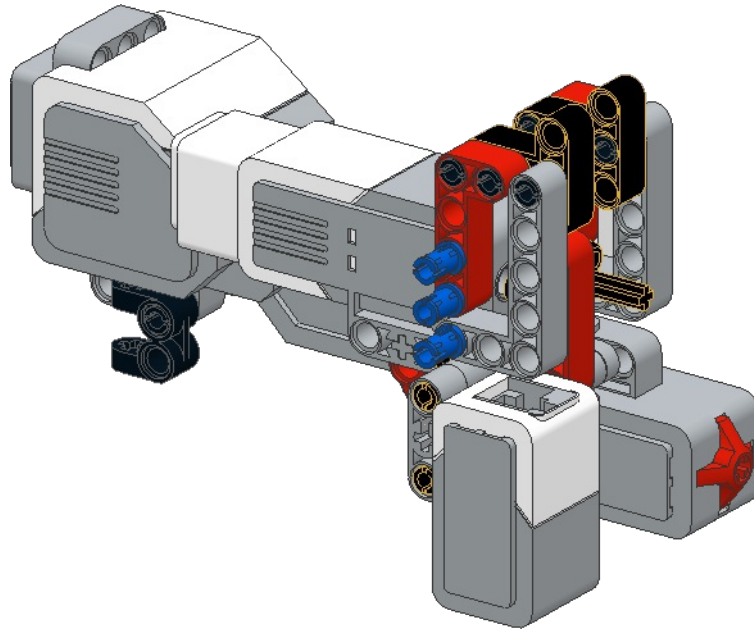
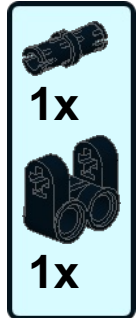
16



17

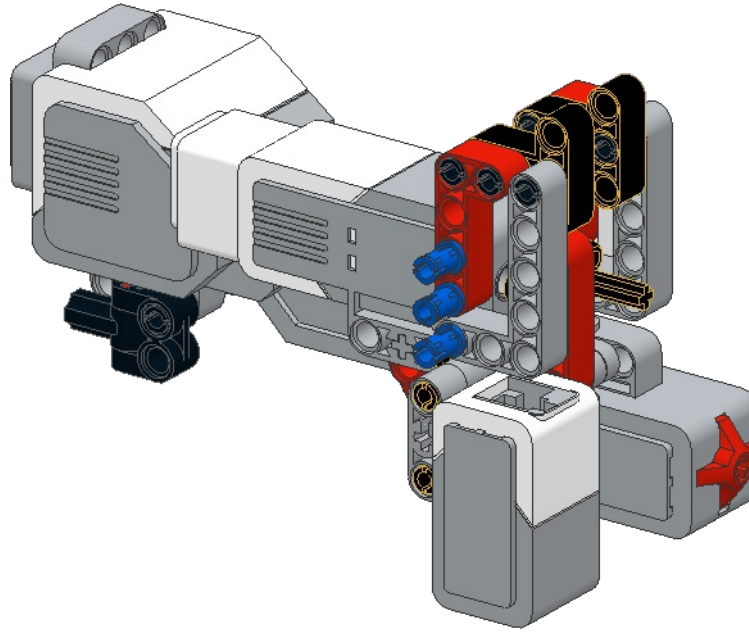
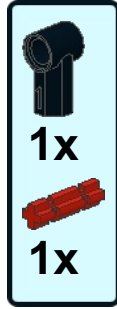


18

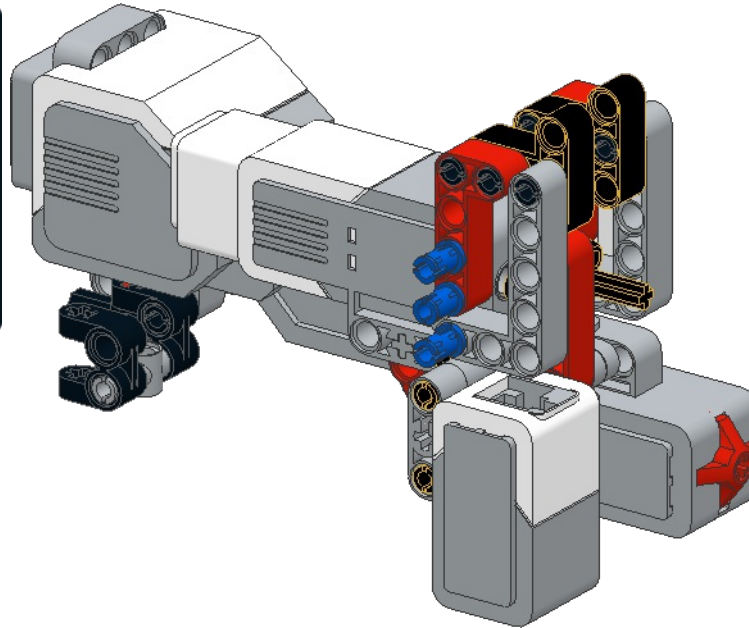
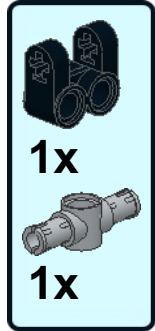




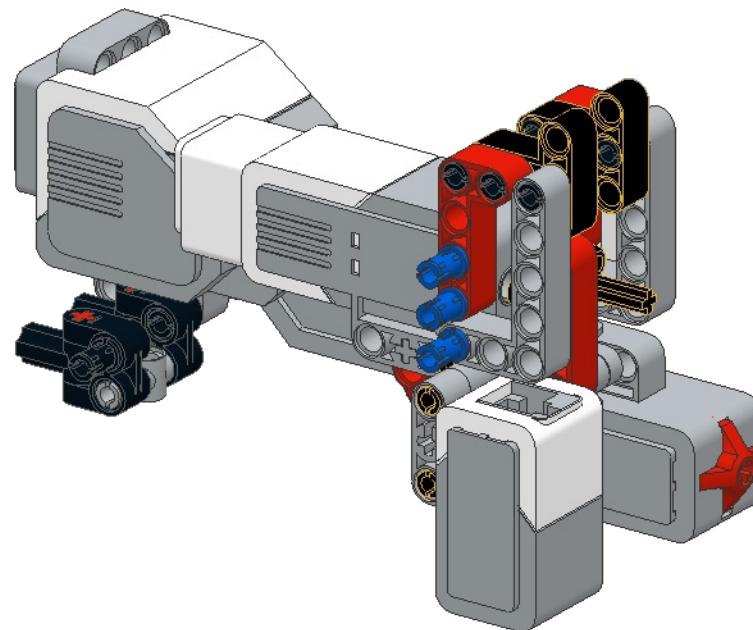
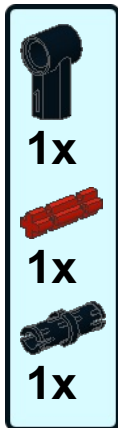
19



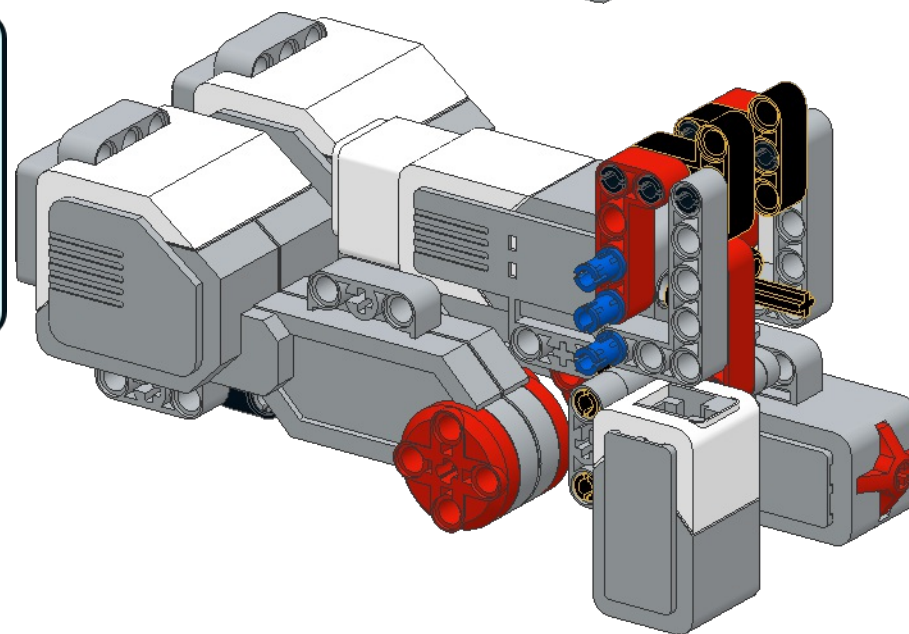
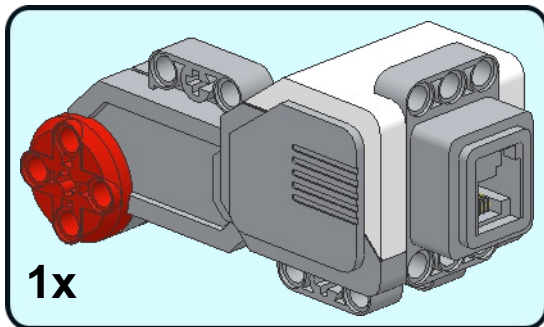
20



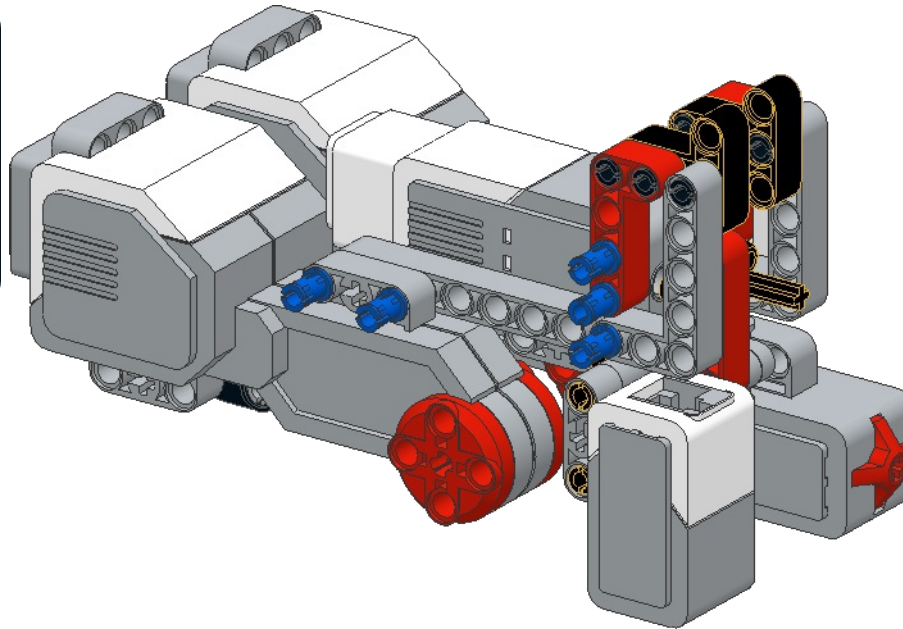
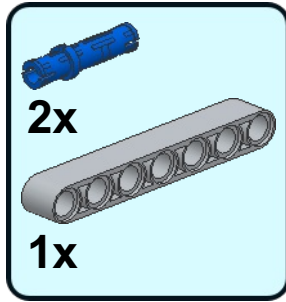
21



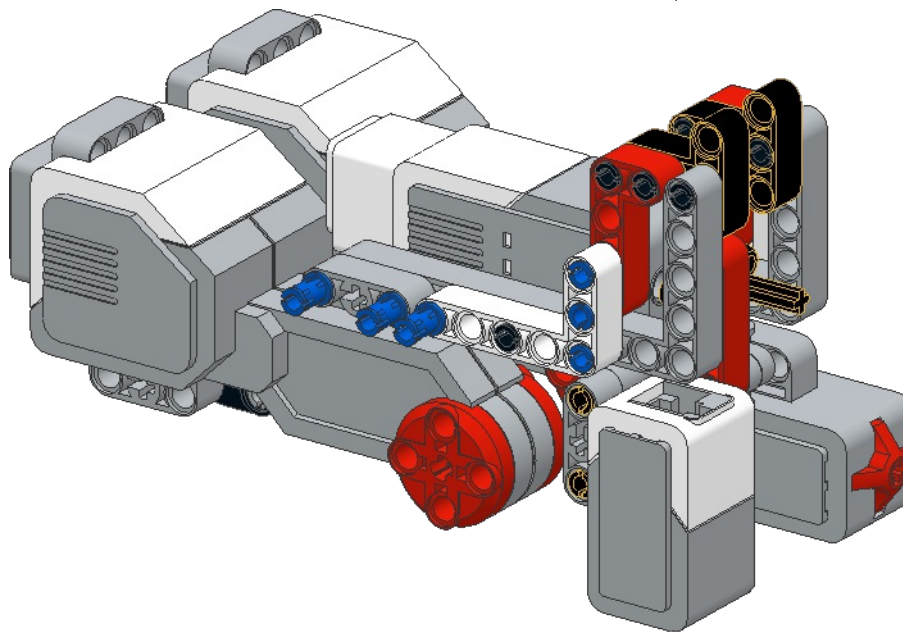
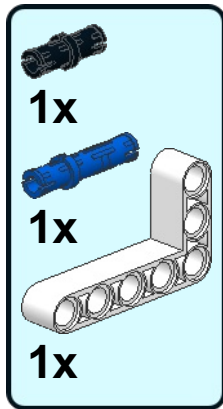
22



23

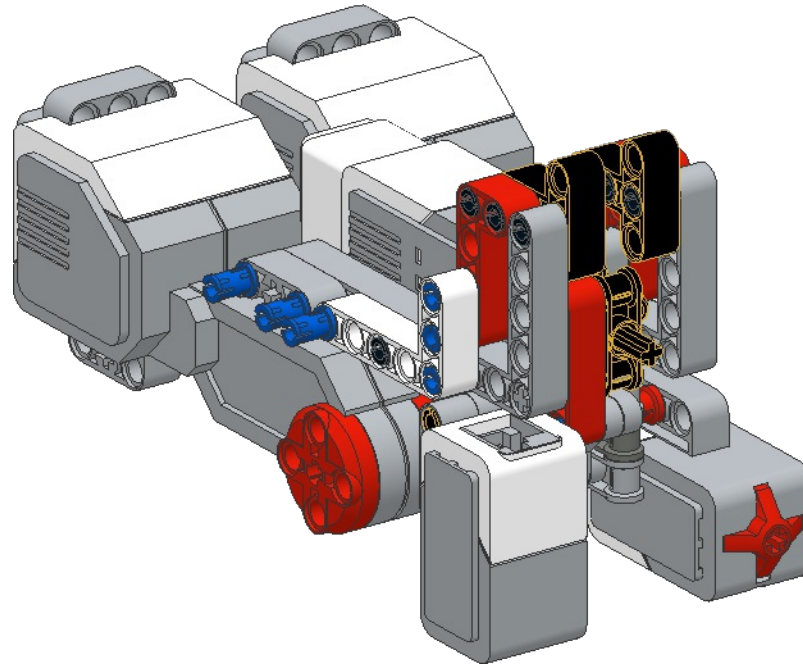
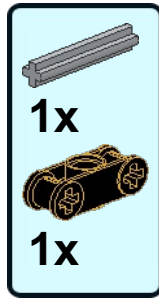


24

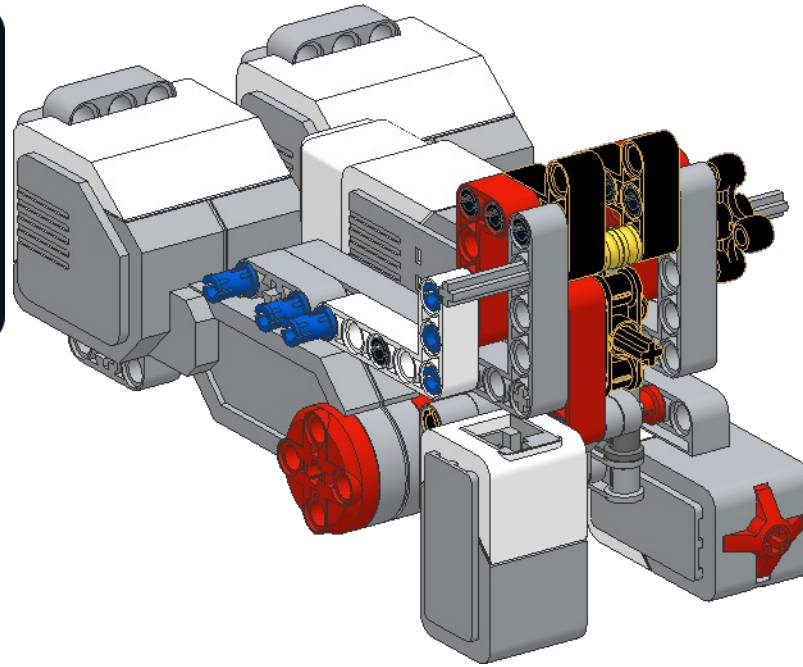
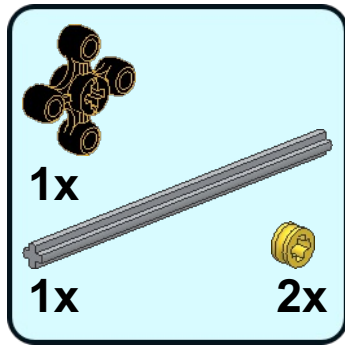




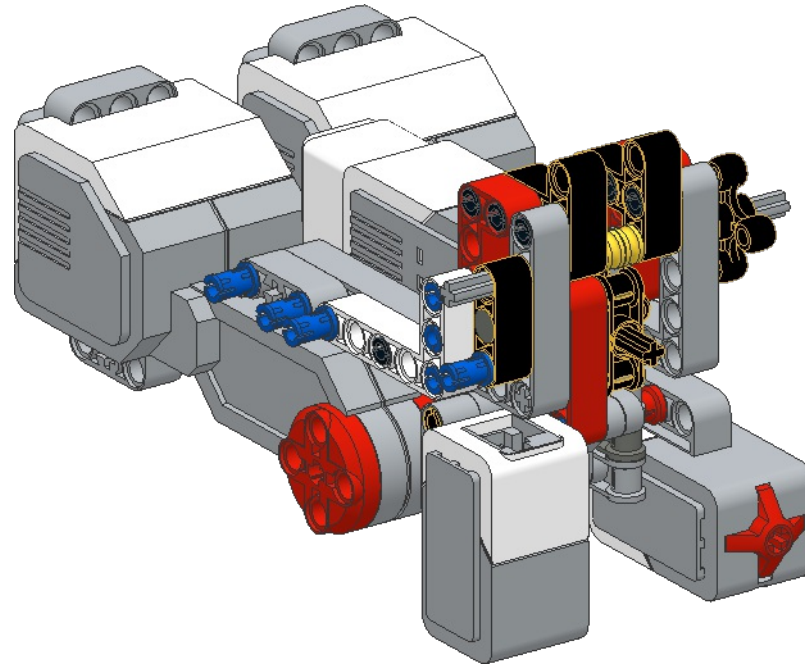
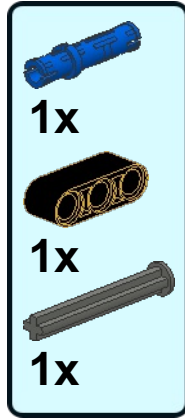
25



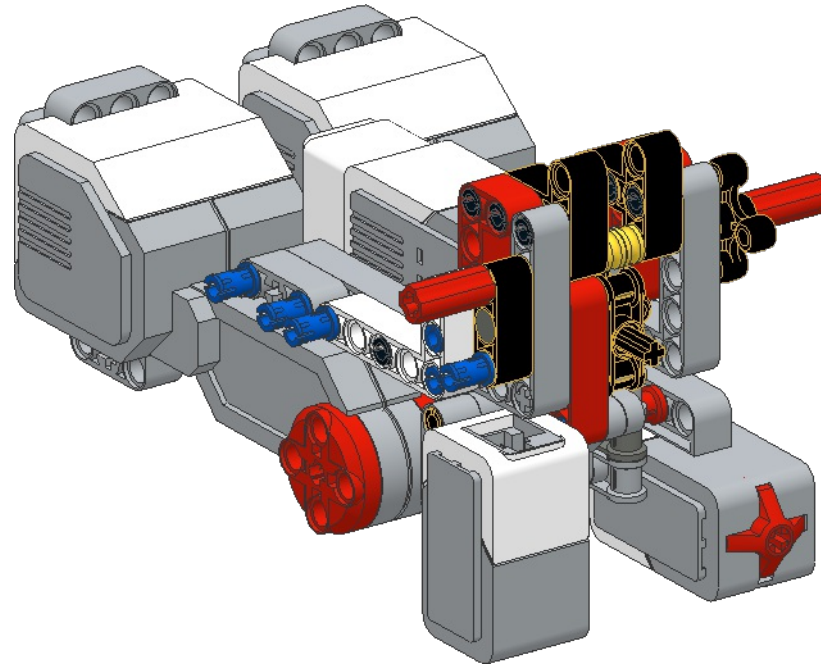
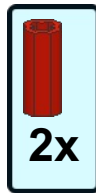
26



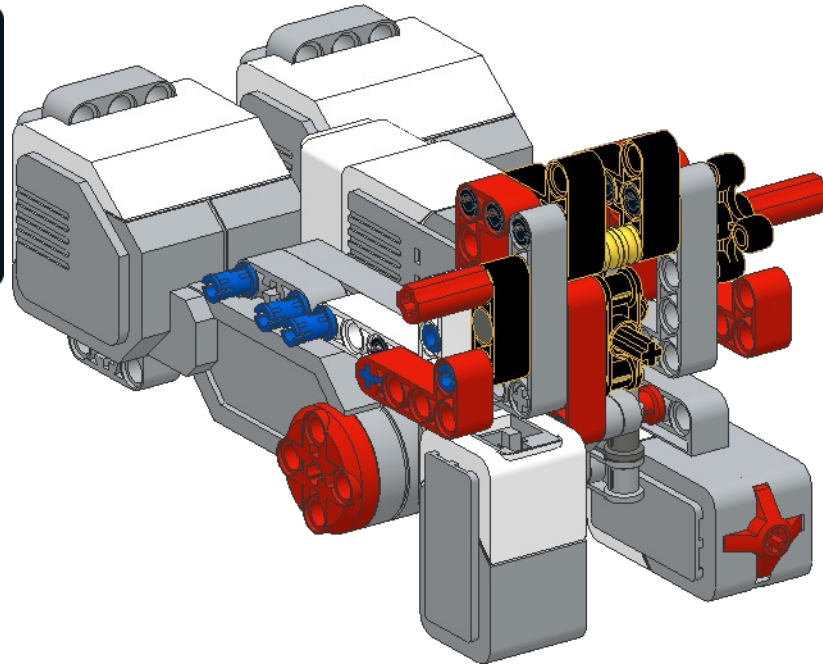
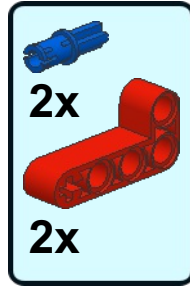
27



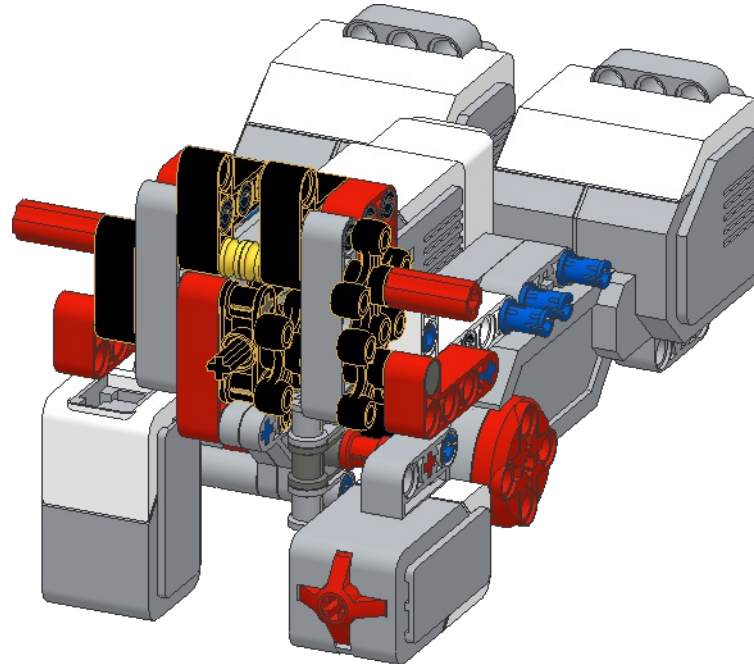
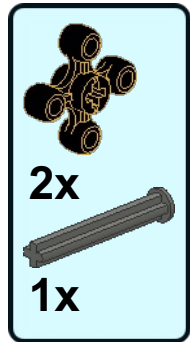
28



29

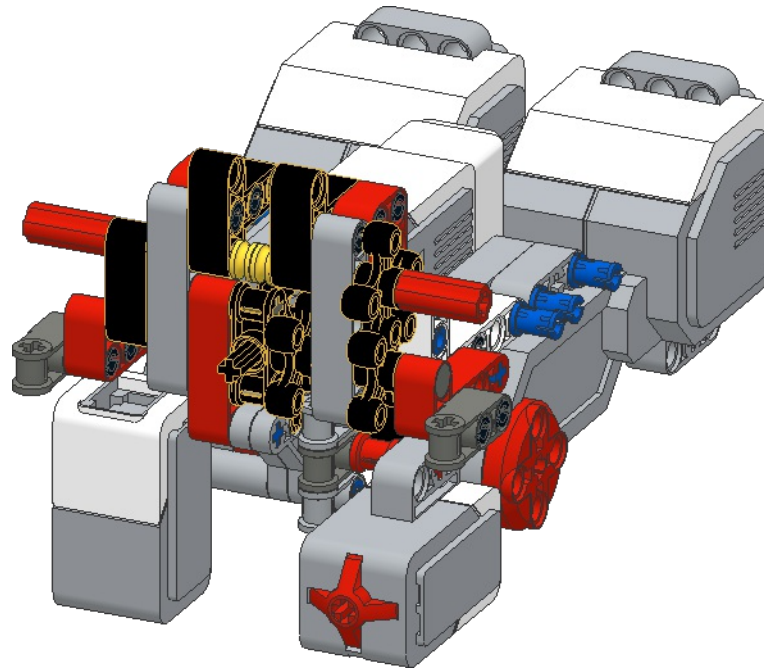


30

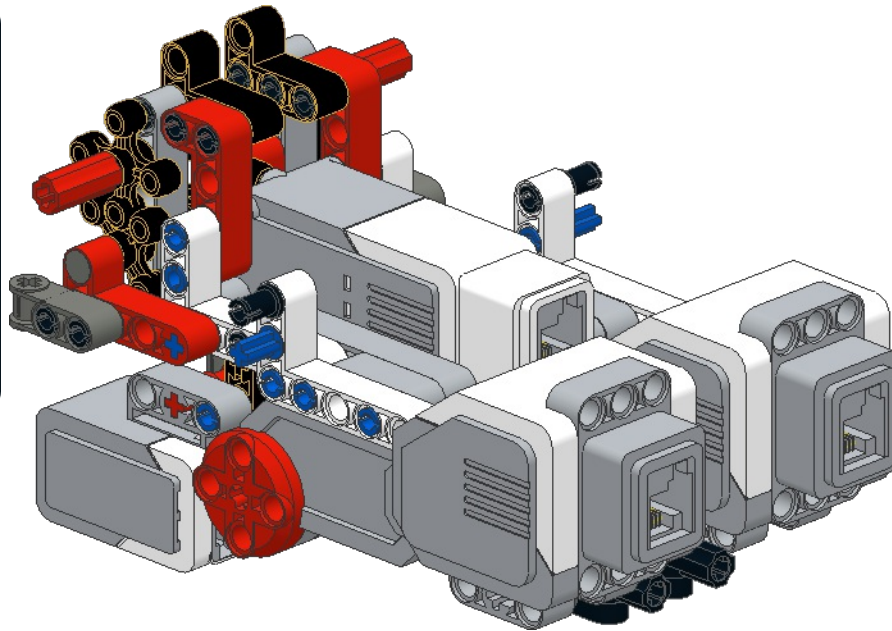
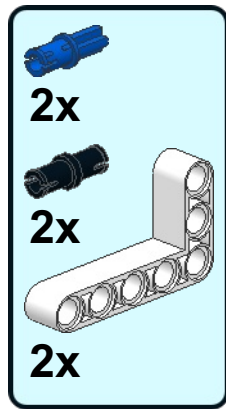




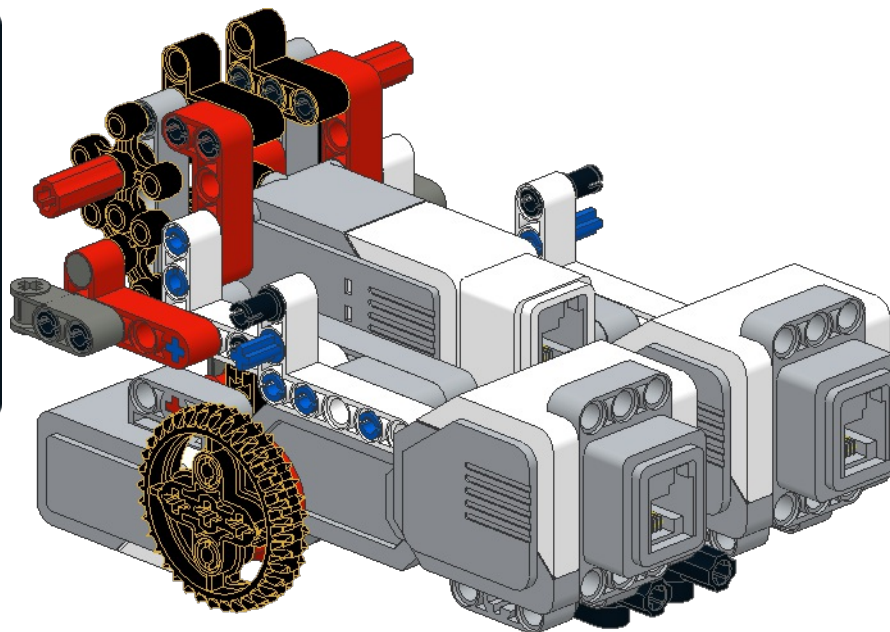
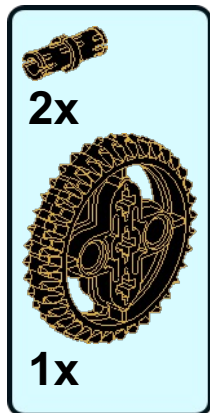
31



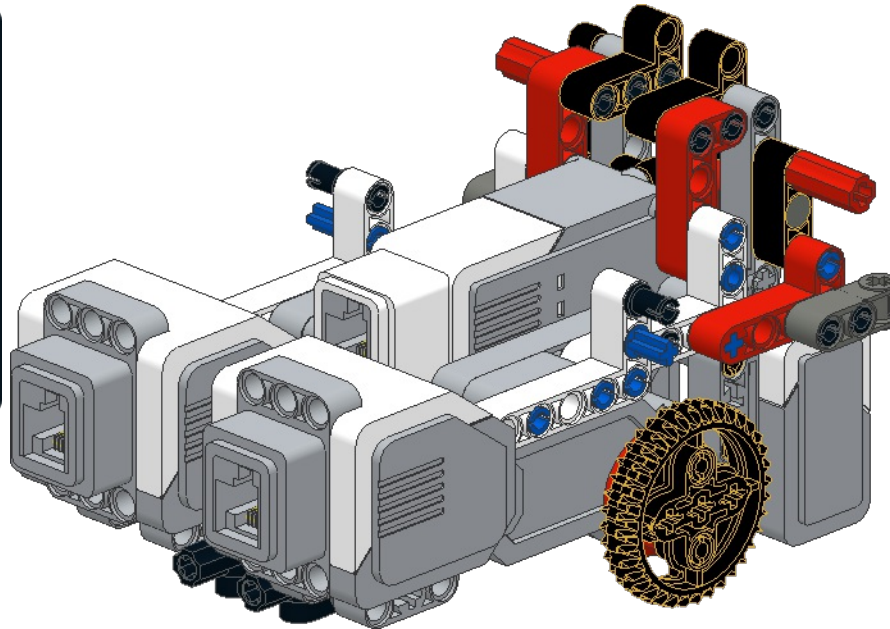
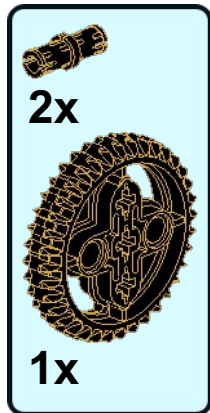
32



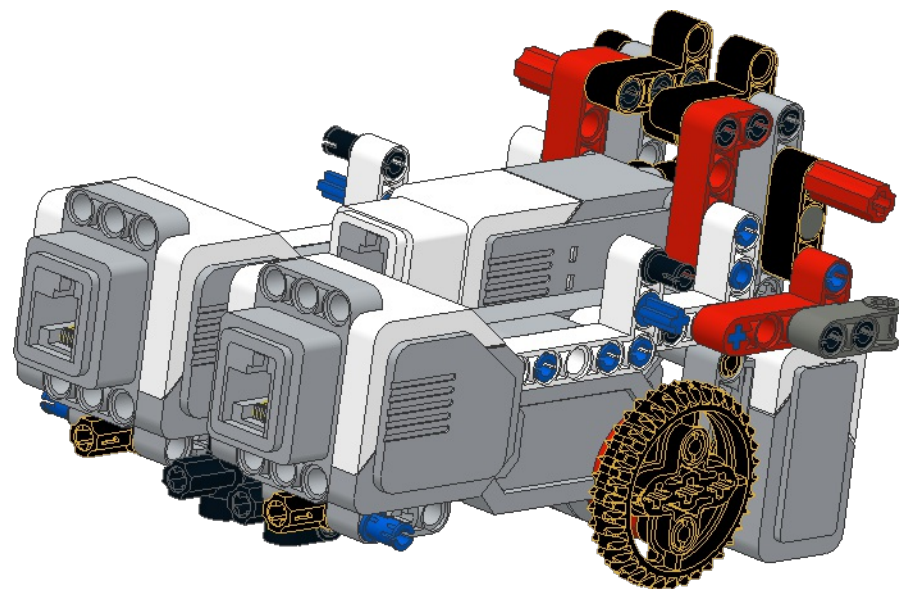
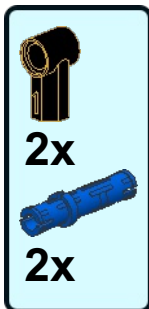
33



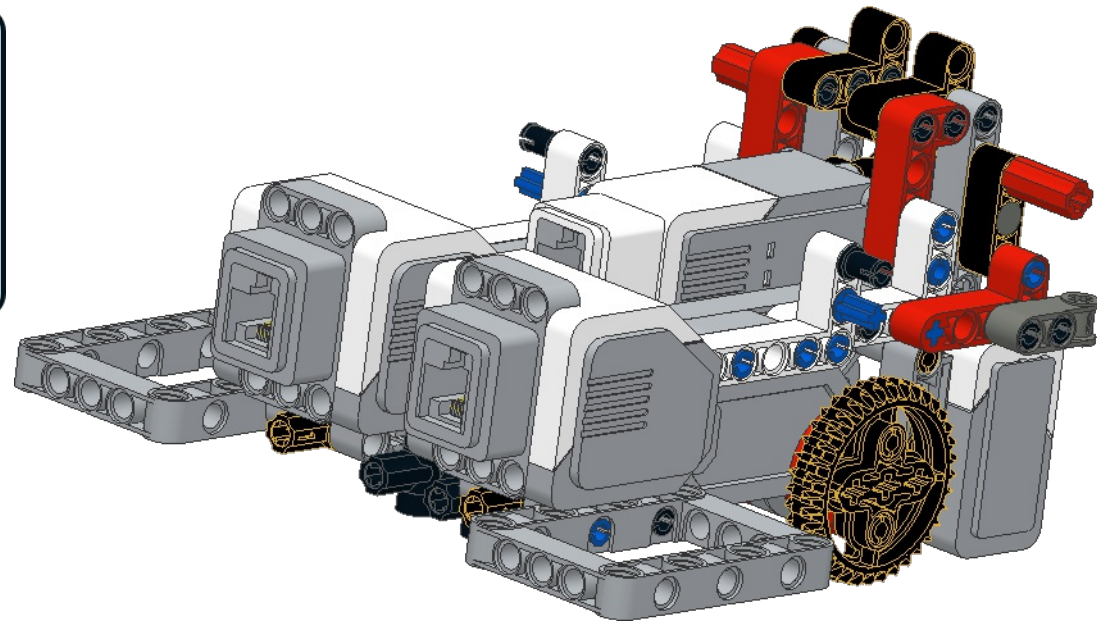
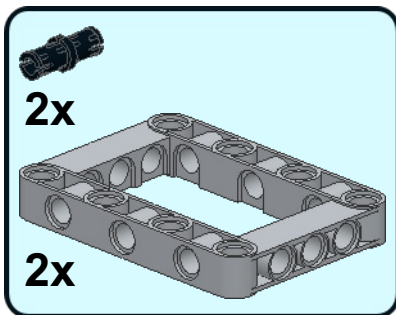
34



35

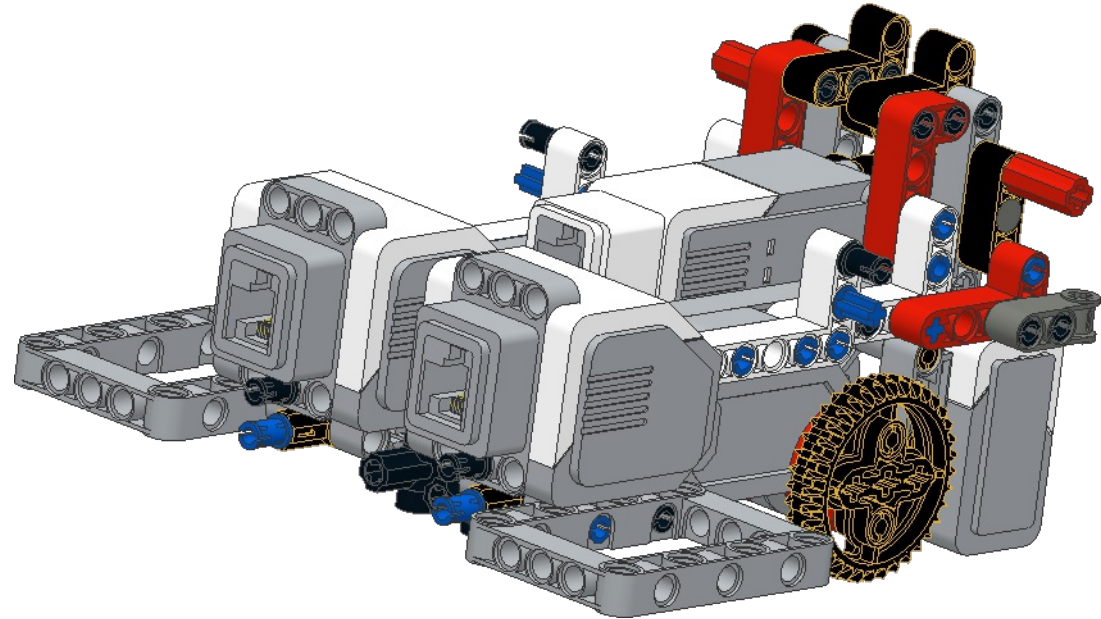


36

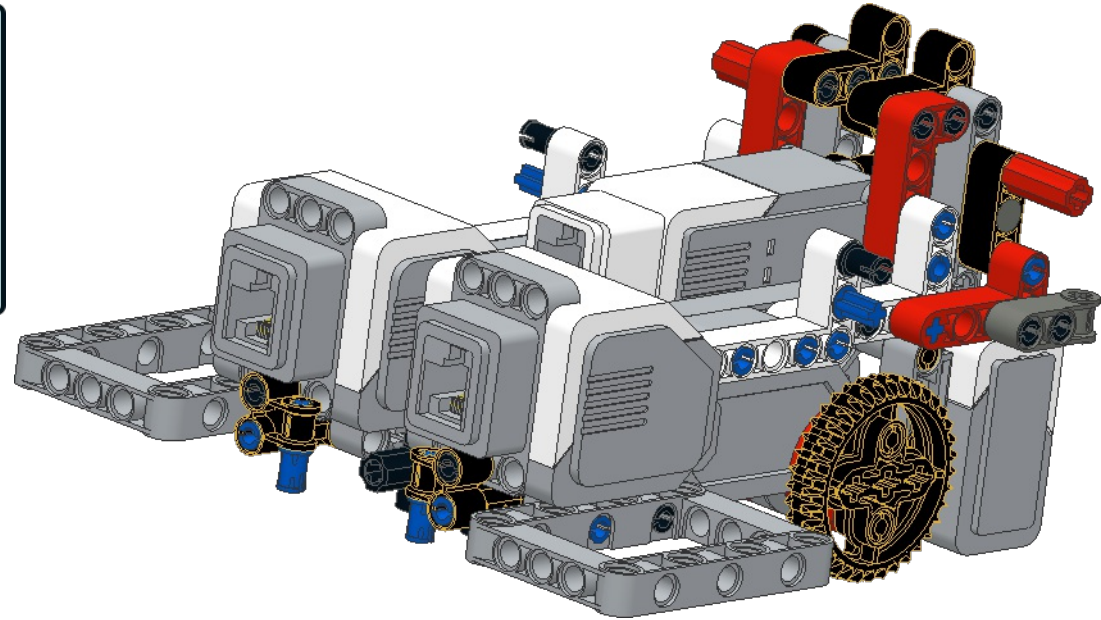




37

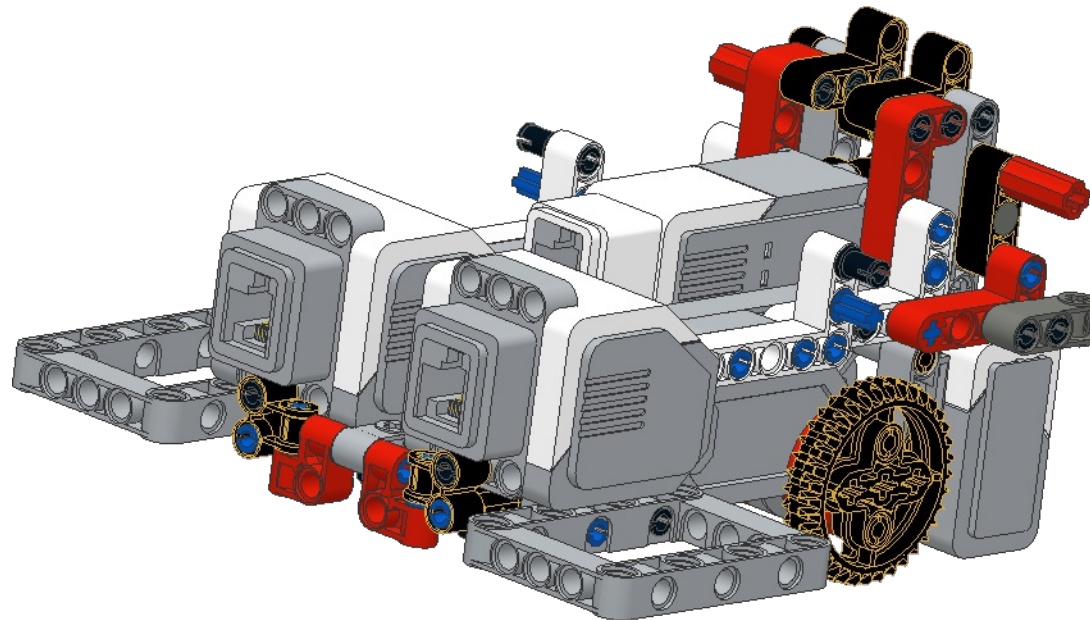


38

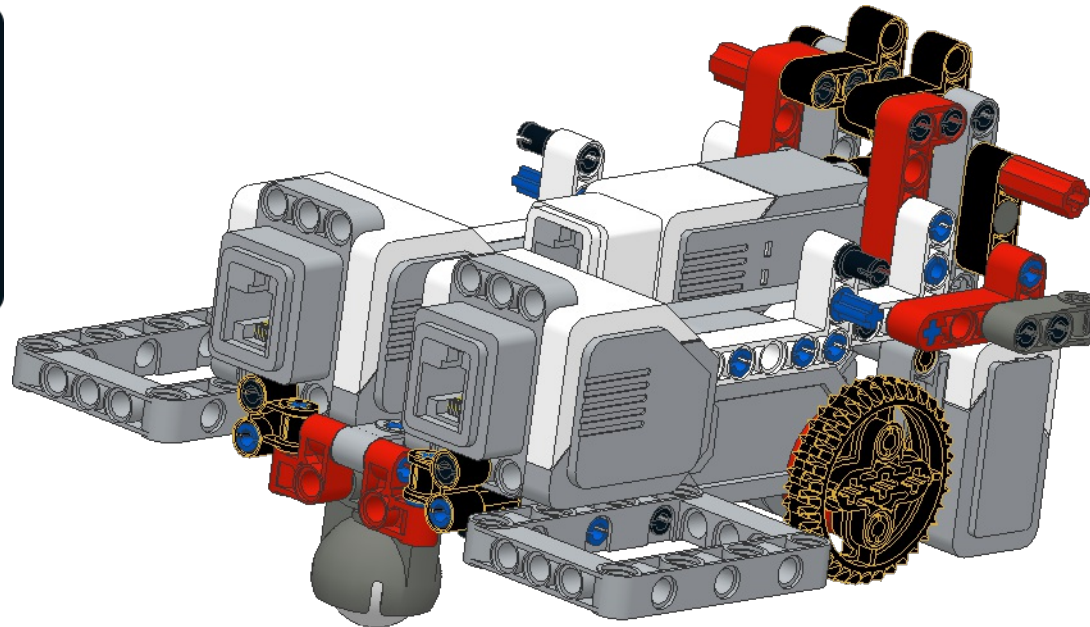
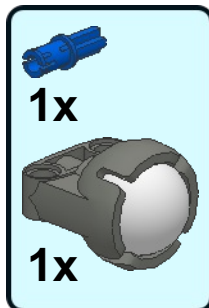




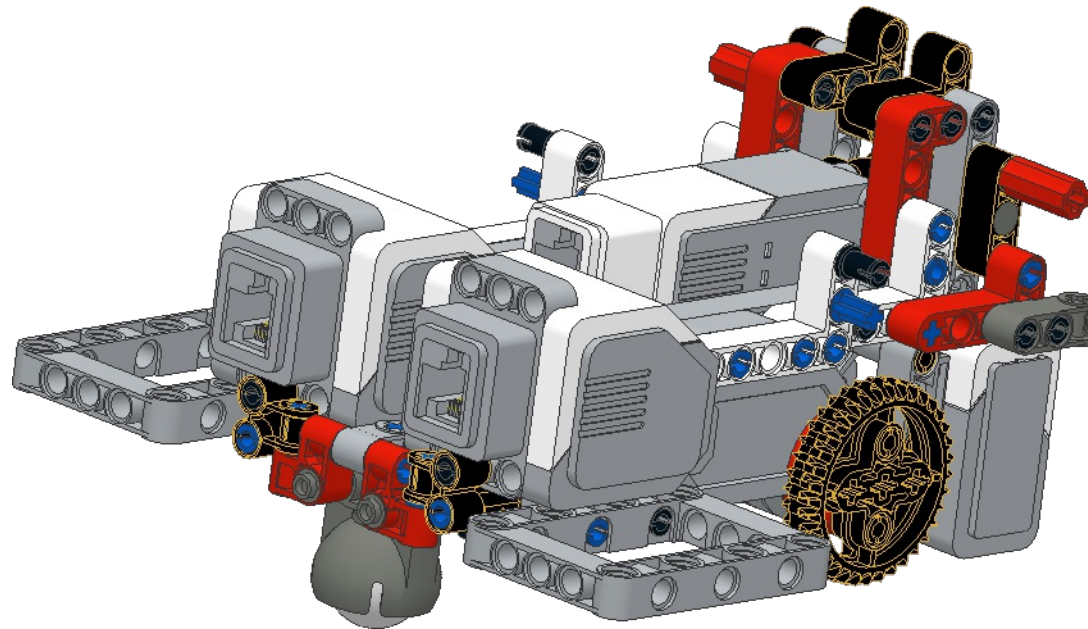
39



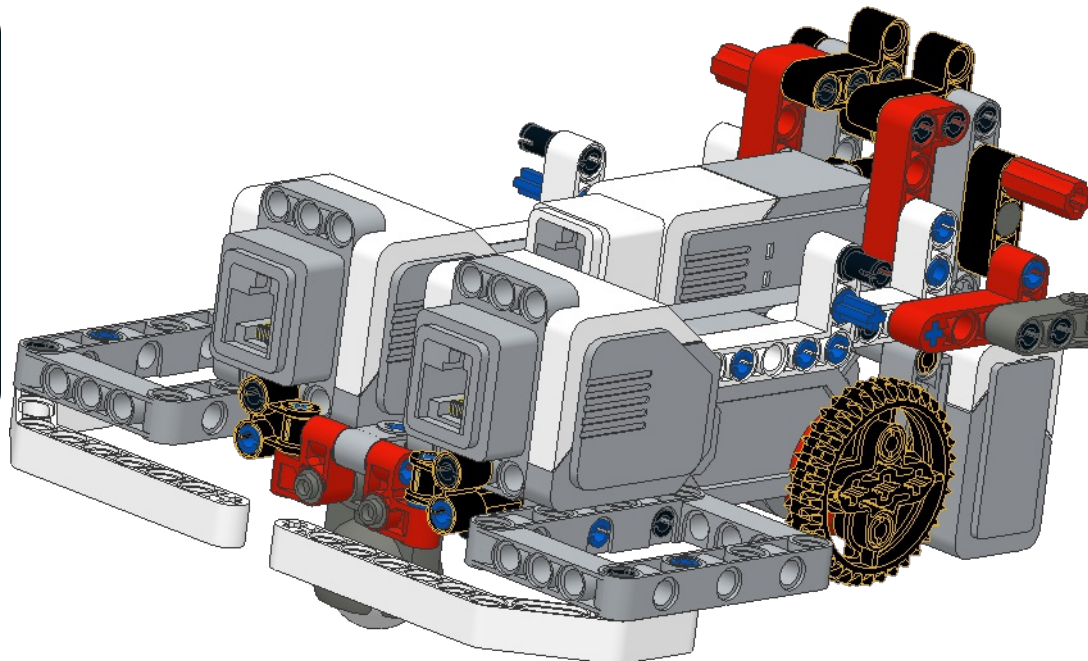
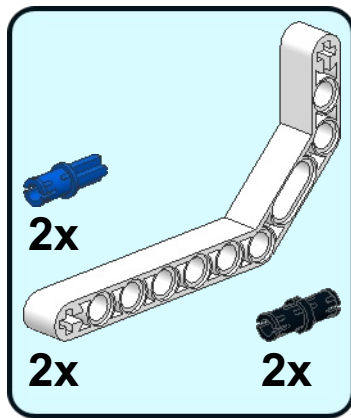
40



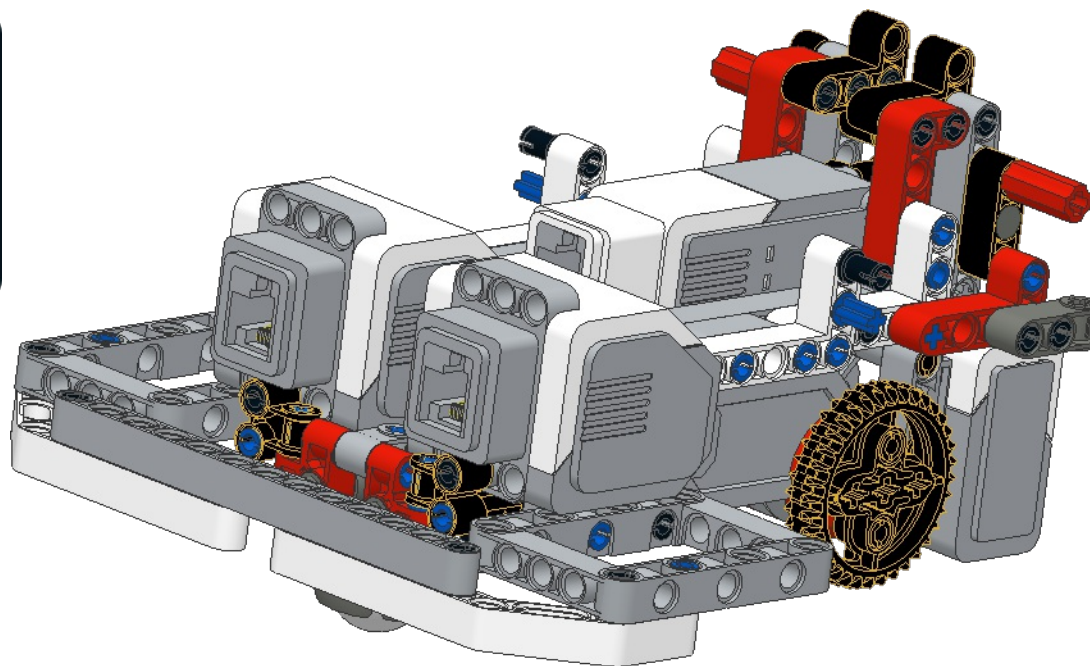
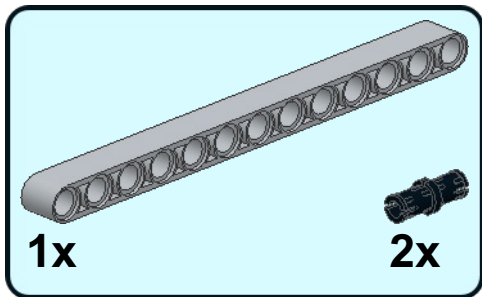
41



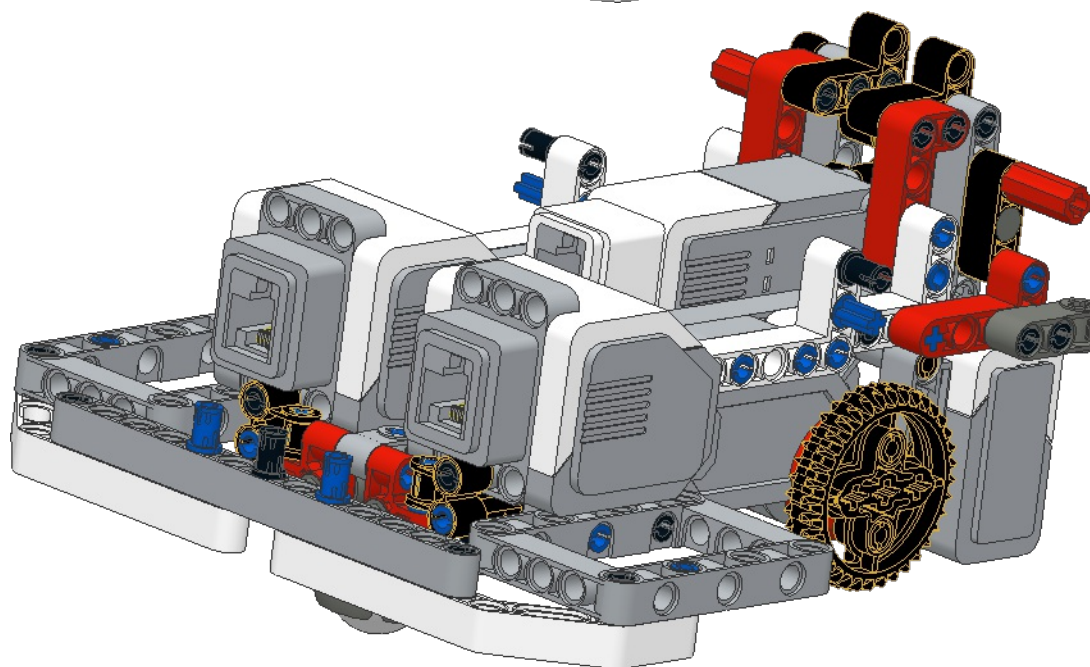
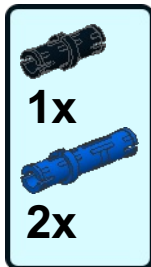
42



43

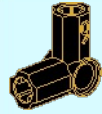


44





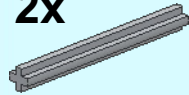
45



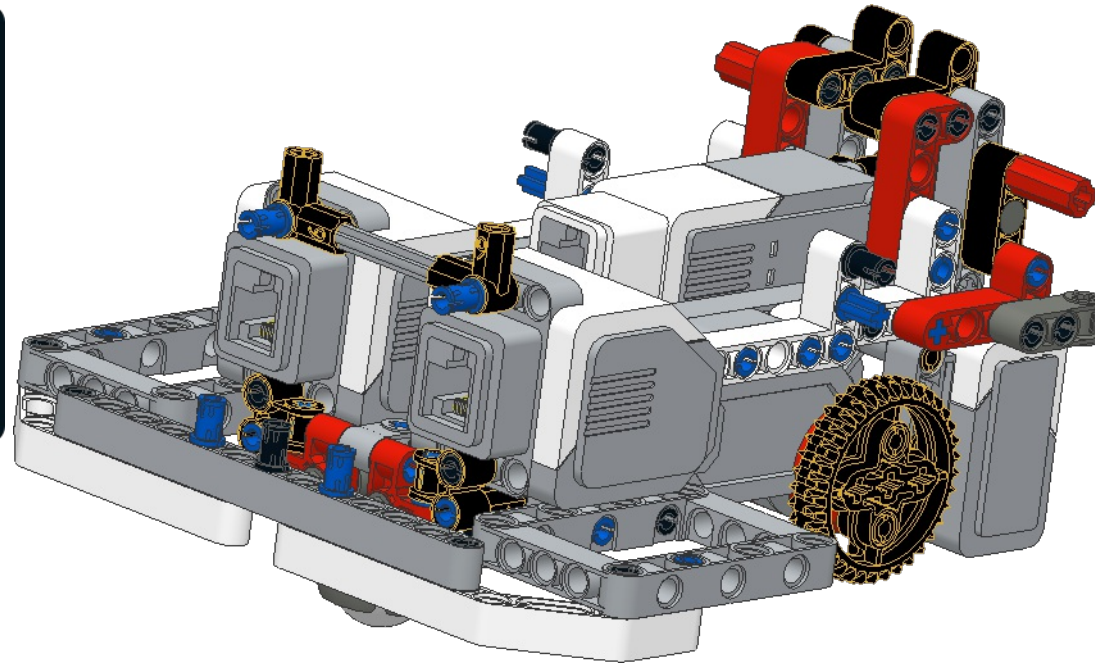
2x



2x



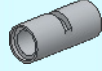
1x



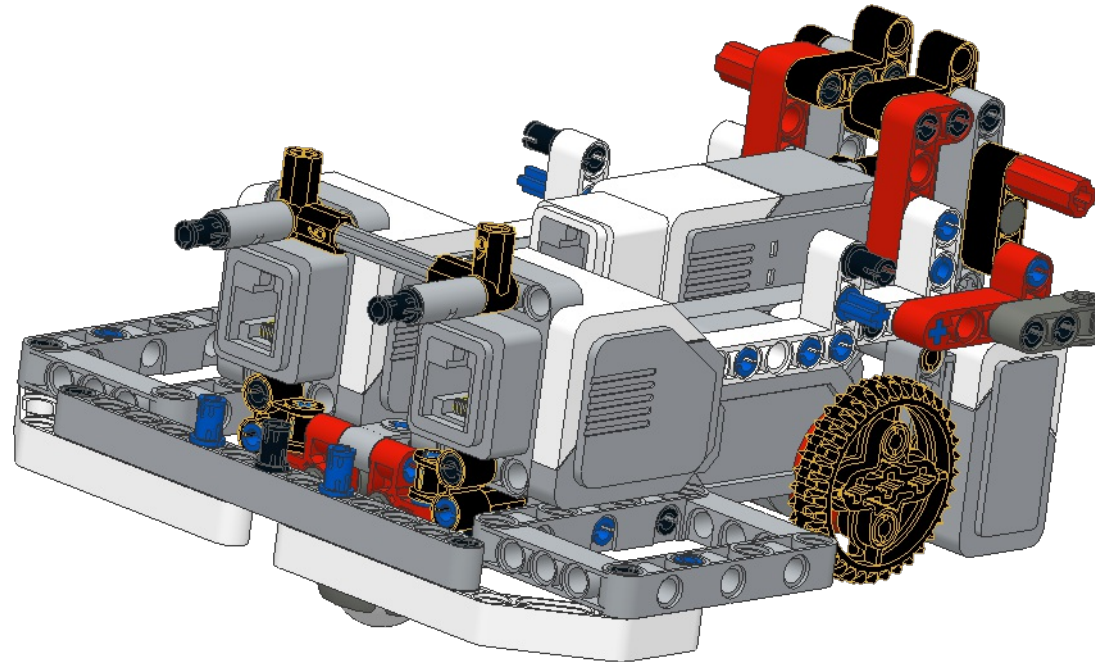
46



2x

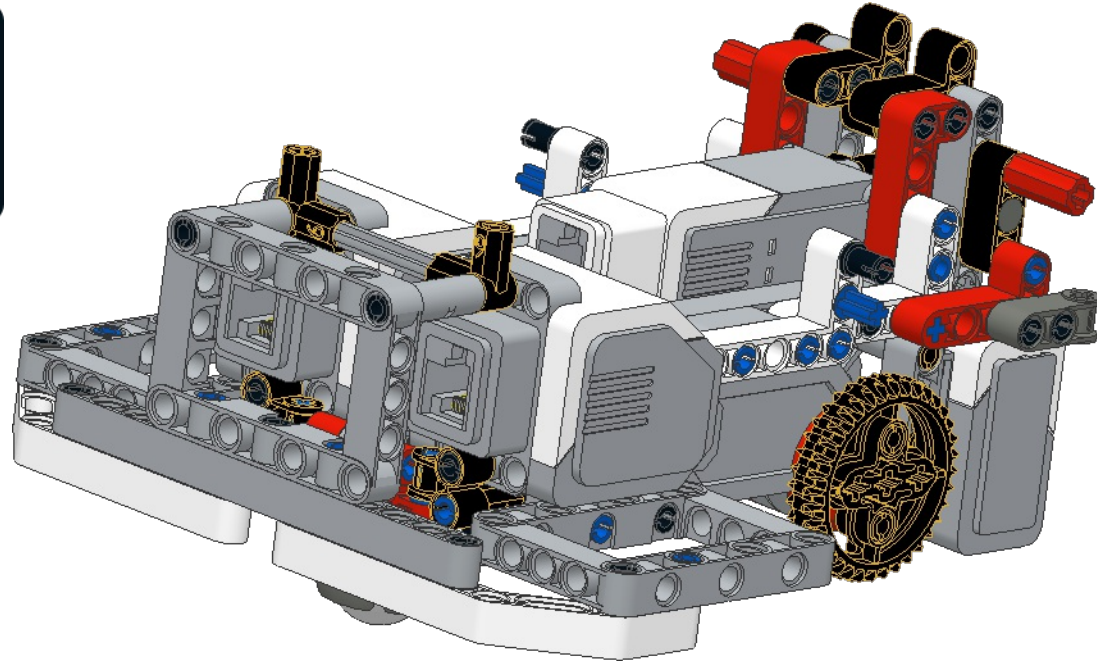
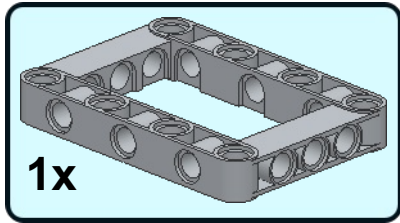


2x

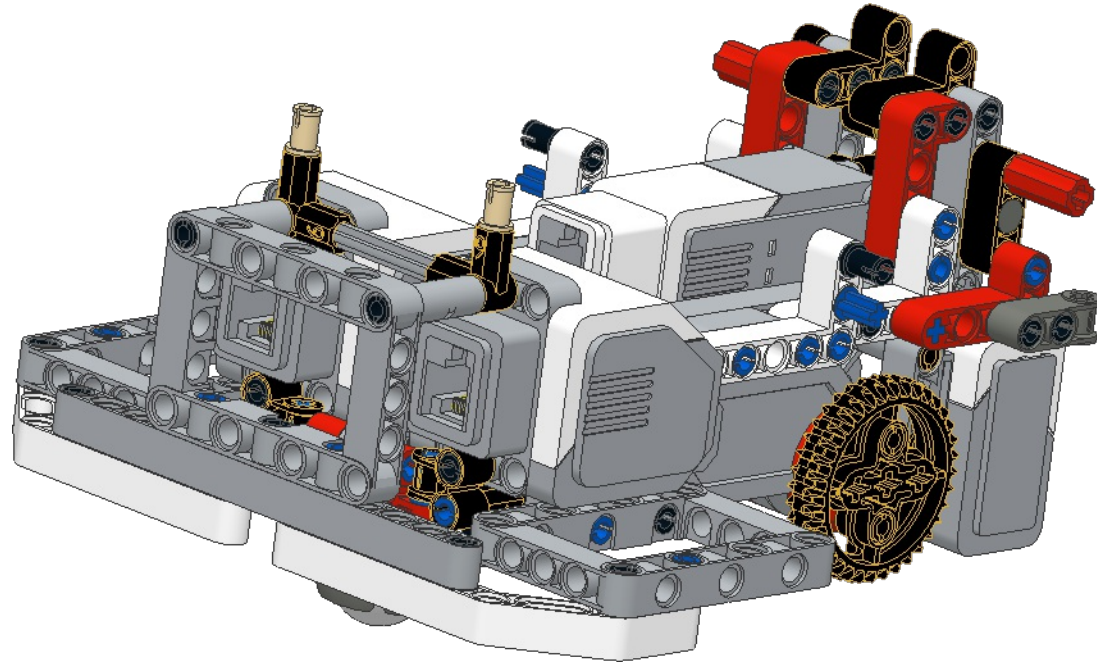




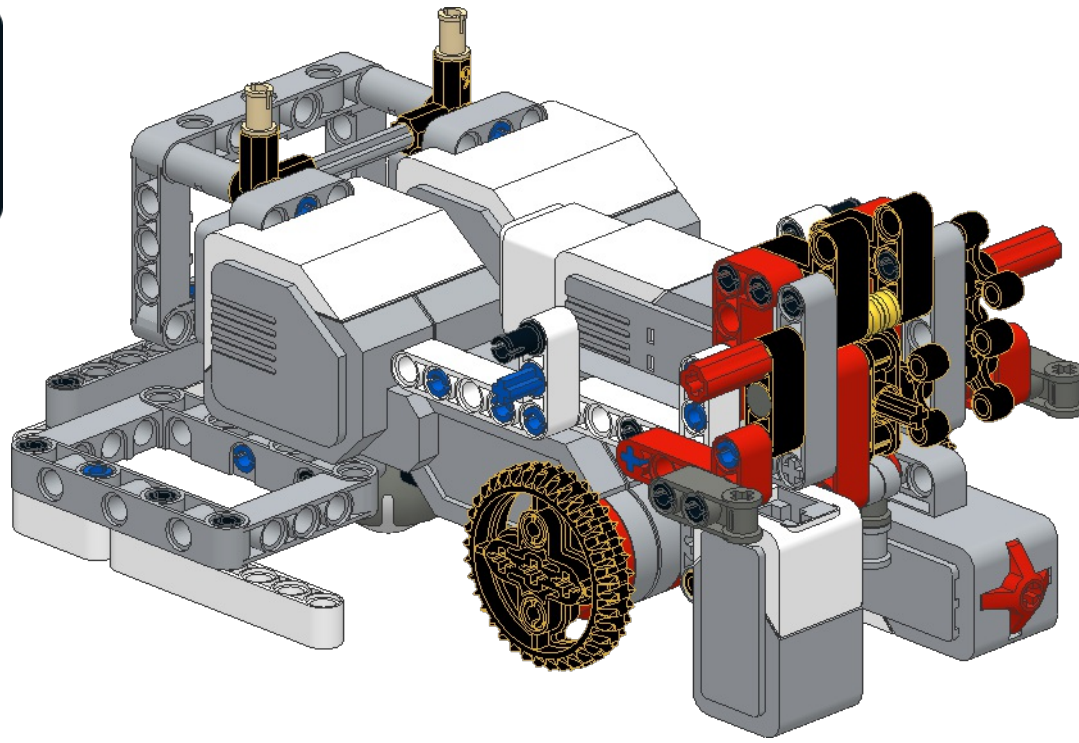
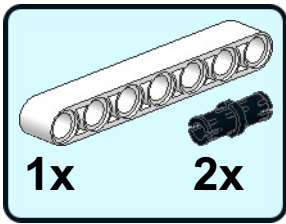
47



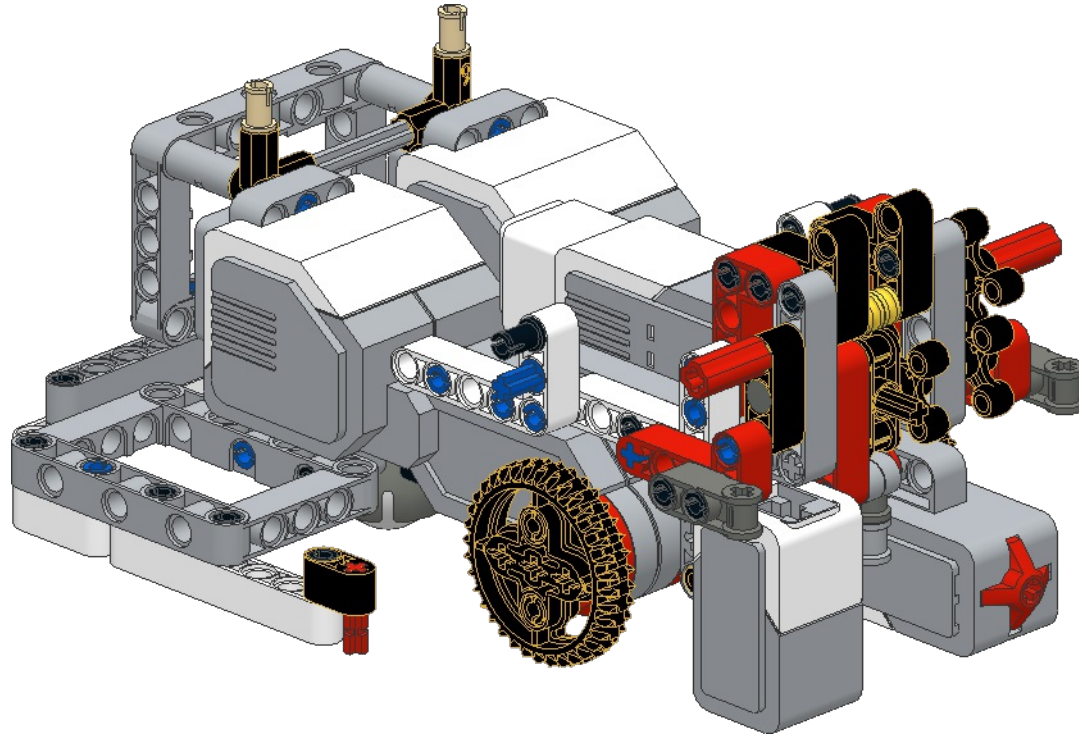
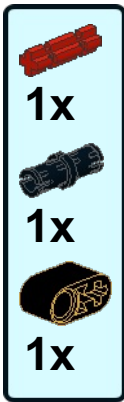
48



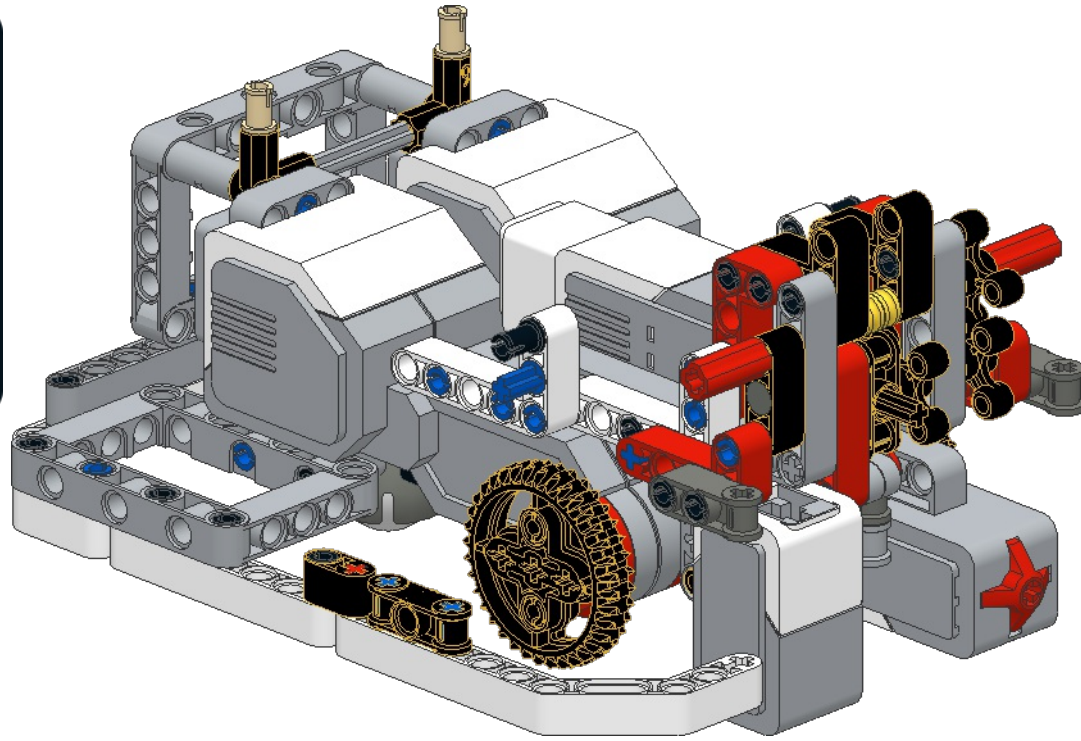
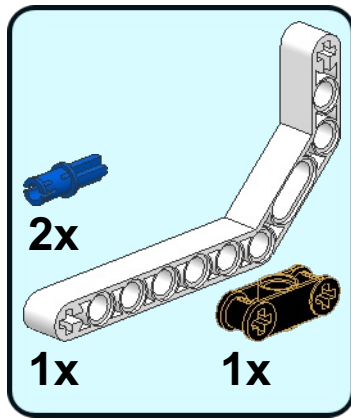
49



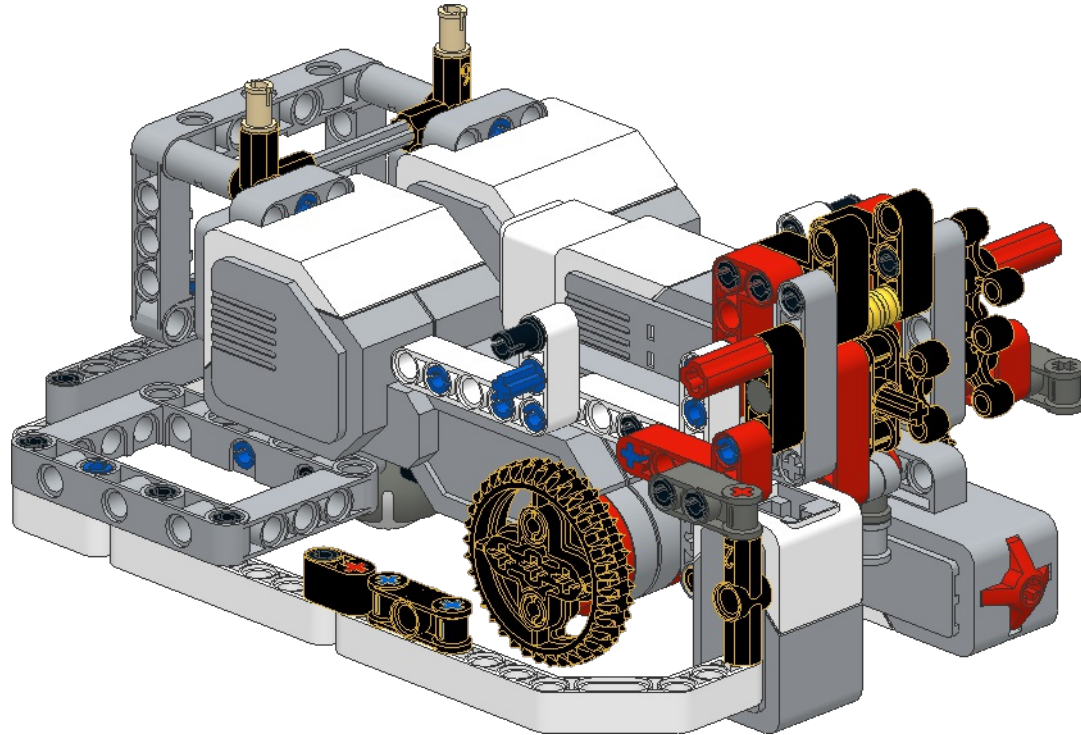
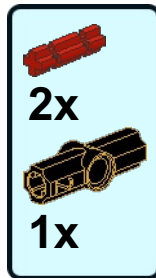
50



51

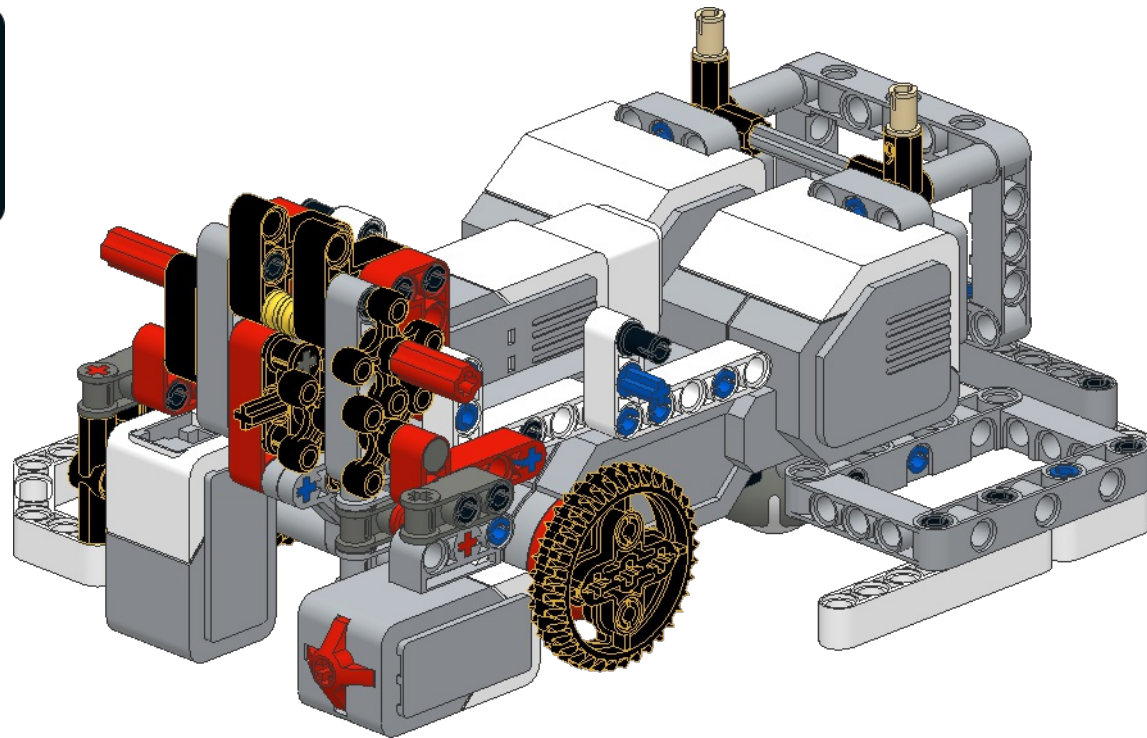
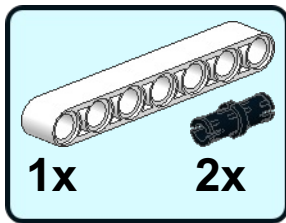


52

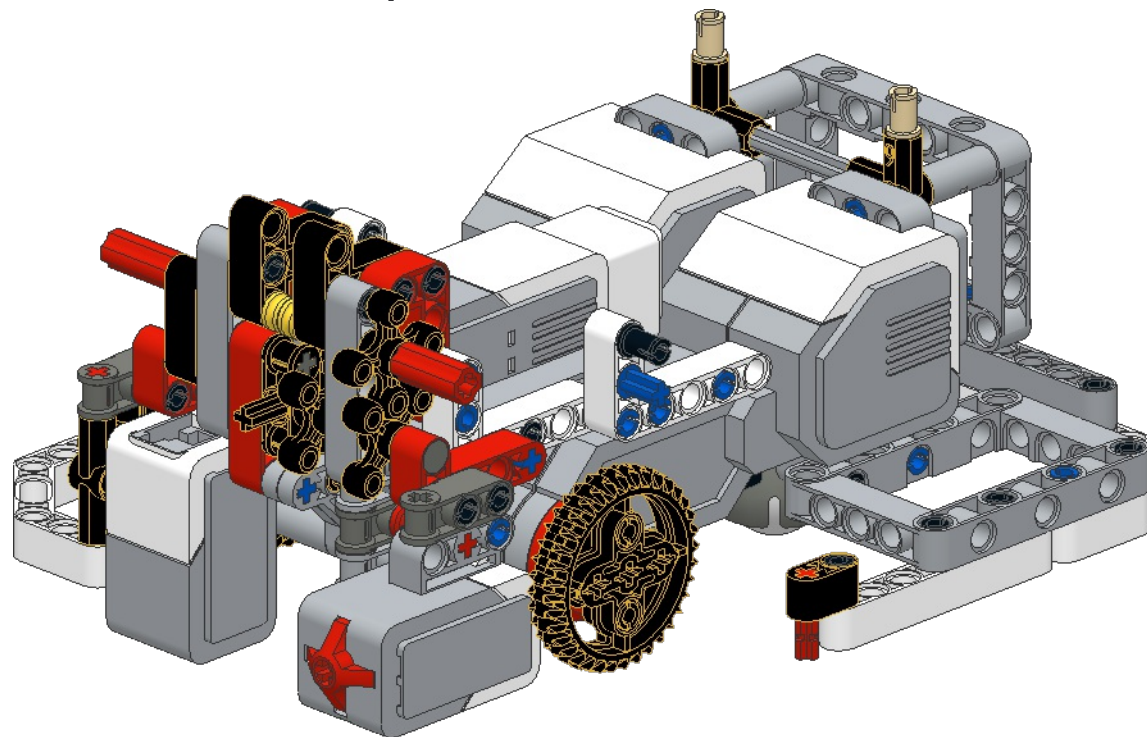
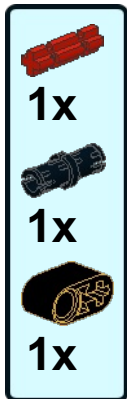




53

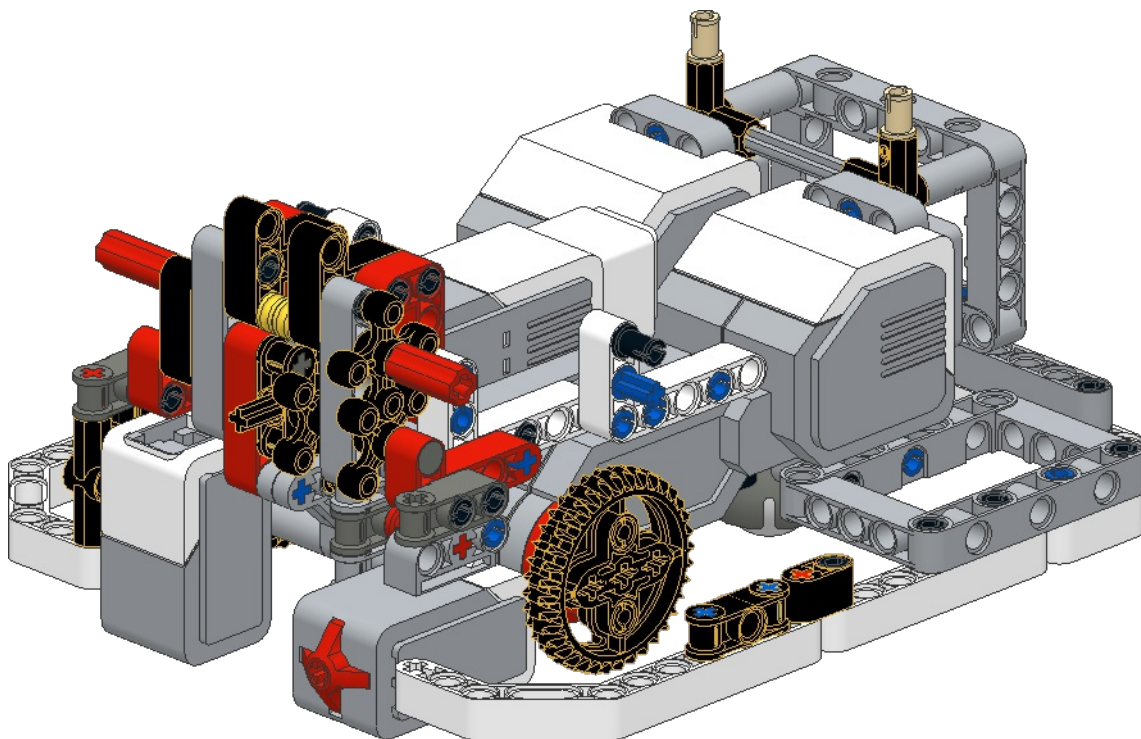
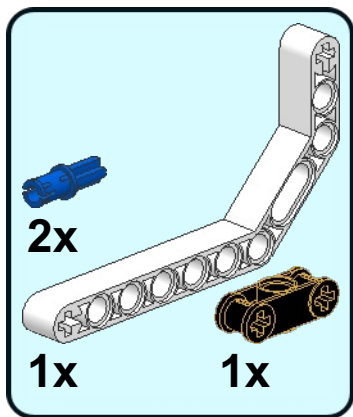


54

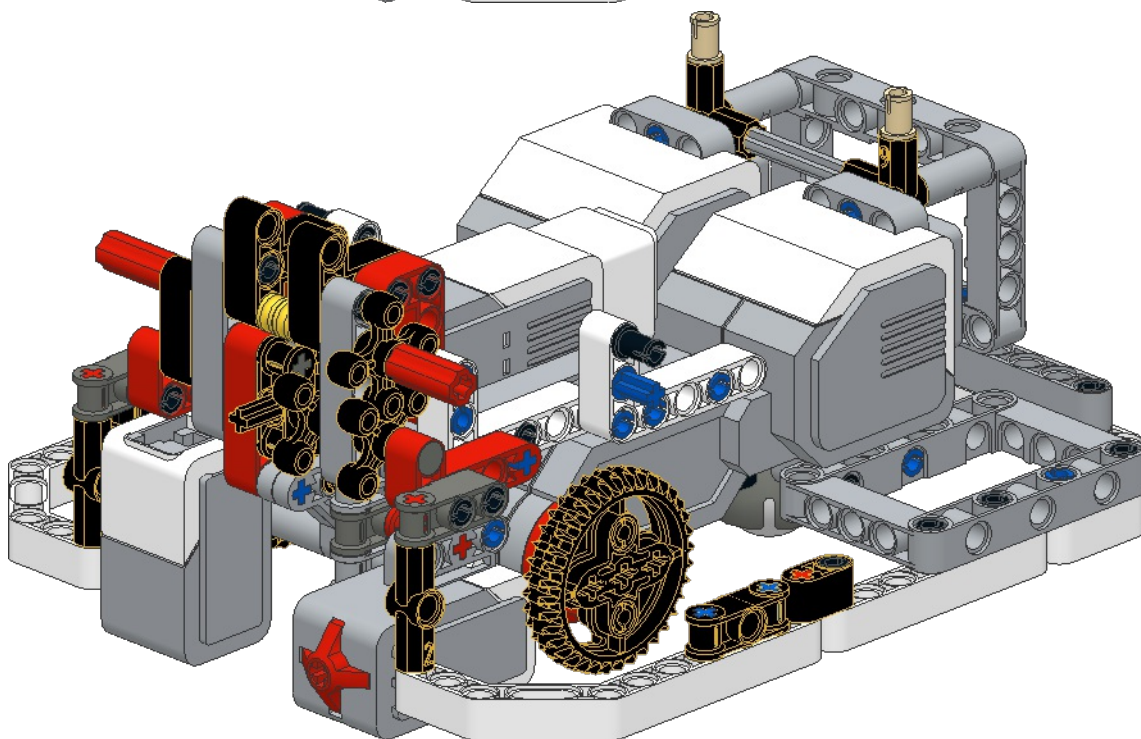




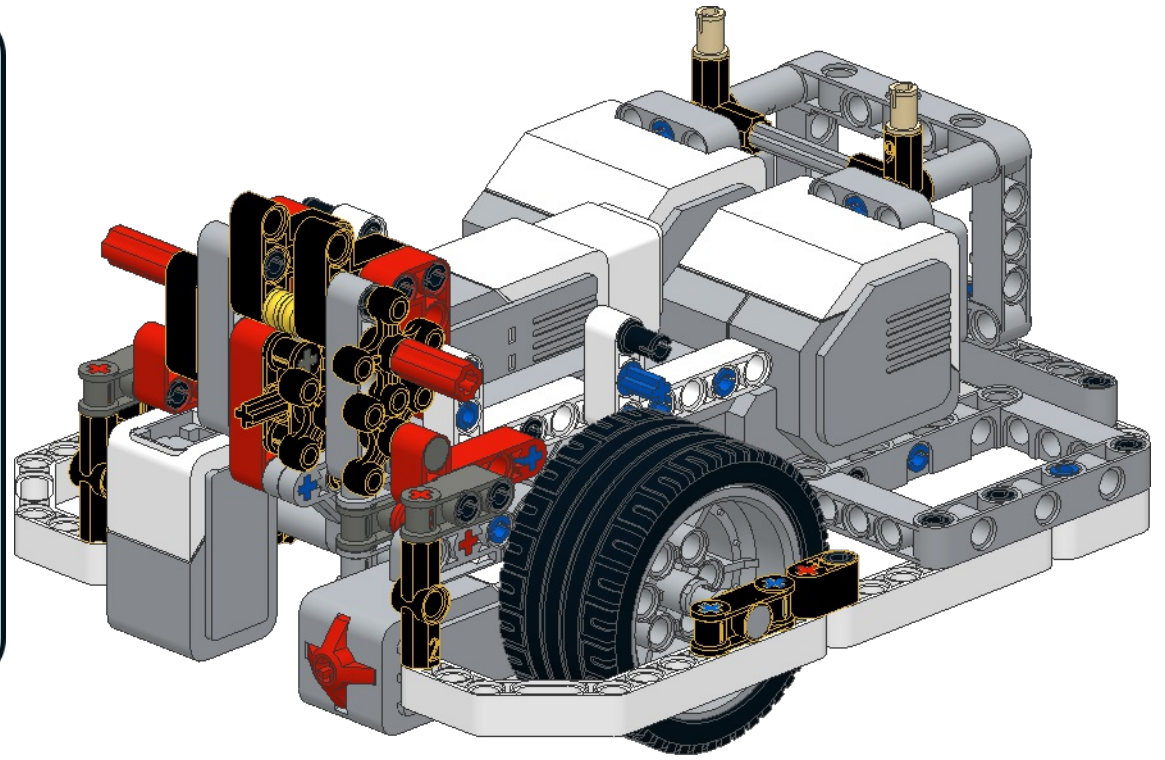
55



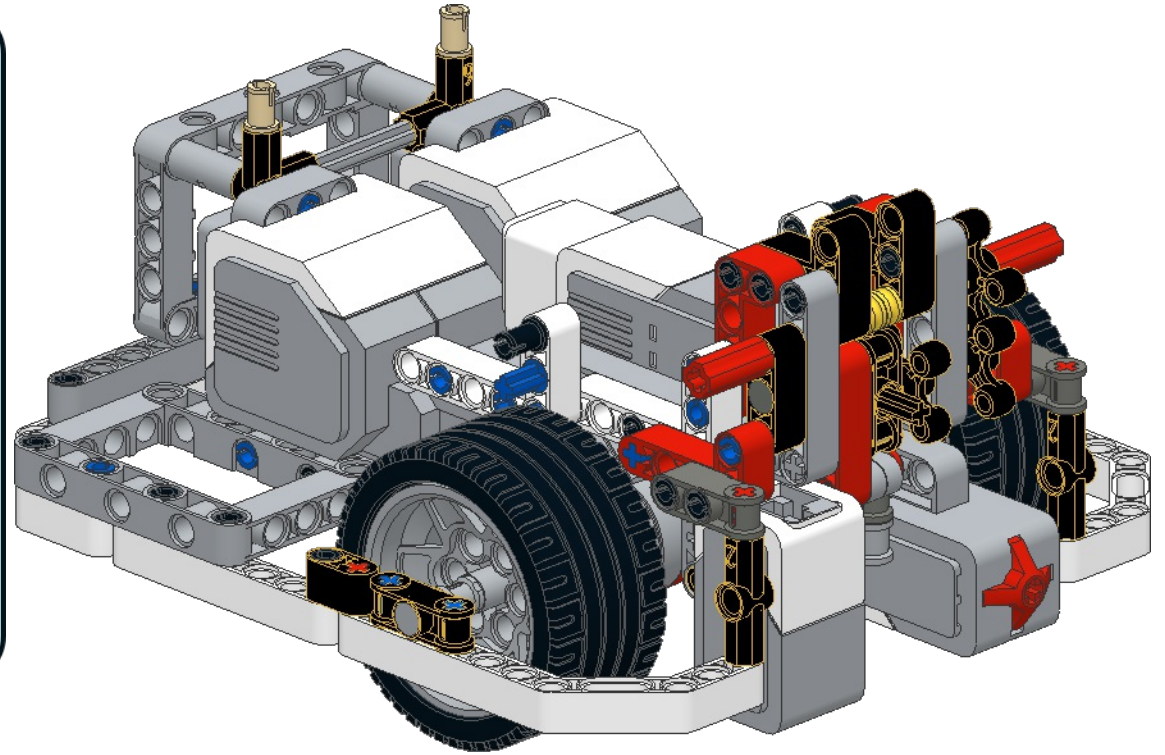
56



57

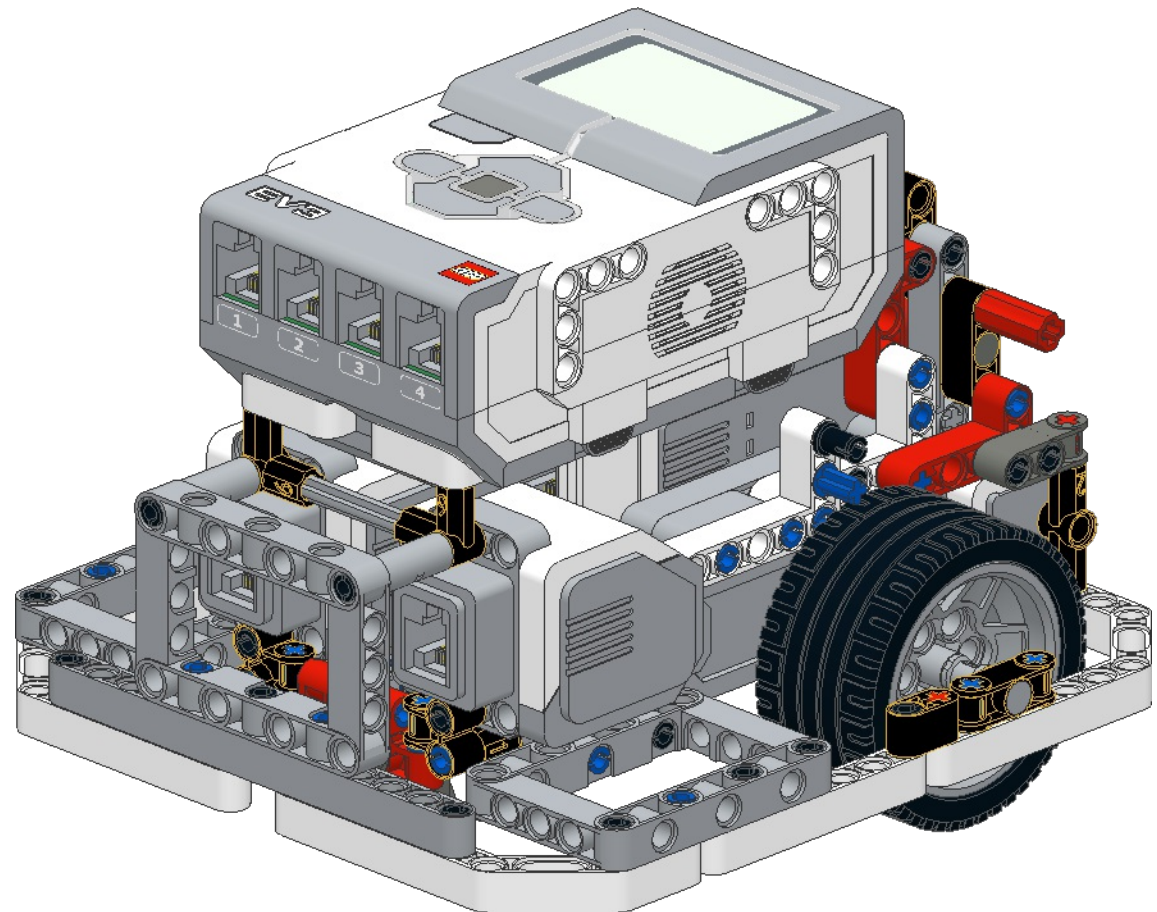
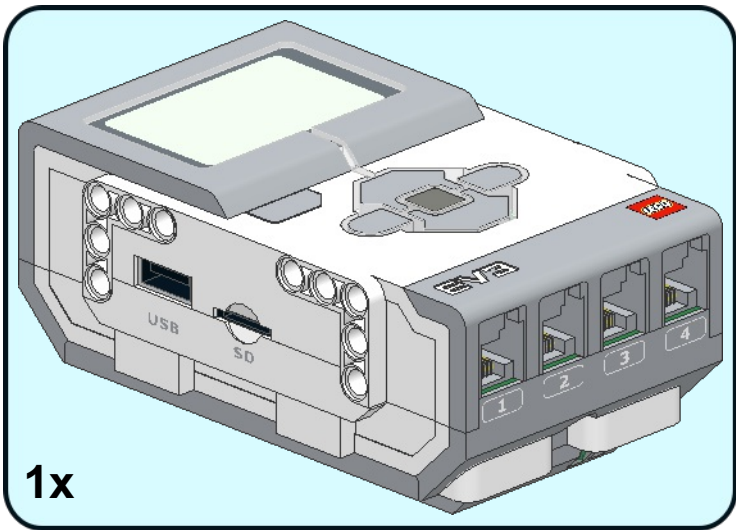


58

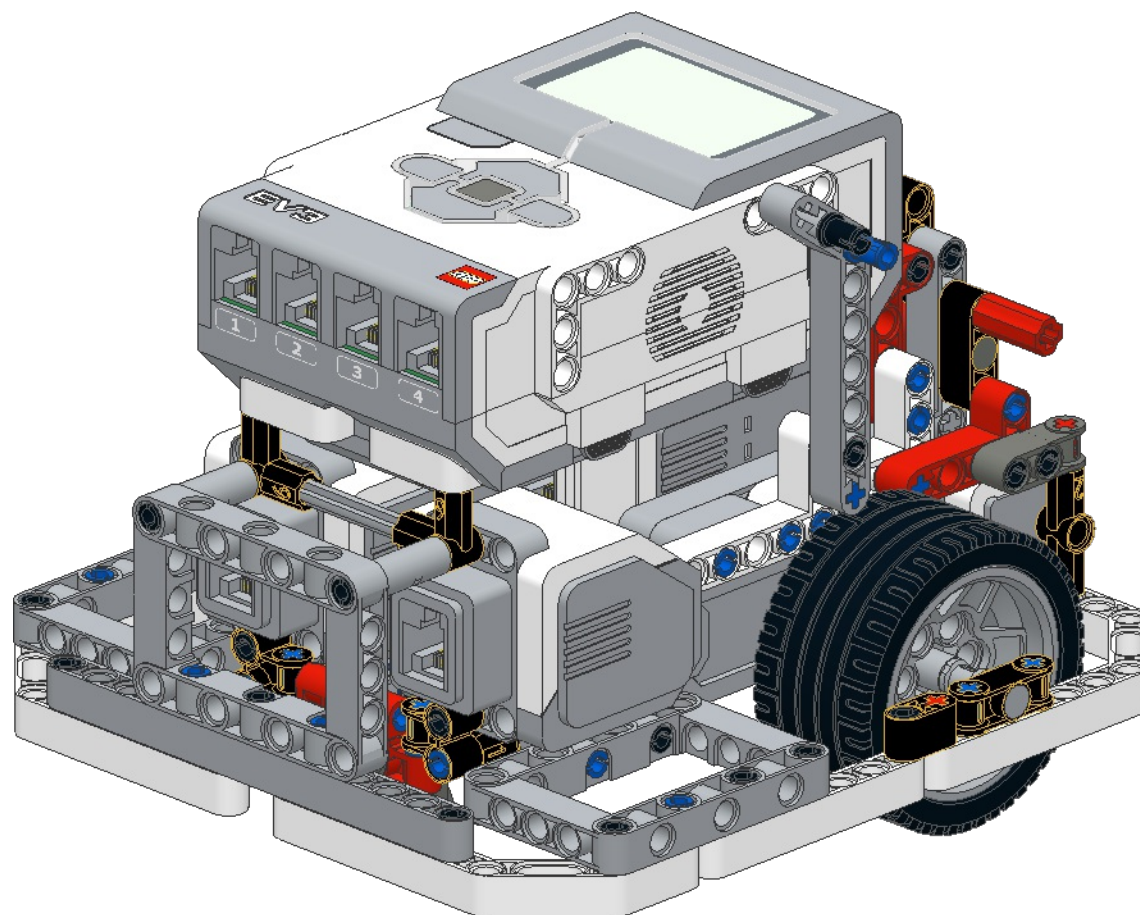
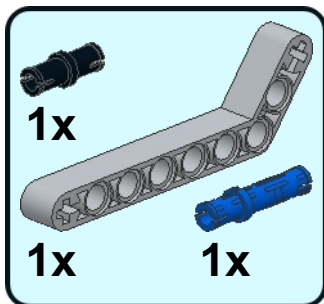




59

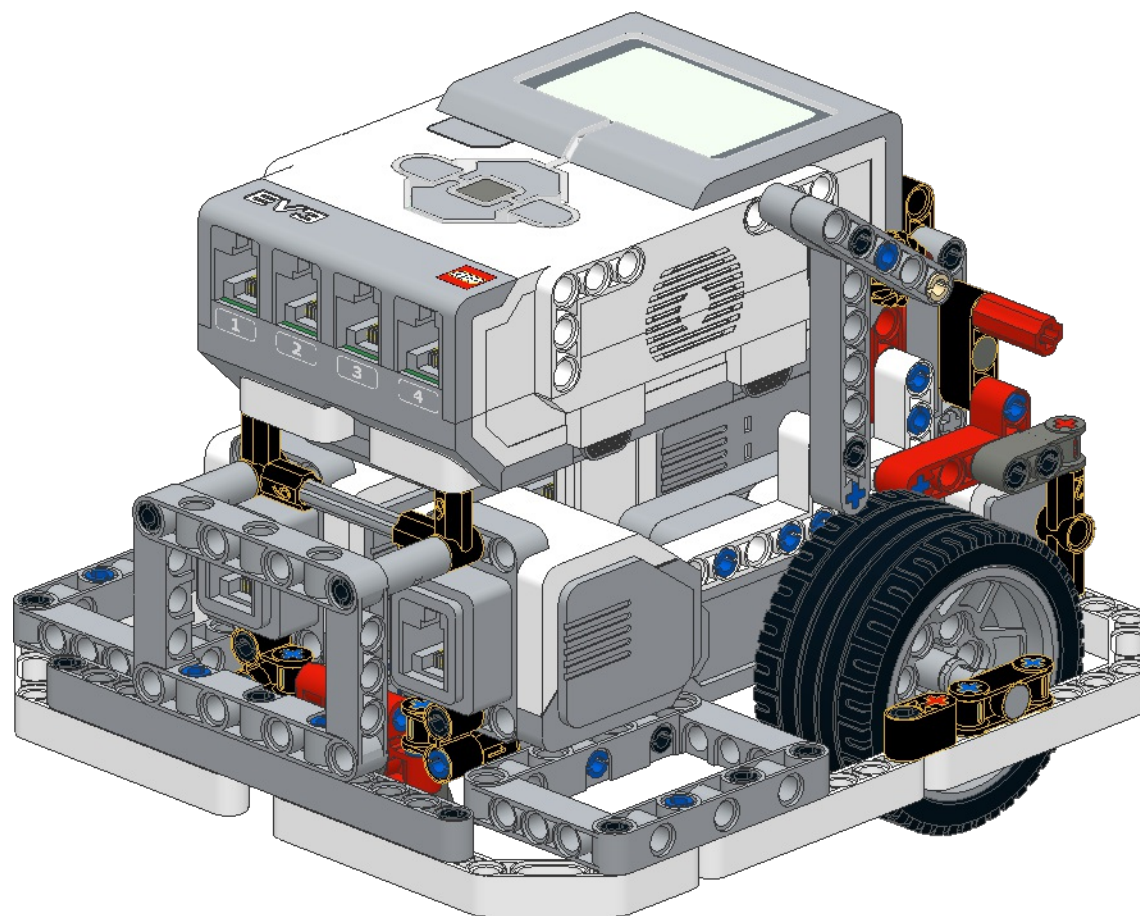
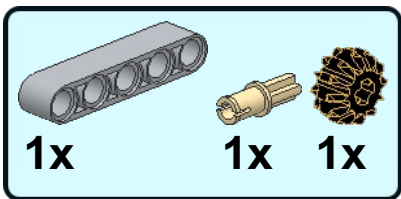


60

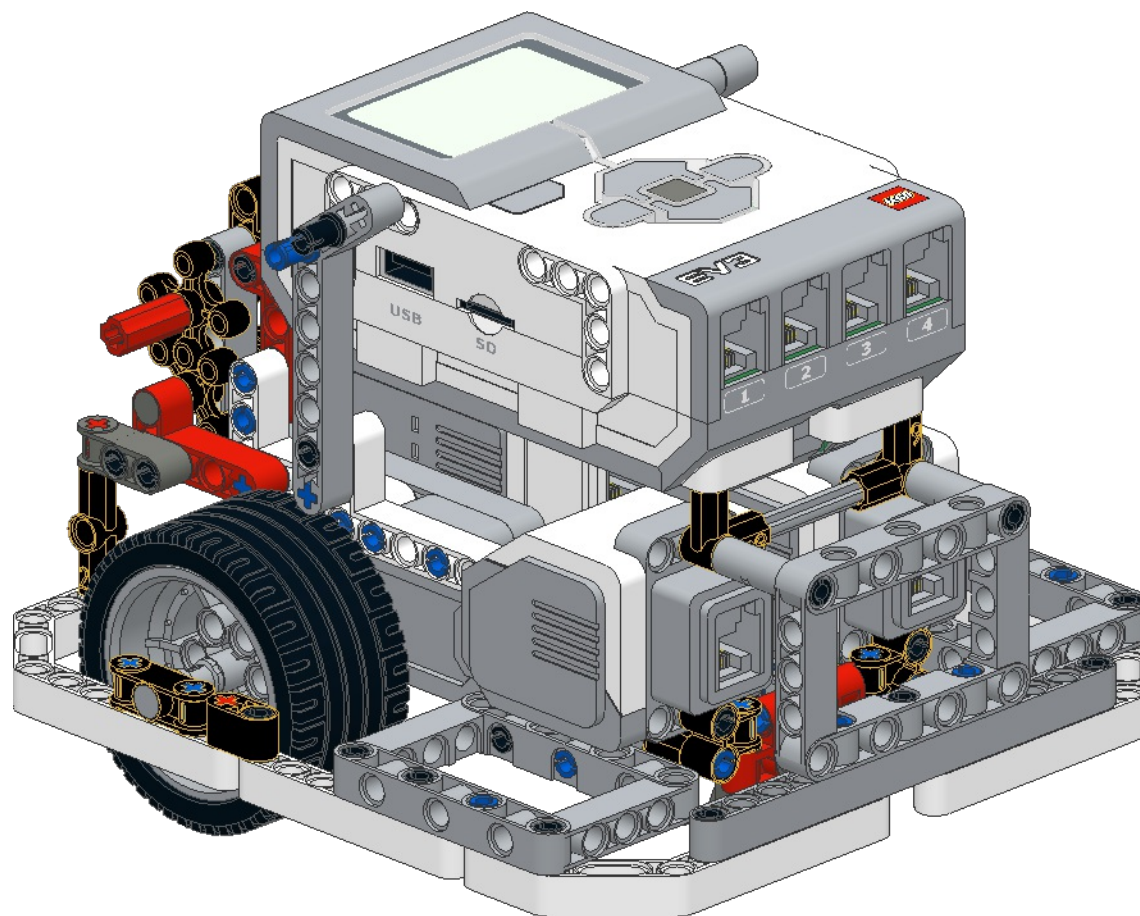
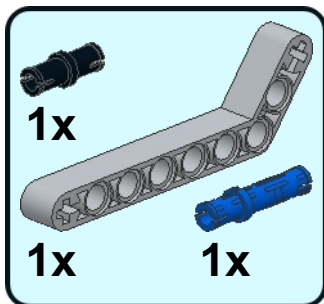




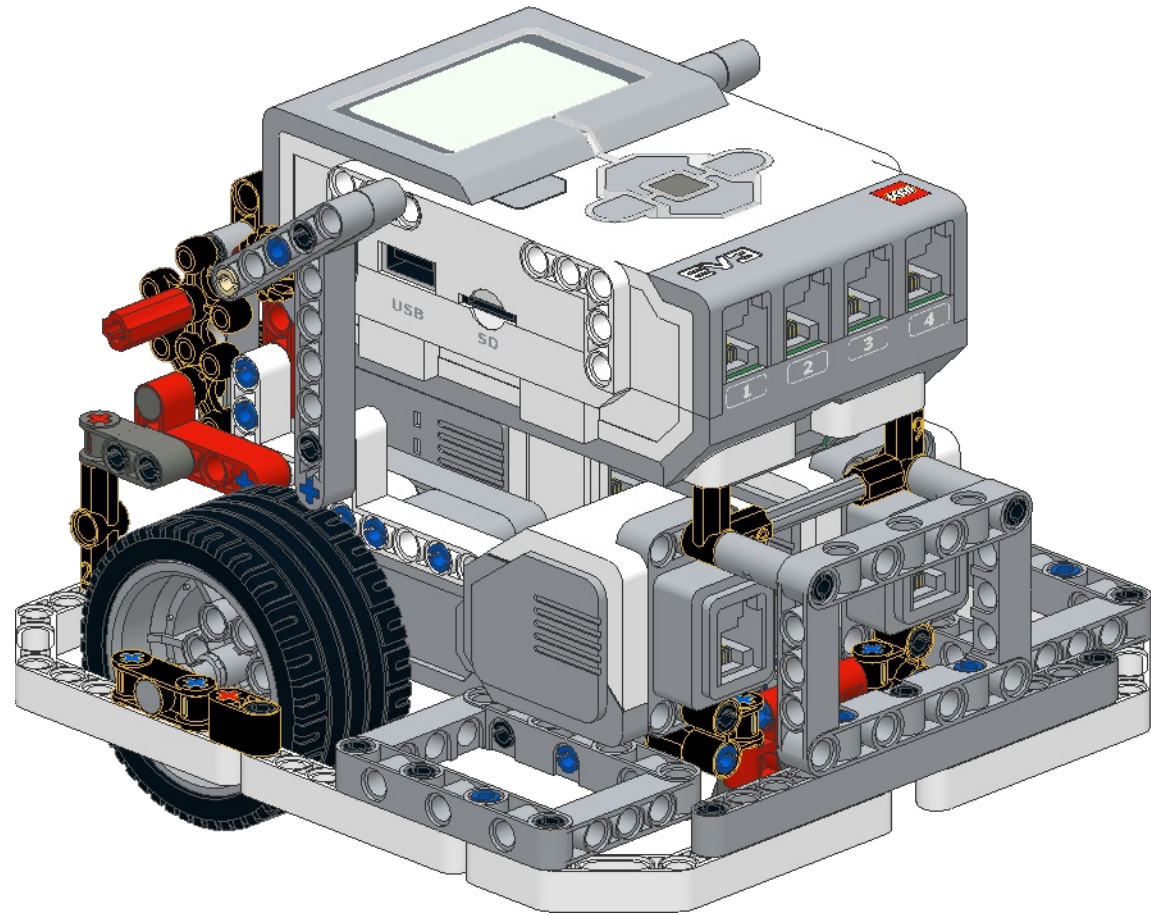
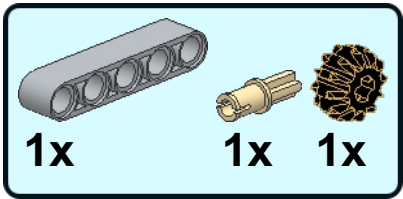
61



62



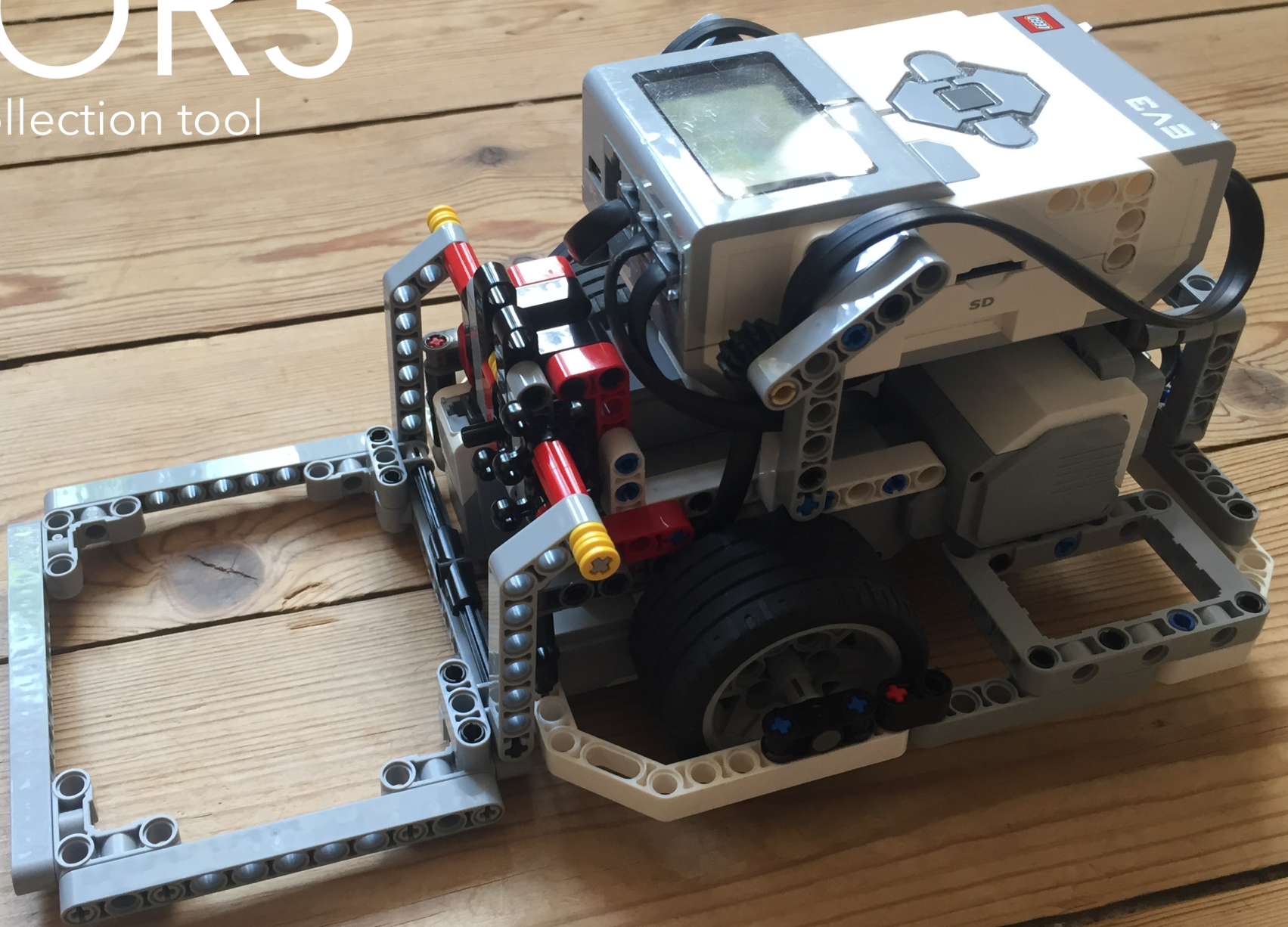
63





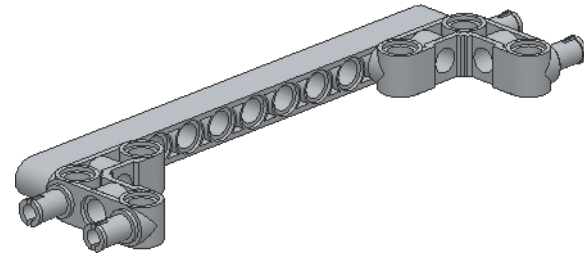
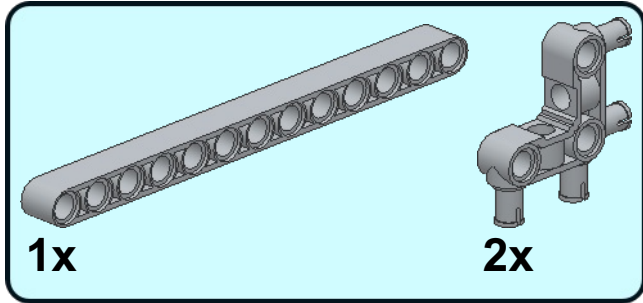
# COR3

Collection tool

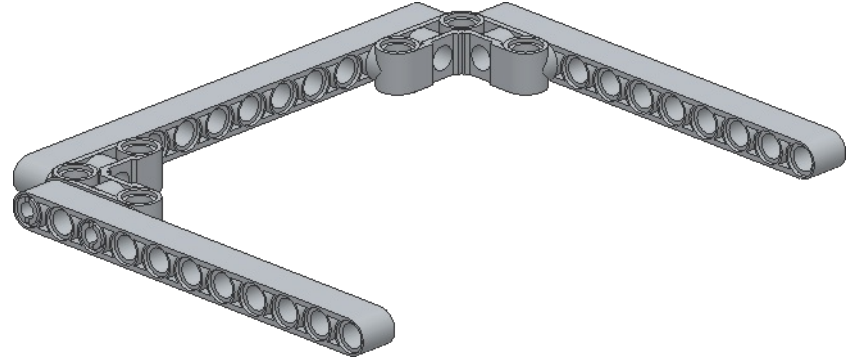
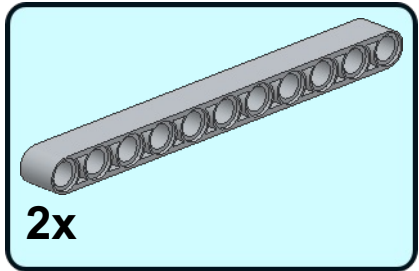


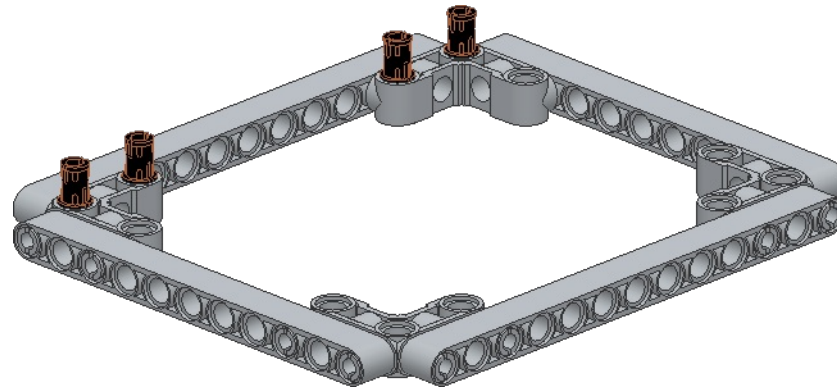
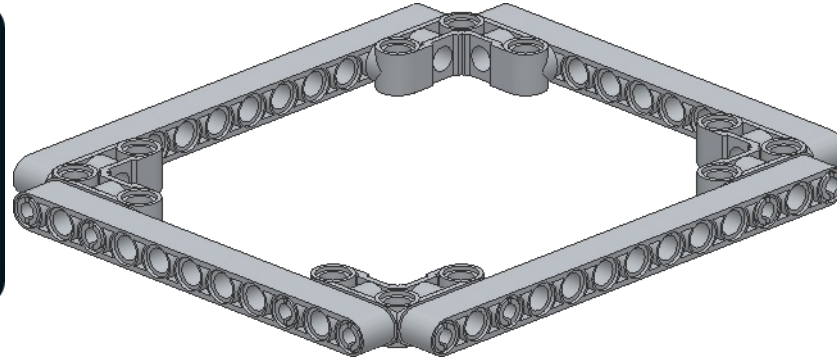
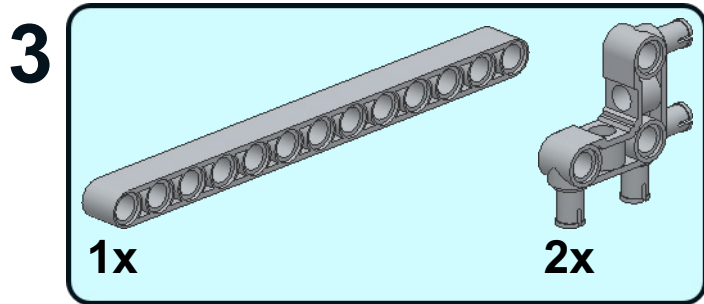


1

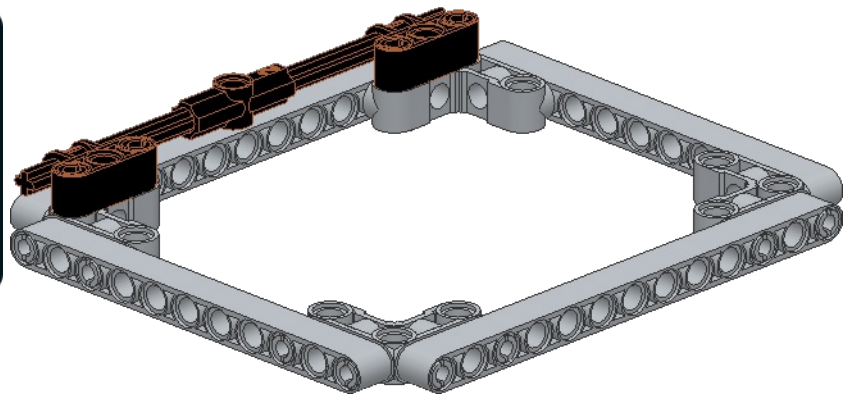
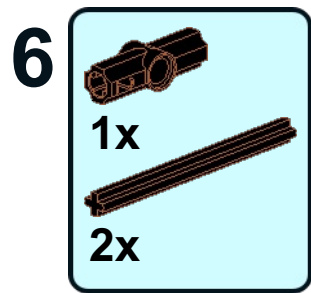
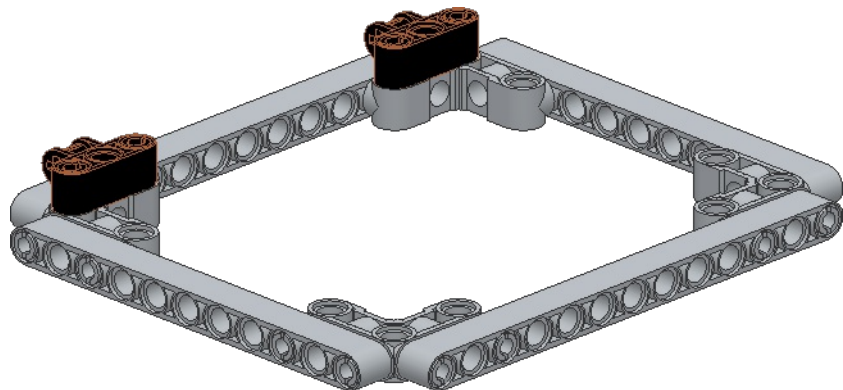
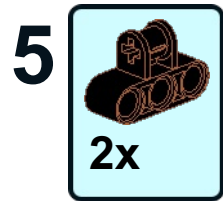


2

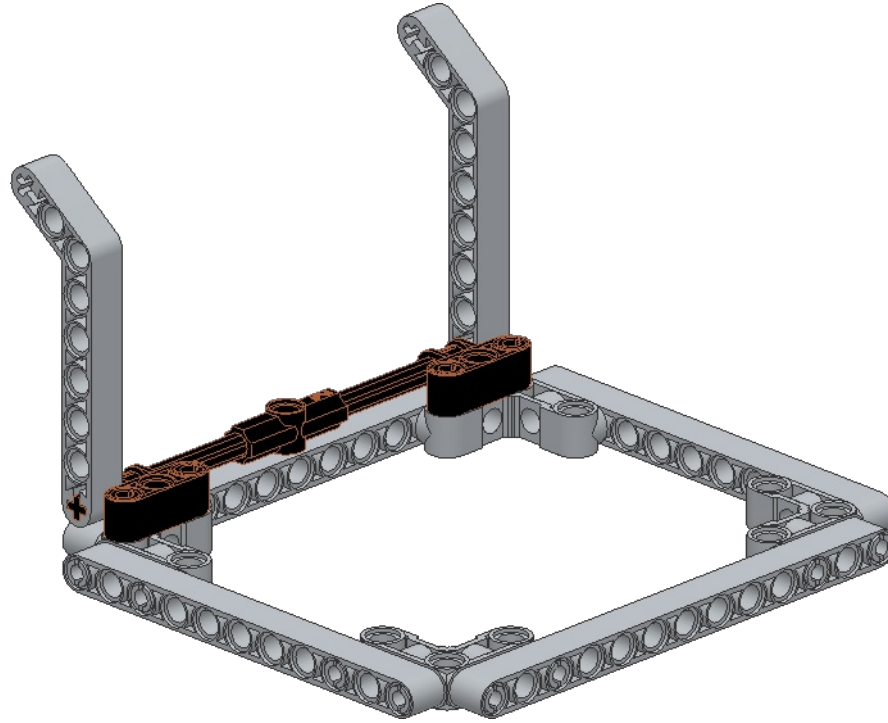
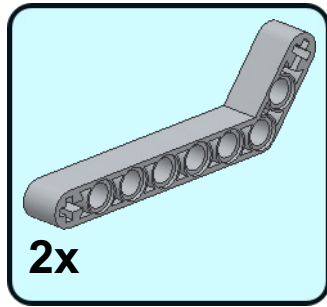




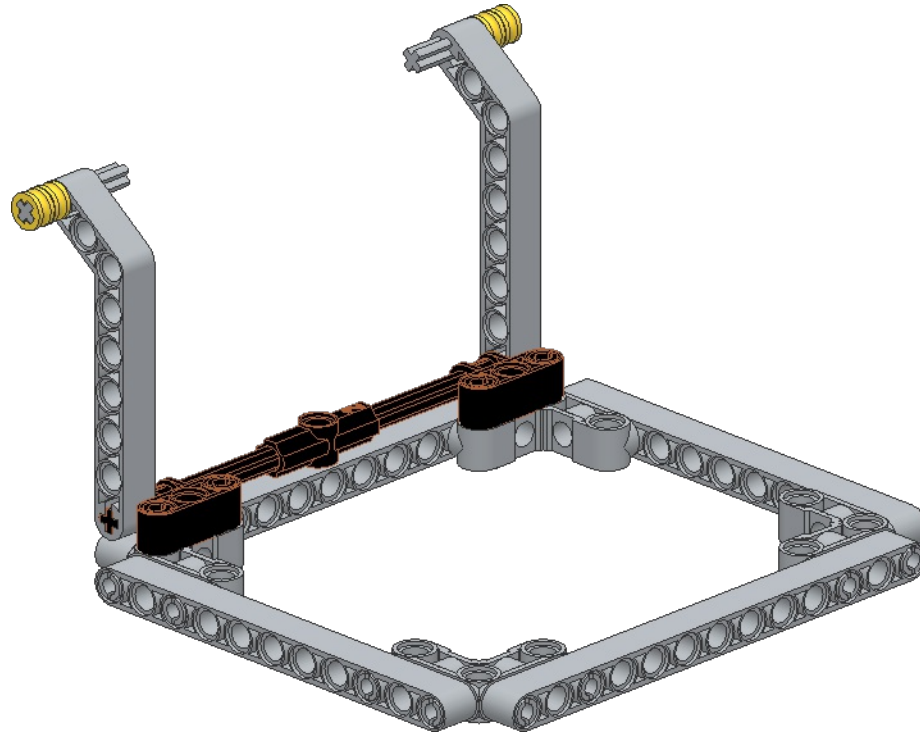
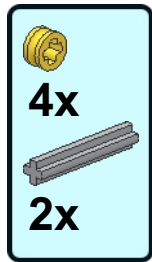




7



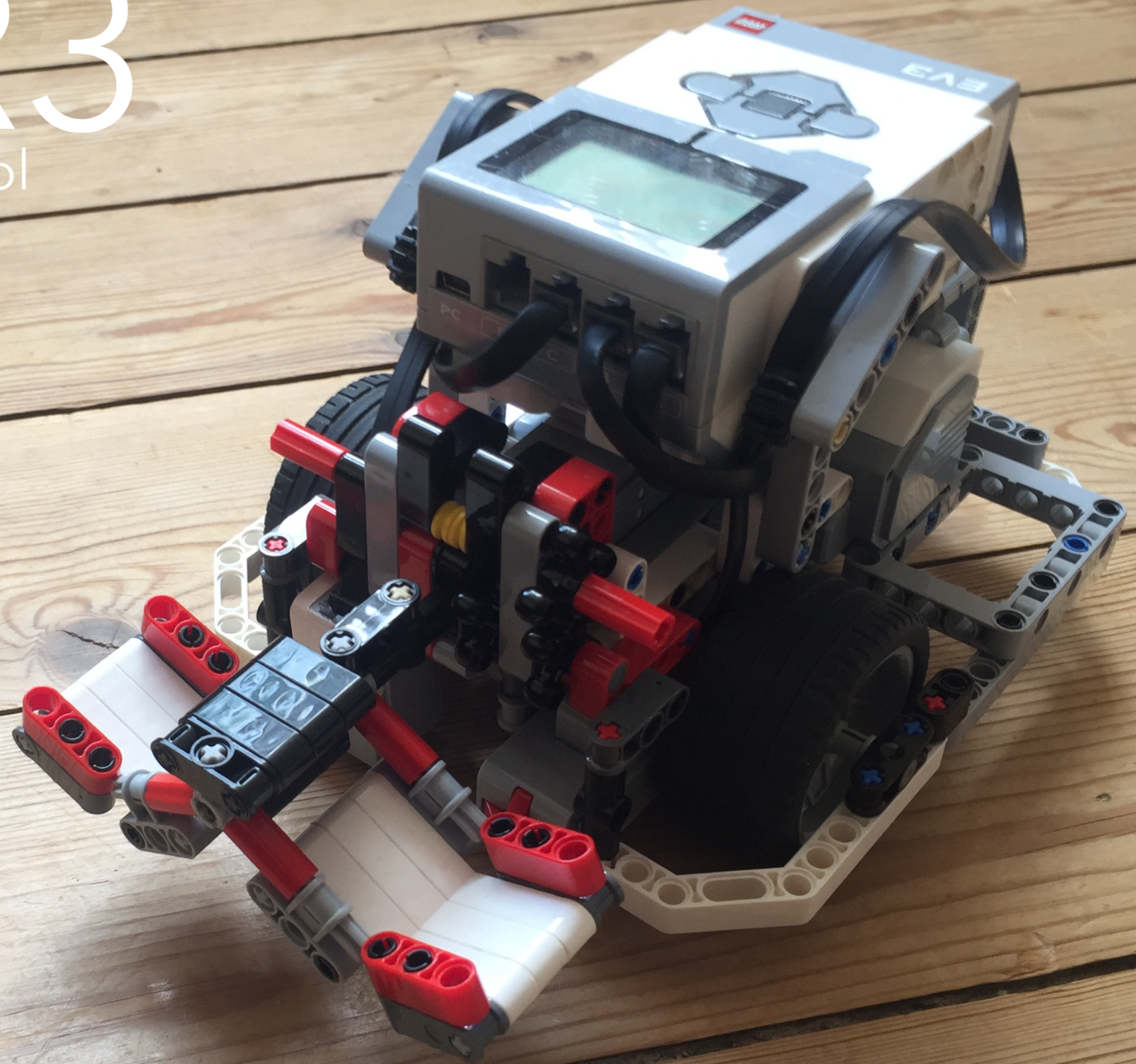
8



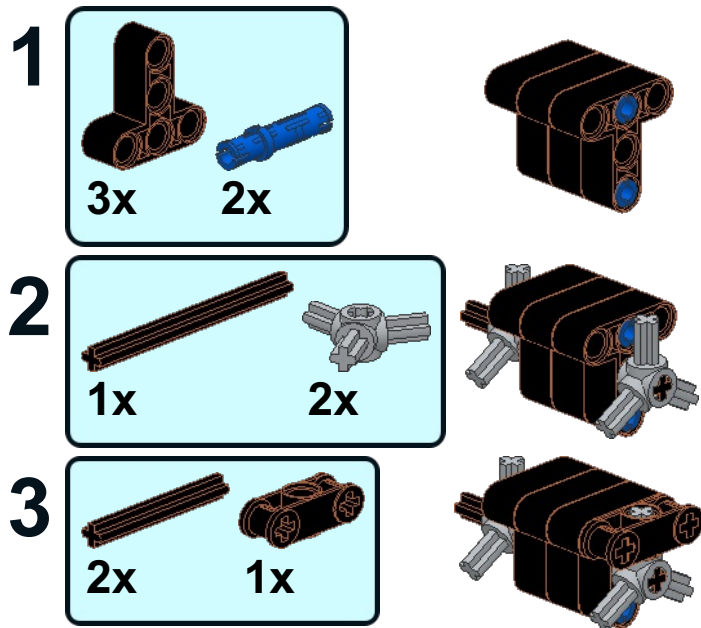


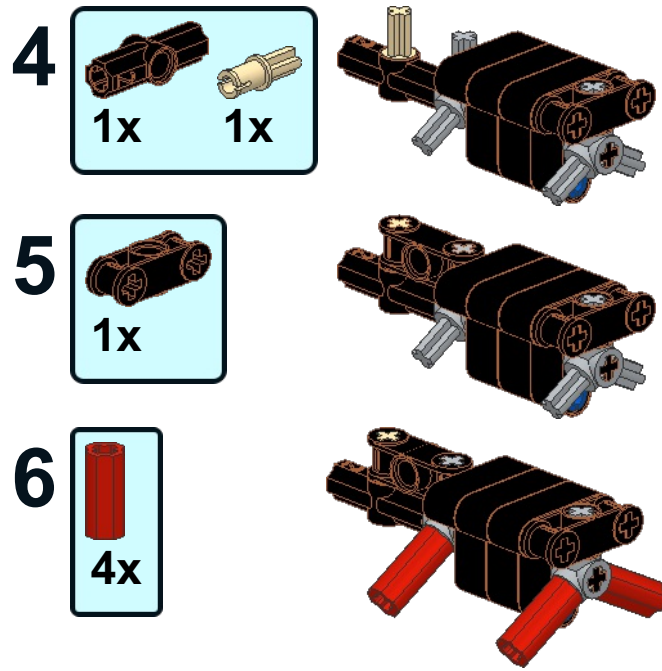
# COR3

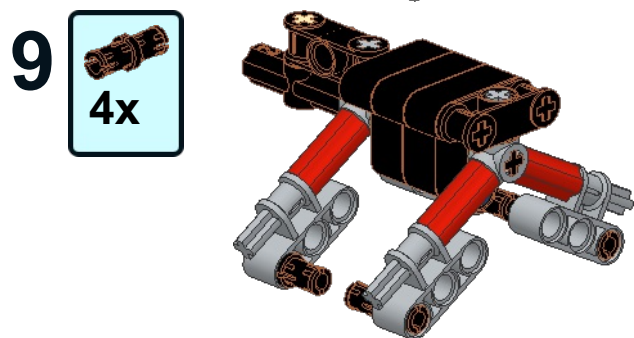
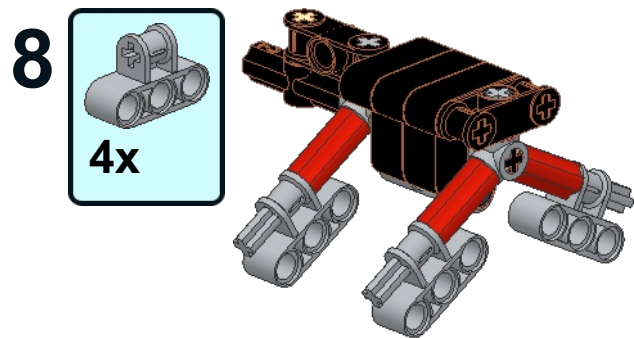
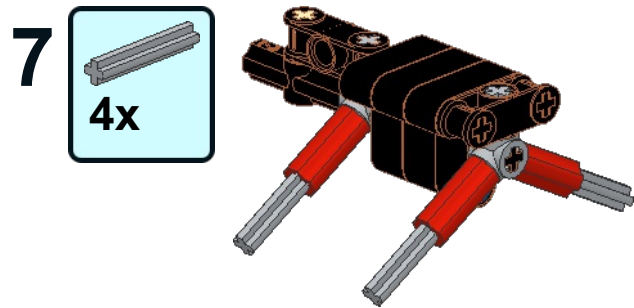
Dispenser tool



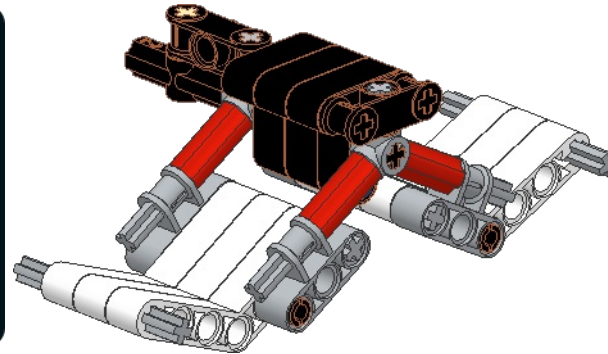
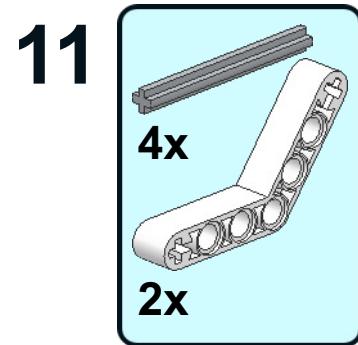
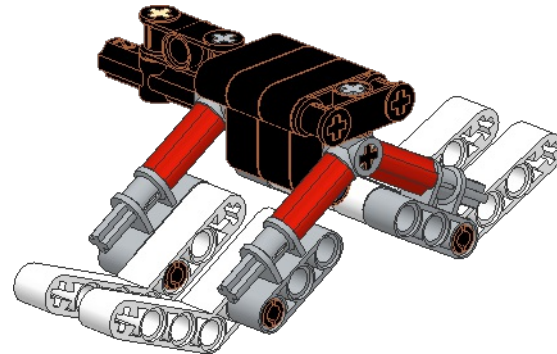
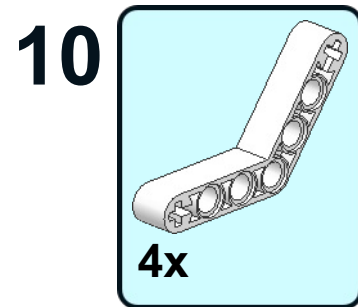




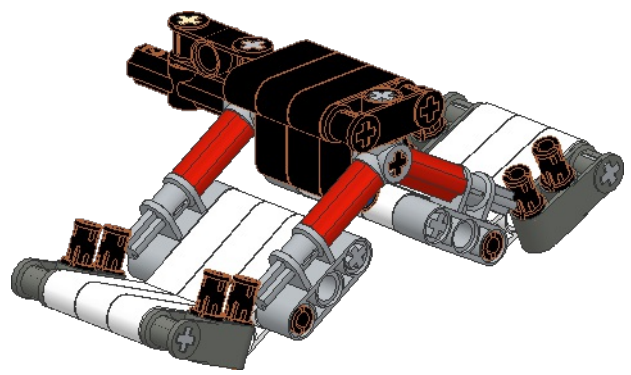




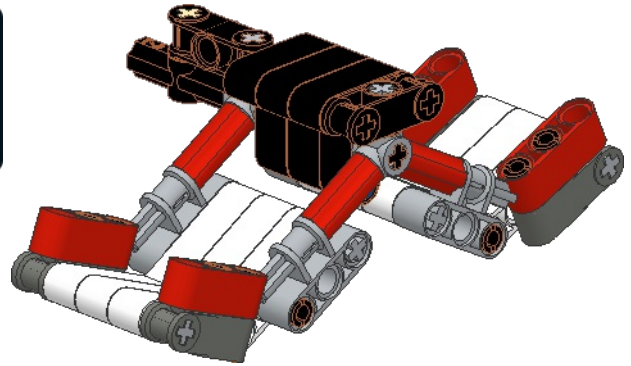




12  
8x  
4x



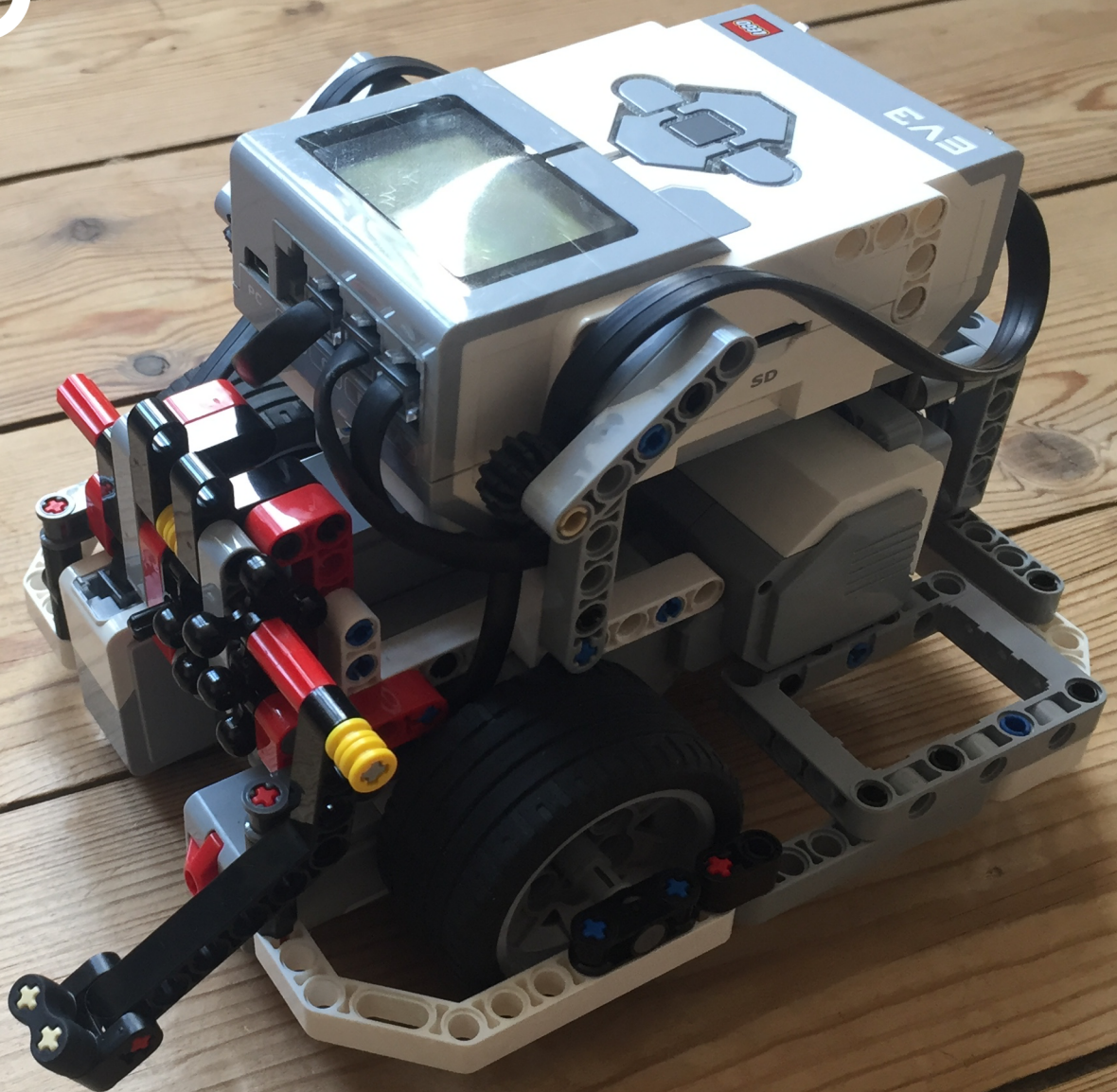
13  
4x





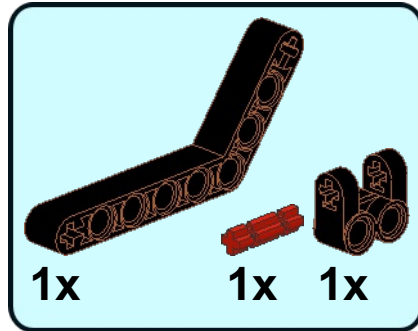
# COR3

Snatcher tool





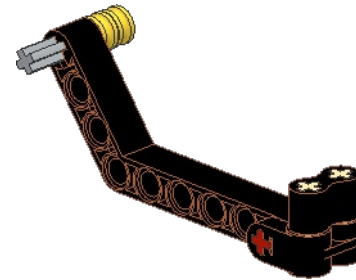
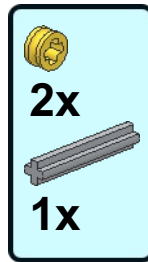
1



2



3



Instructions by:

Michael Buss Andersen

Feel free to do whatever you want with it.