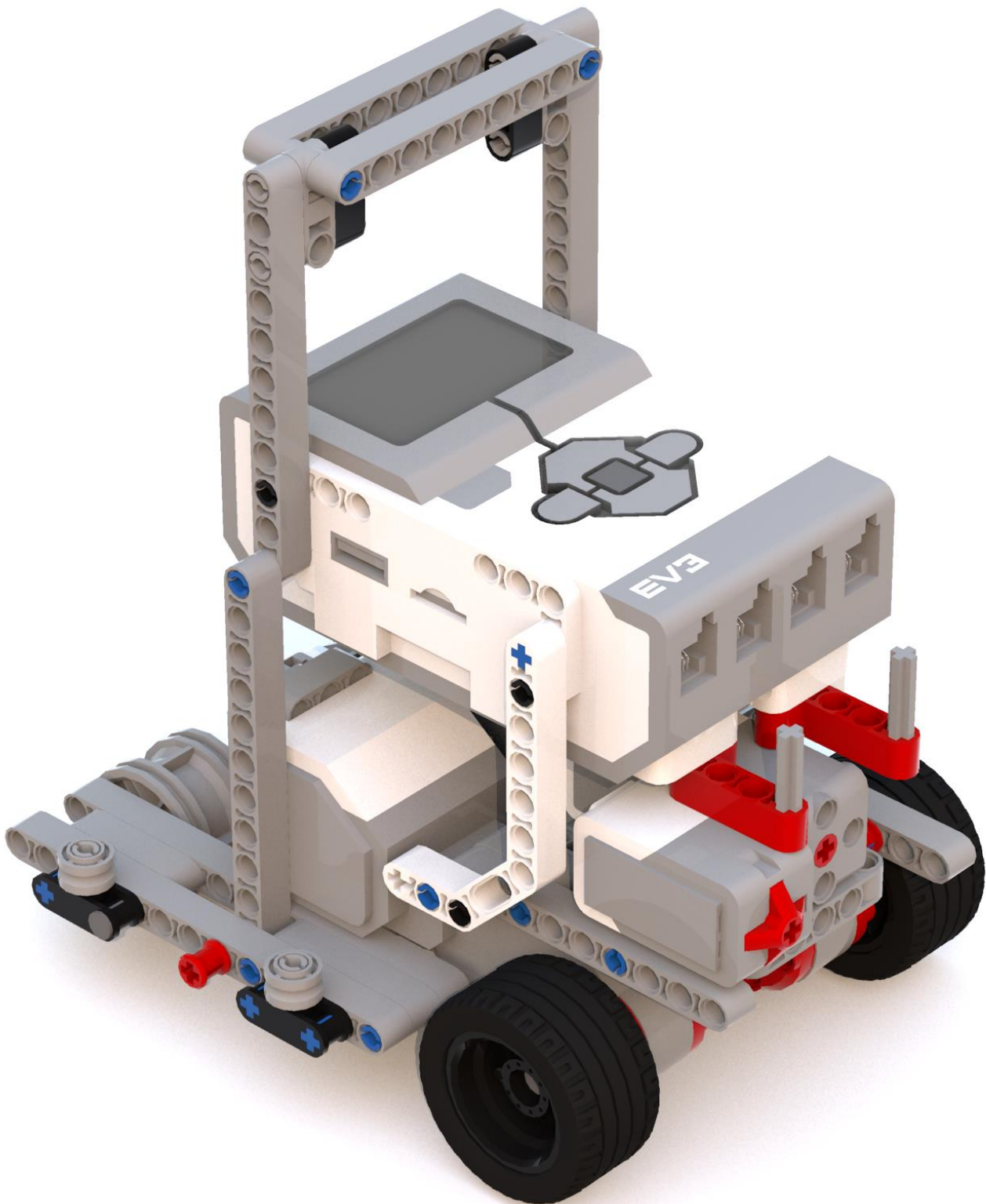


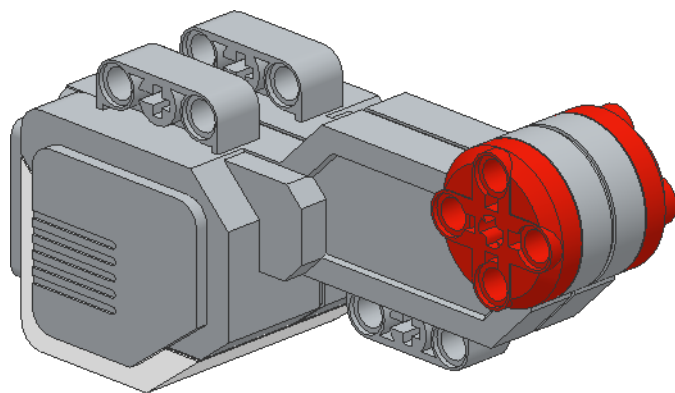
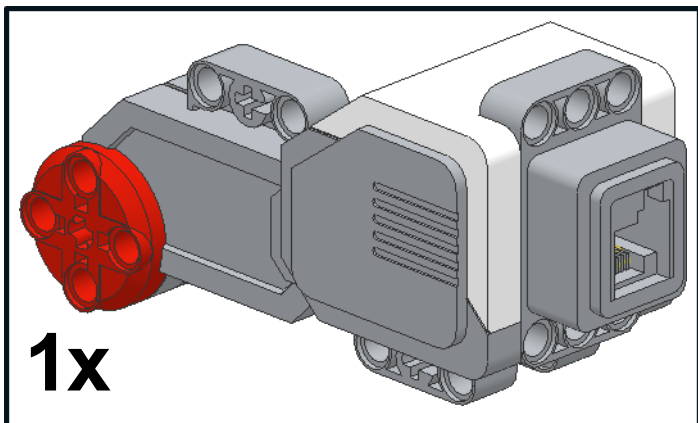


Droid Bot JR created by EV3 Lessons
Building Instructions created by Anderson Harayashiki Moreira (Brazil)

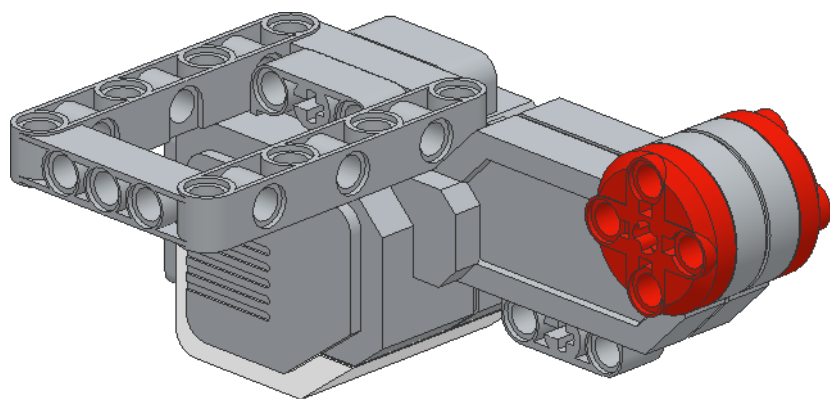
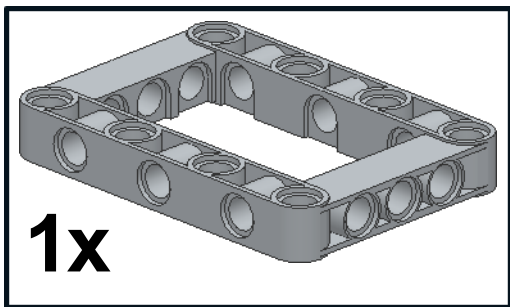
Droid Bot JR



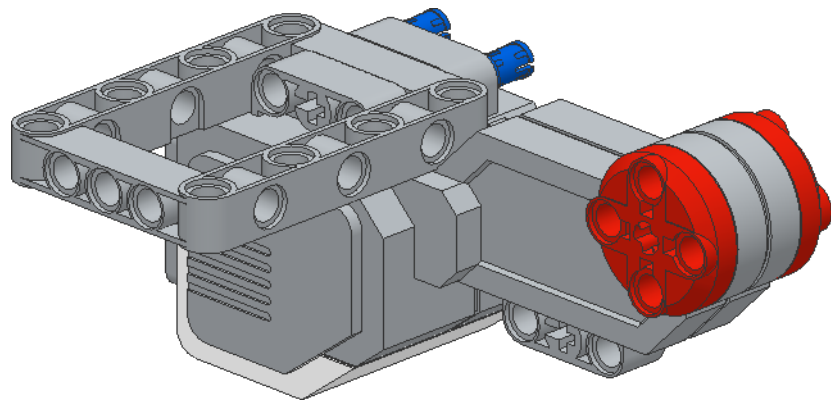
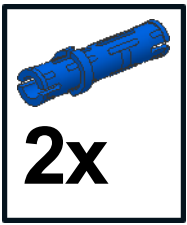
1



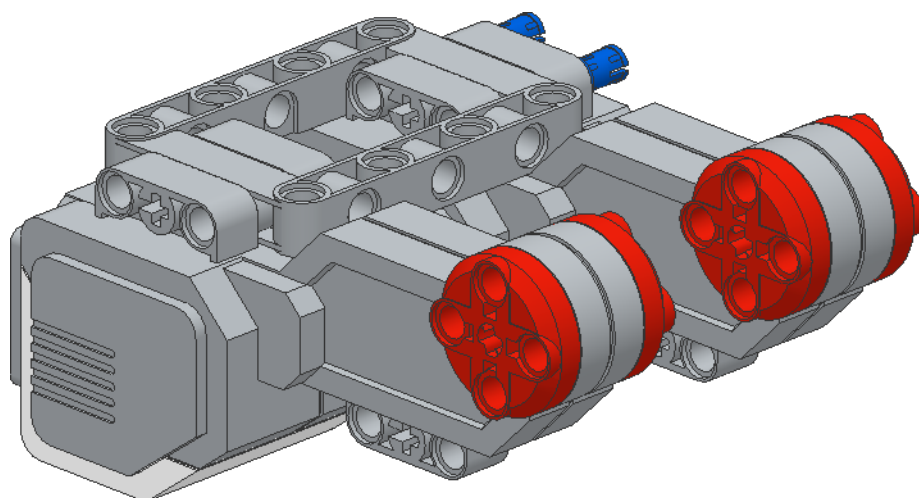
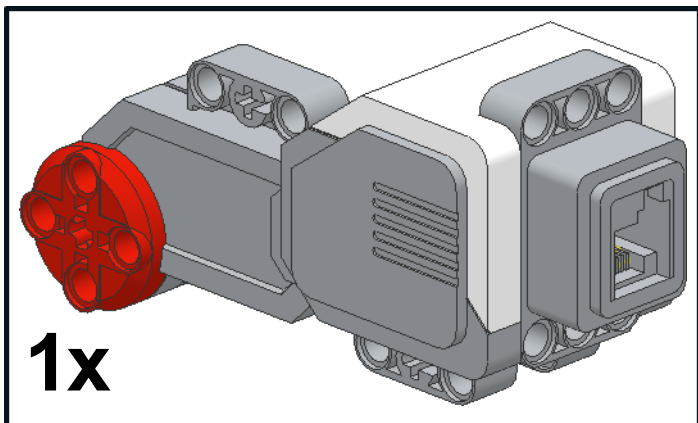
2



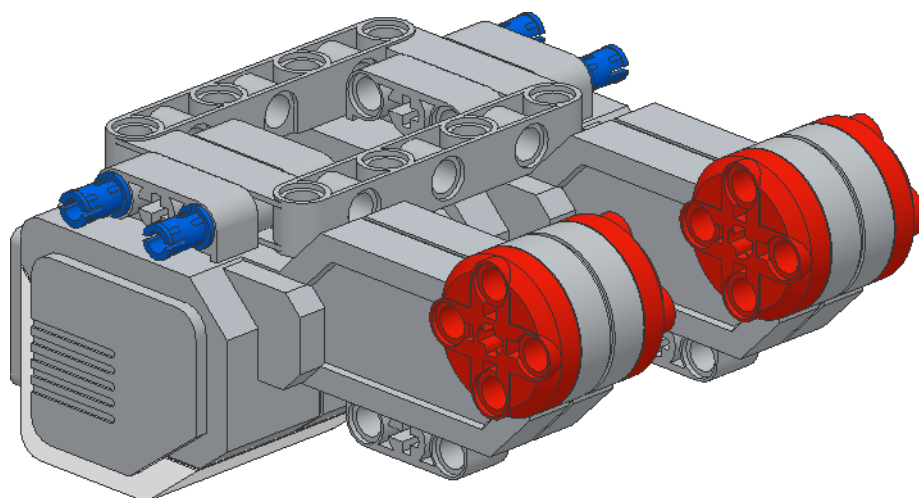
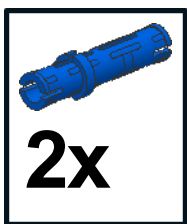
3



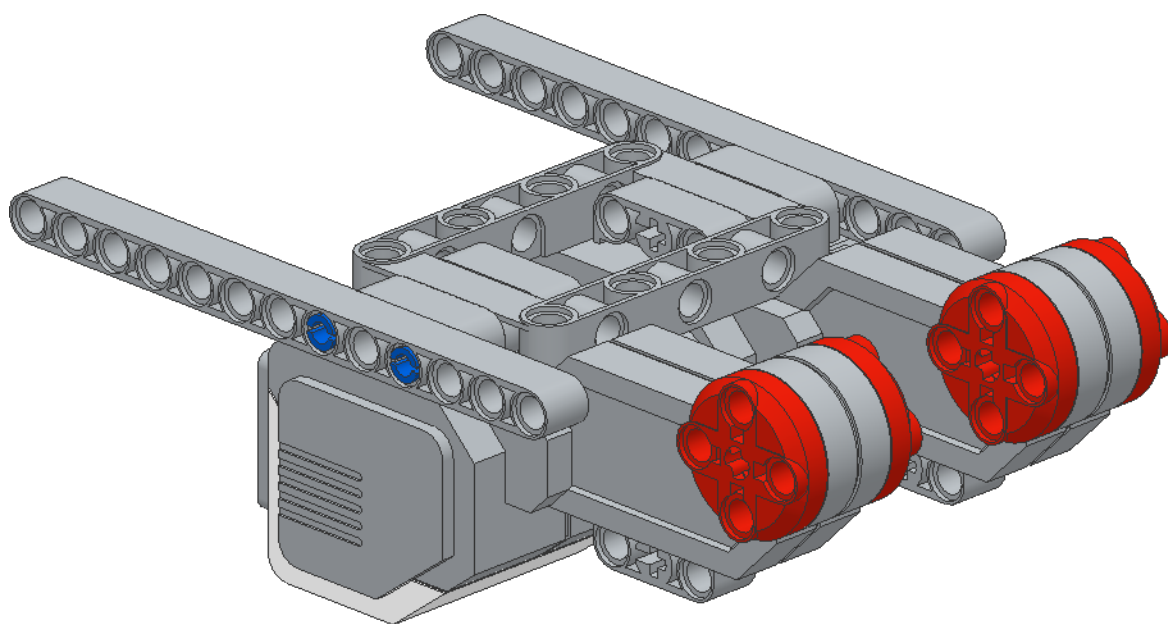
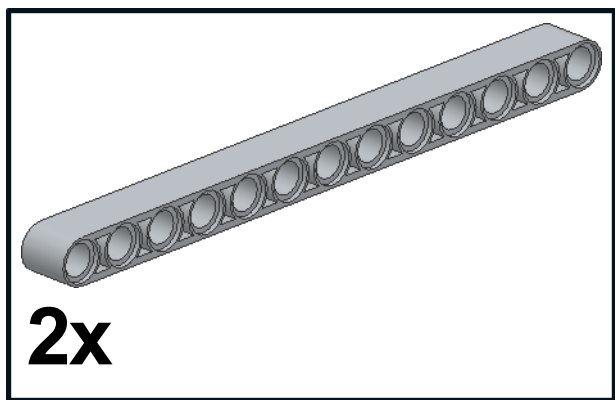
4



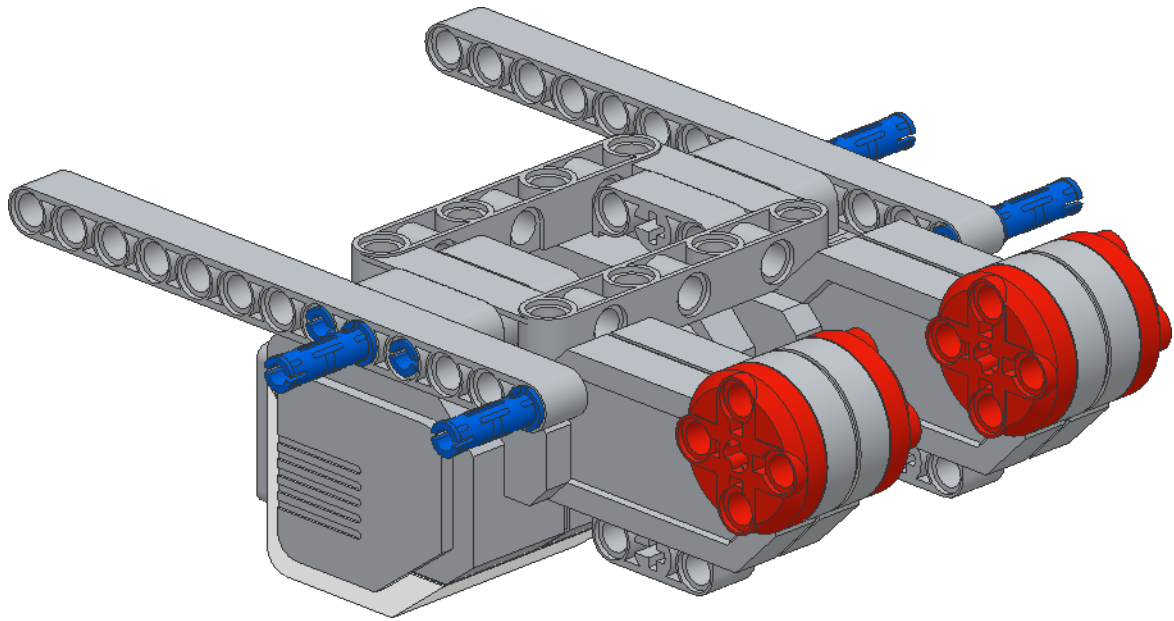
5



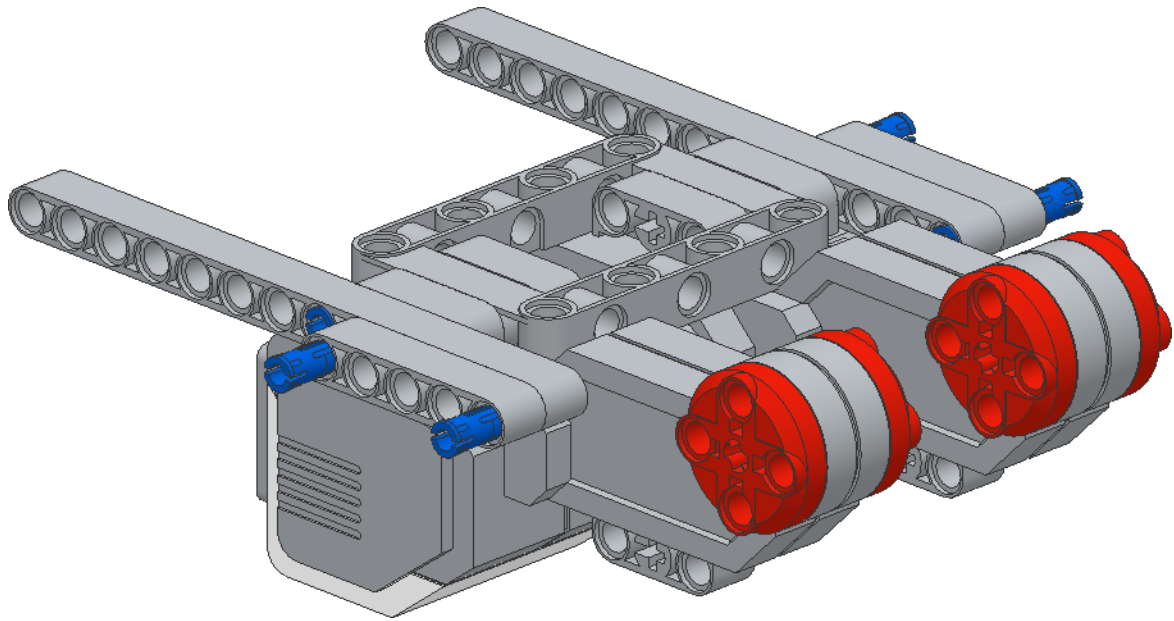
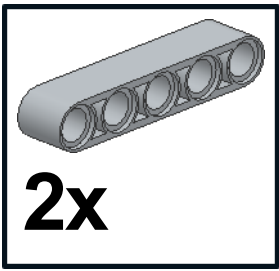
6



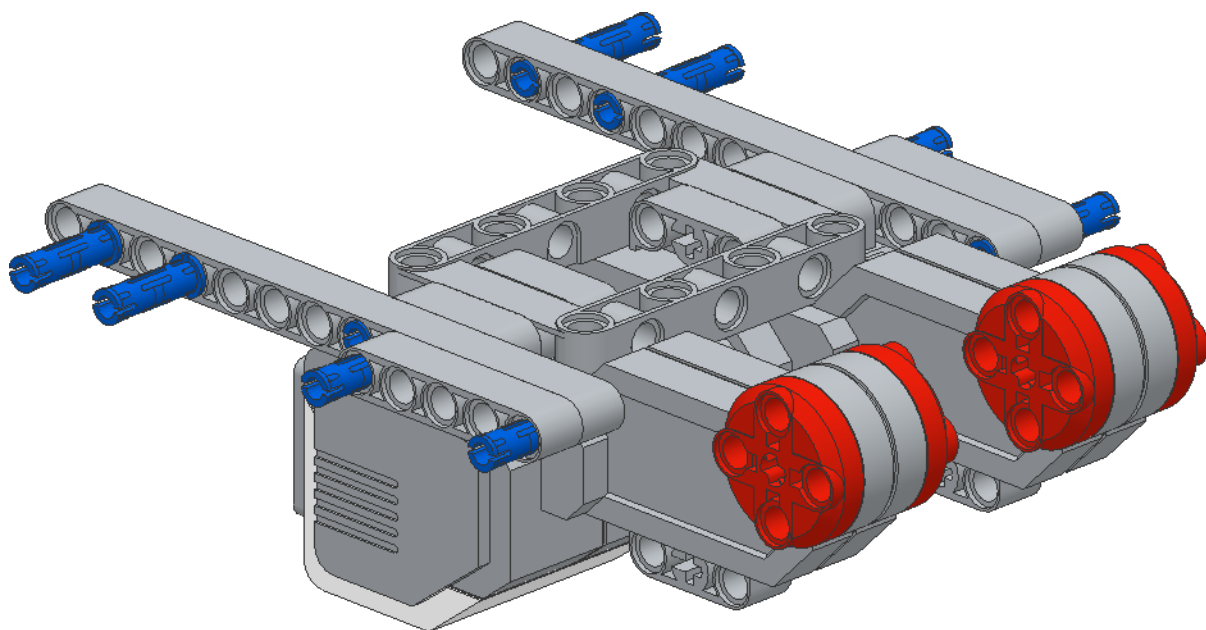
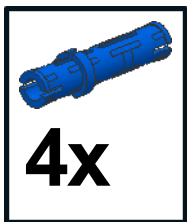
7
4x



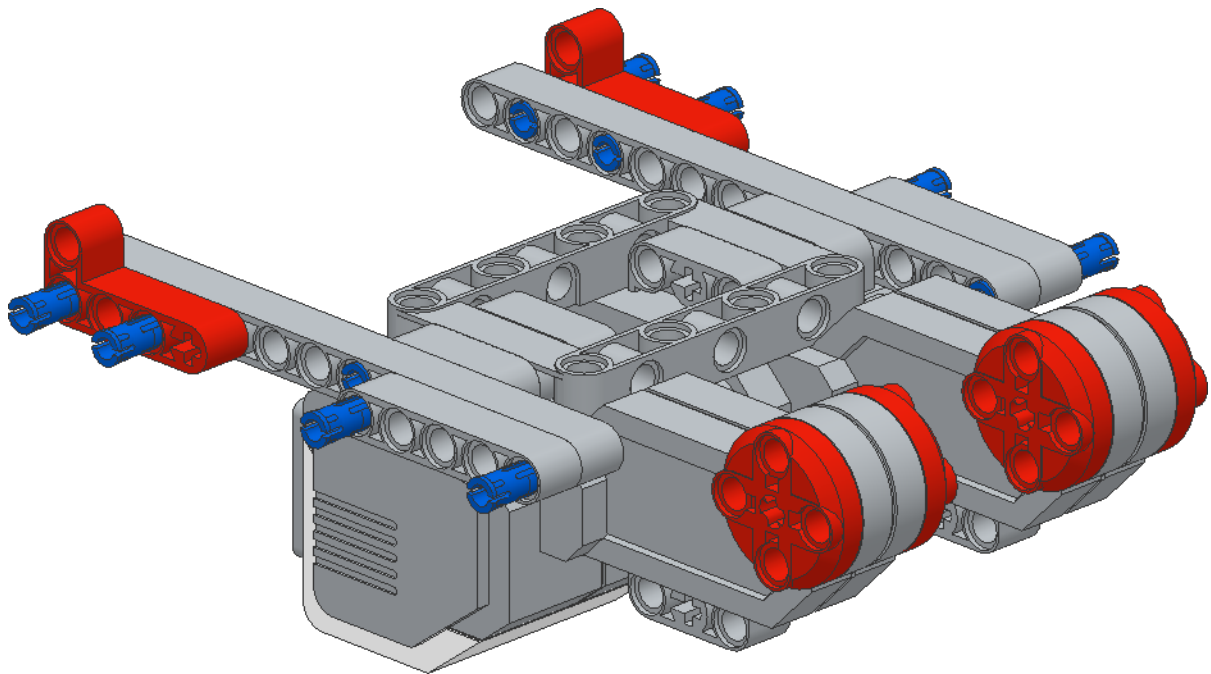
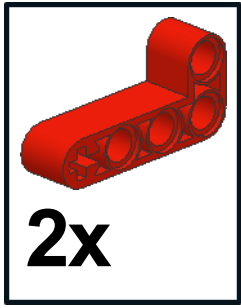
8



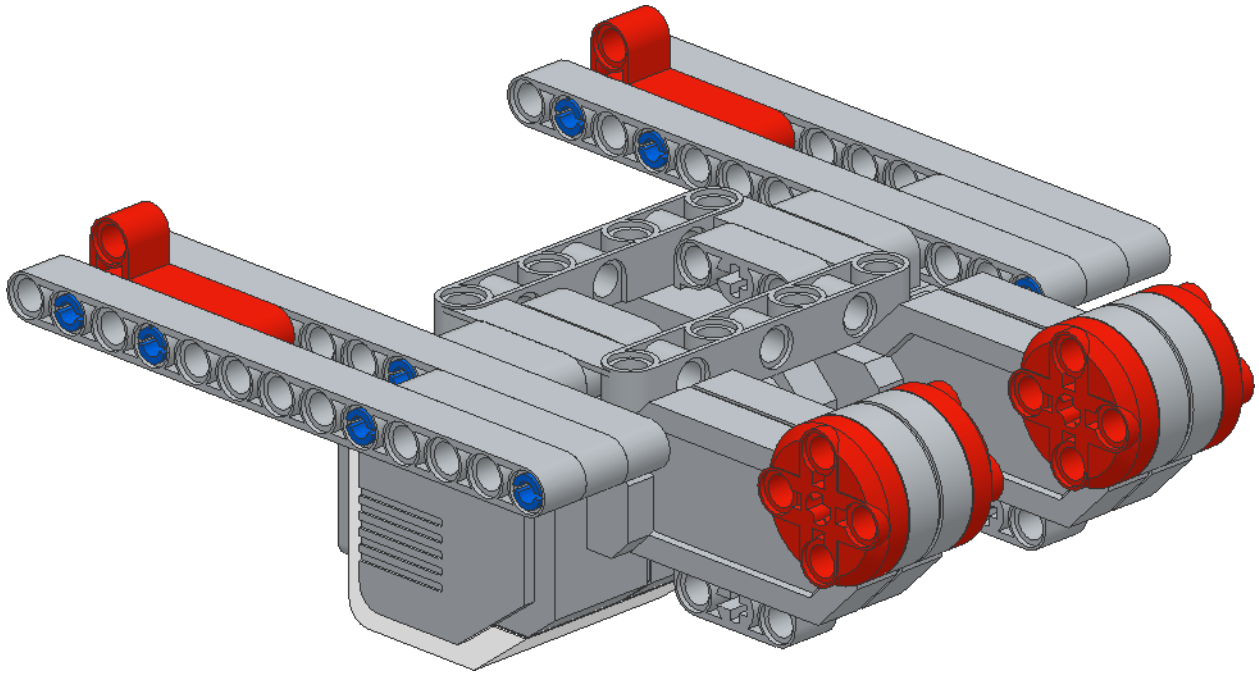
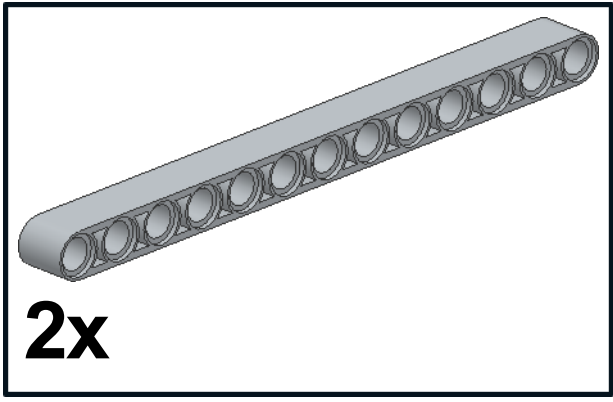
9



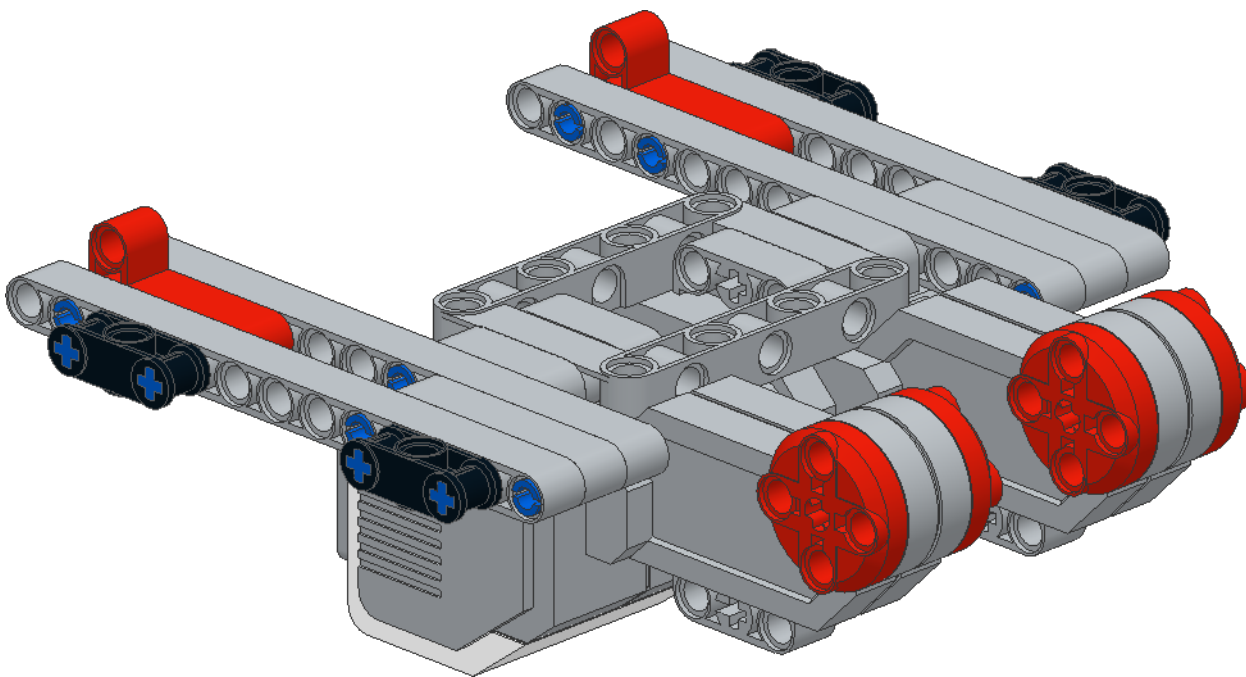
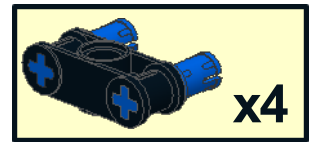
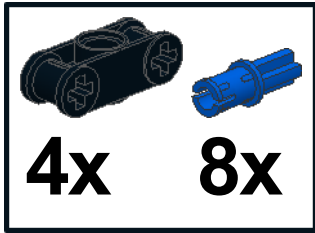
10



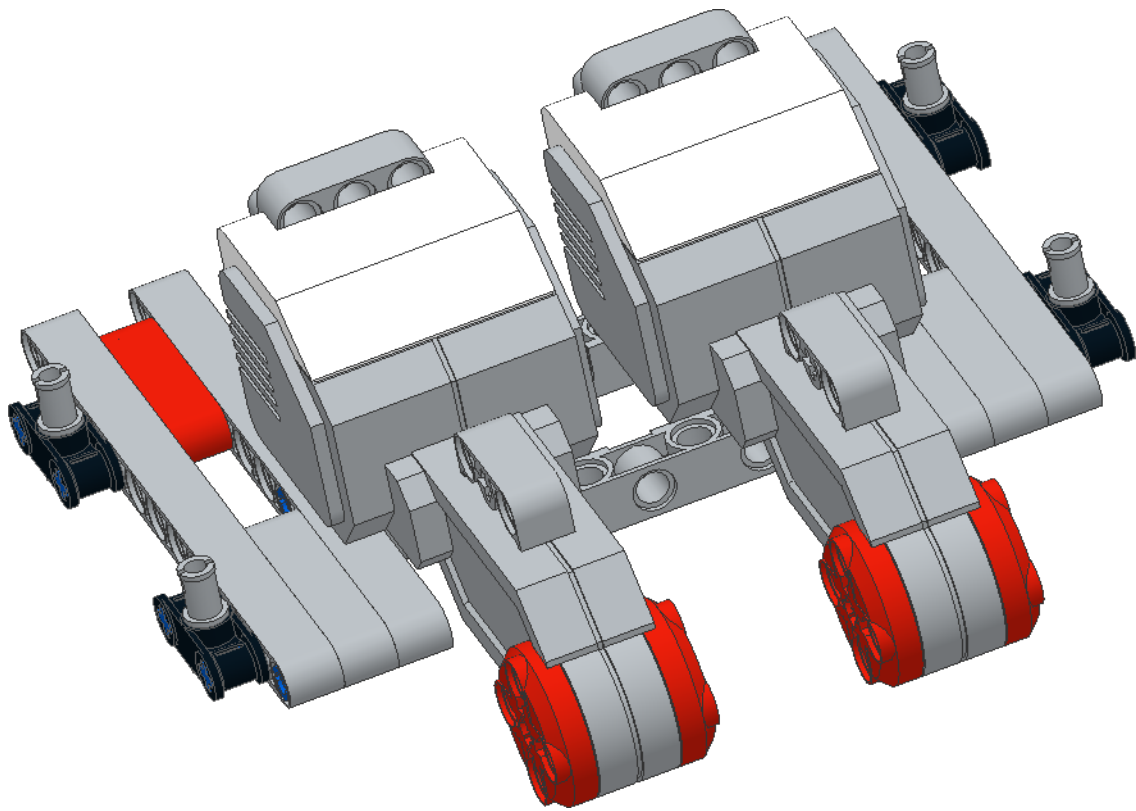
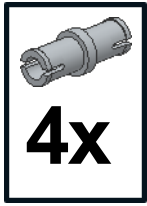
11



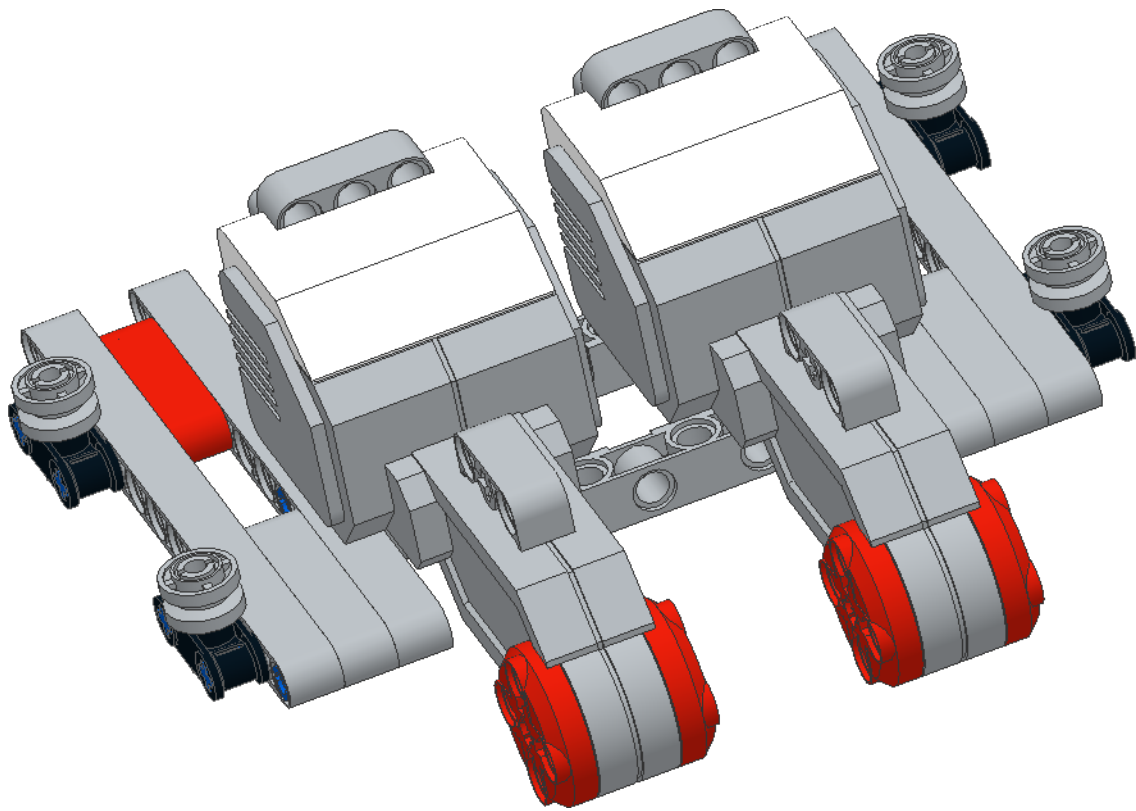
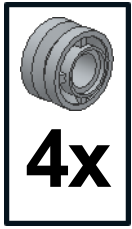
12



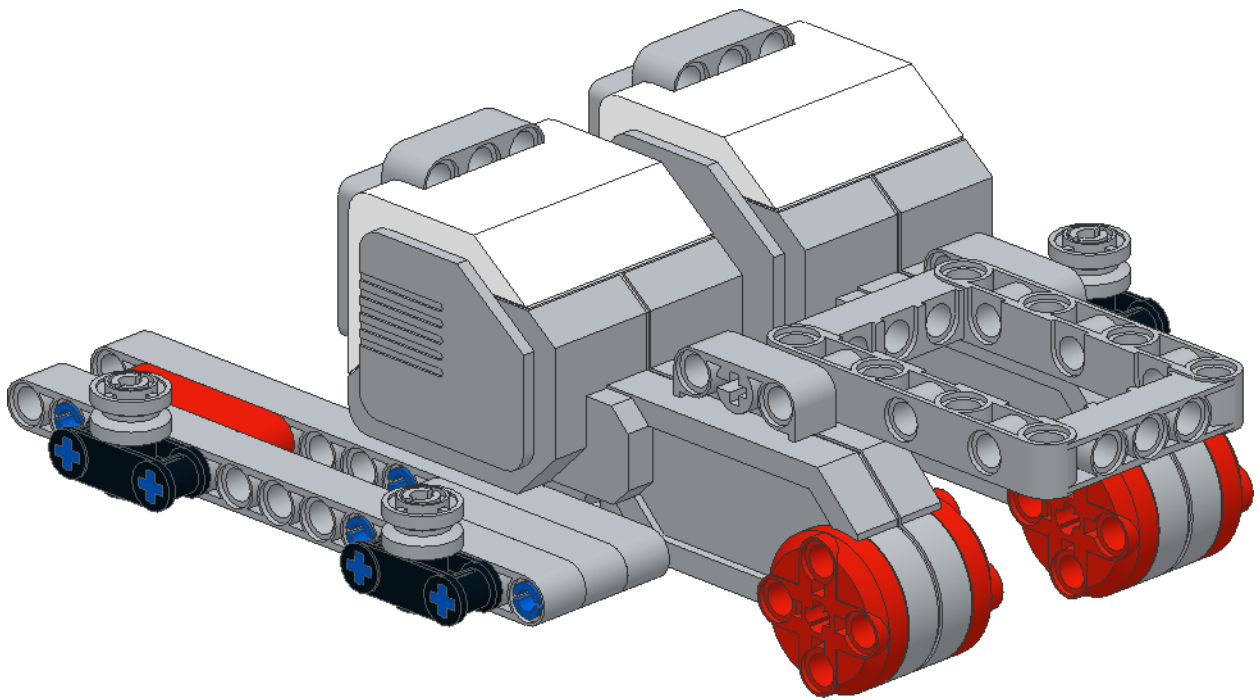
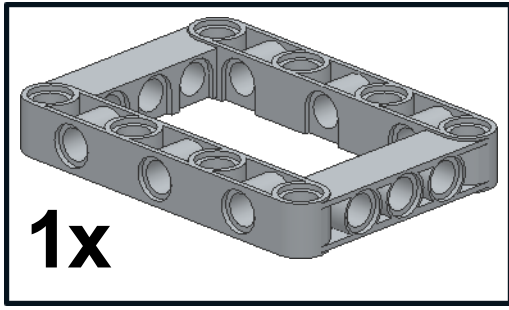
13



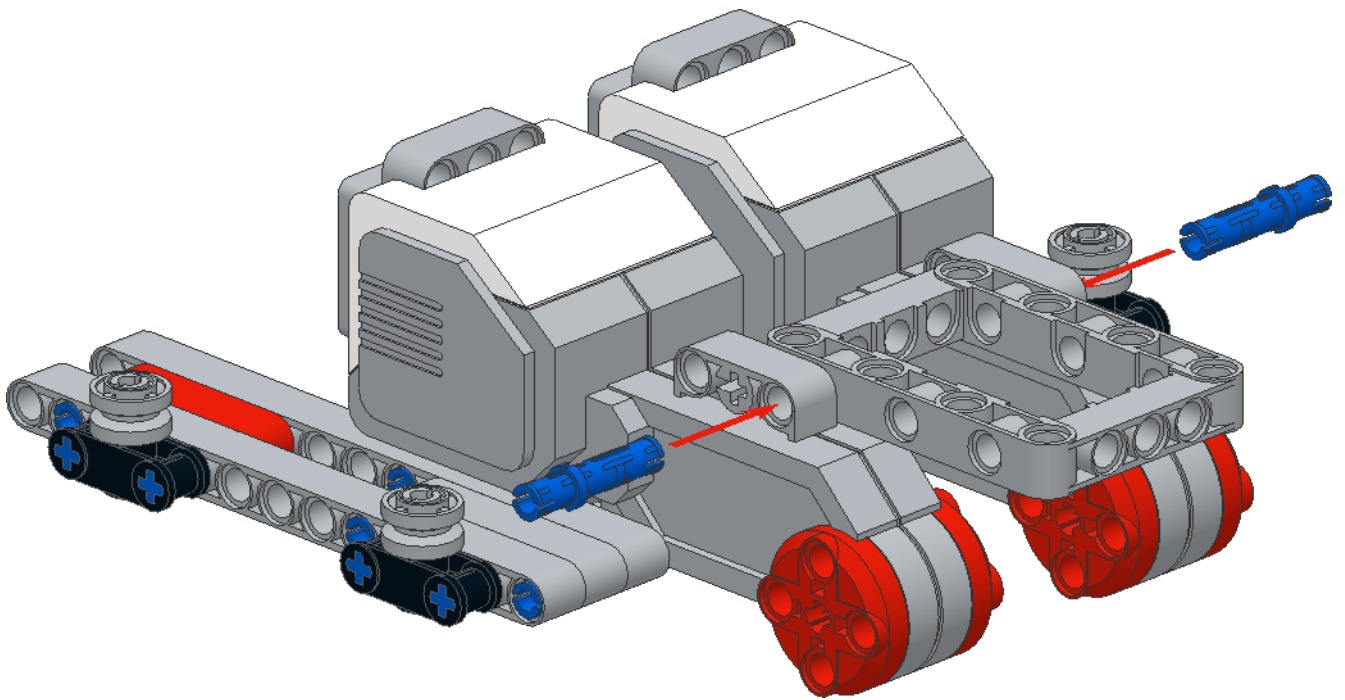
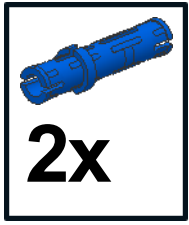
14

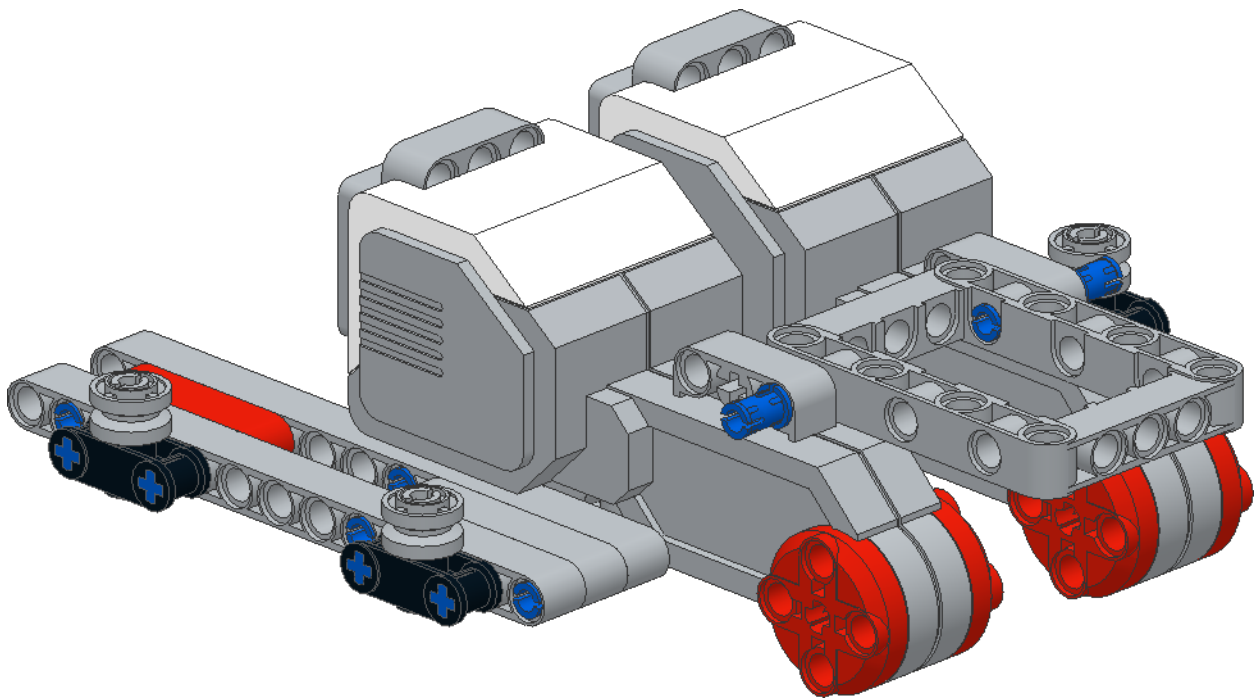


15

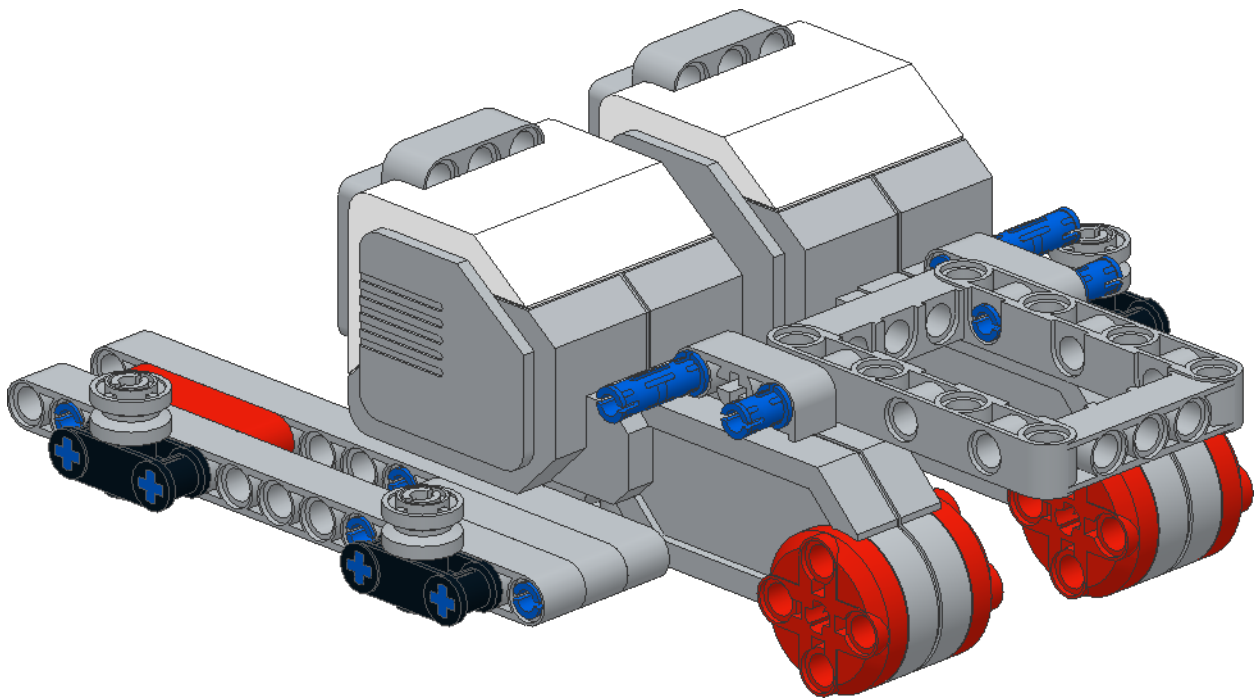
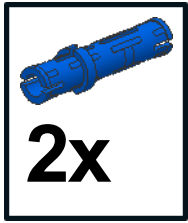


16

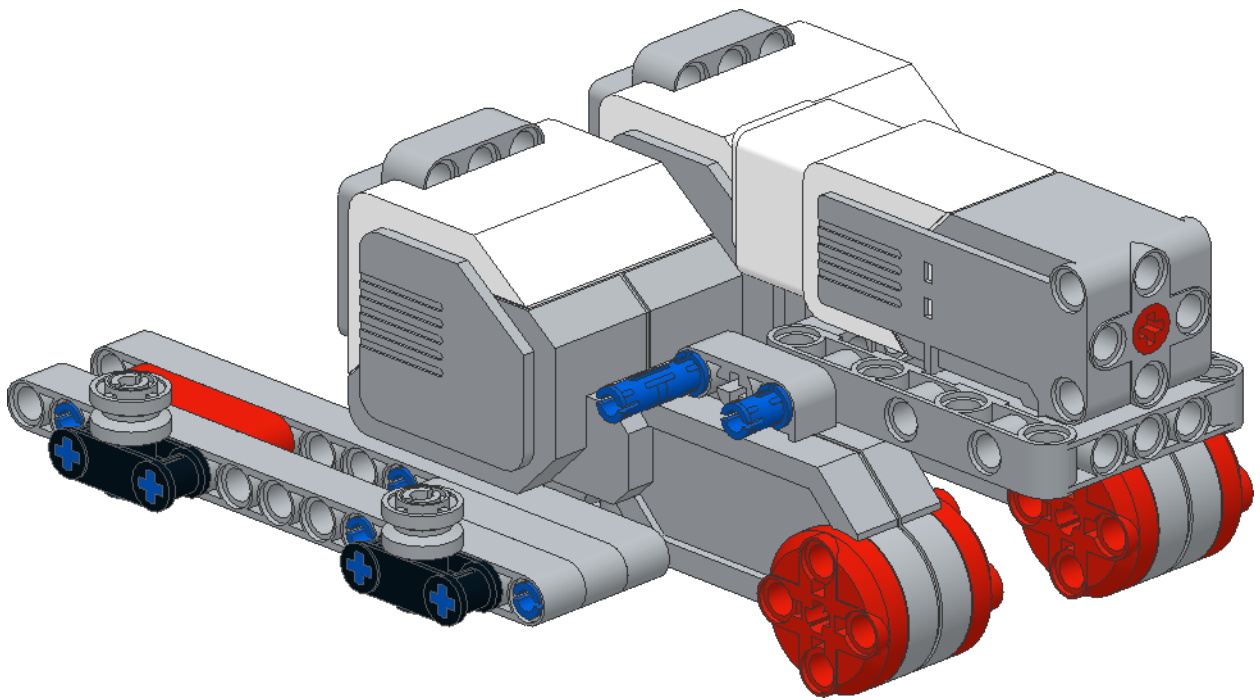
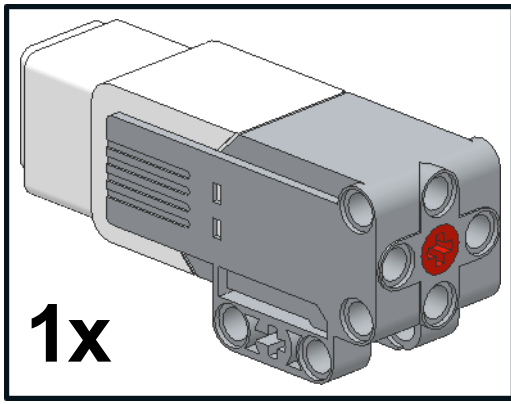




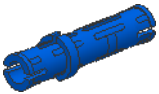
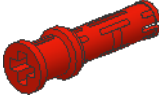
18

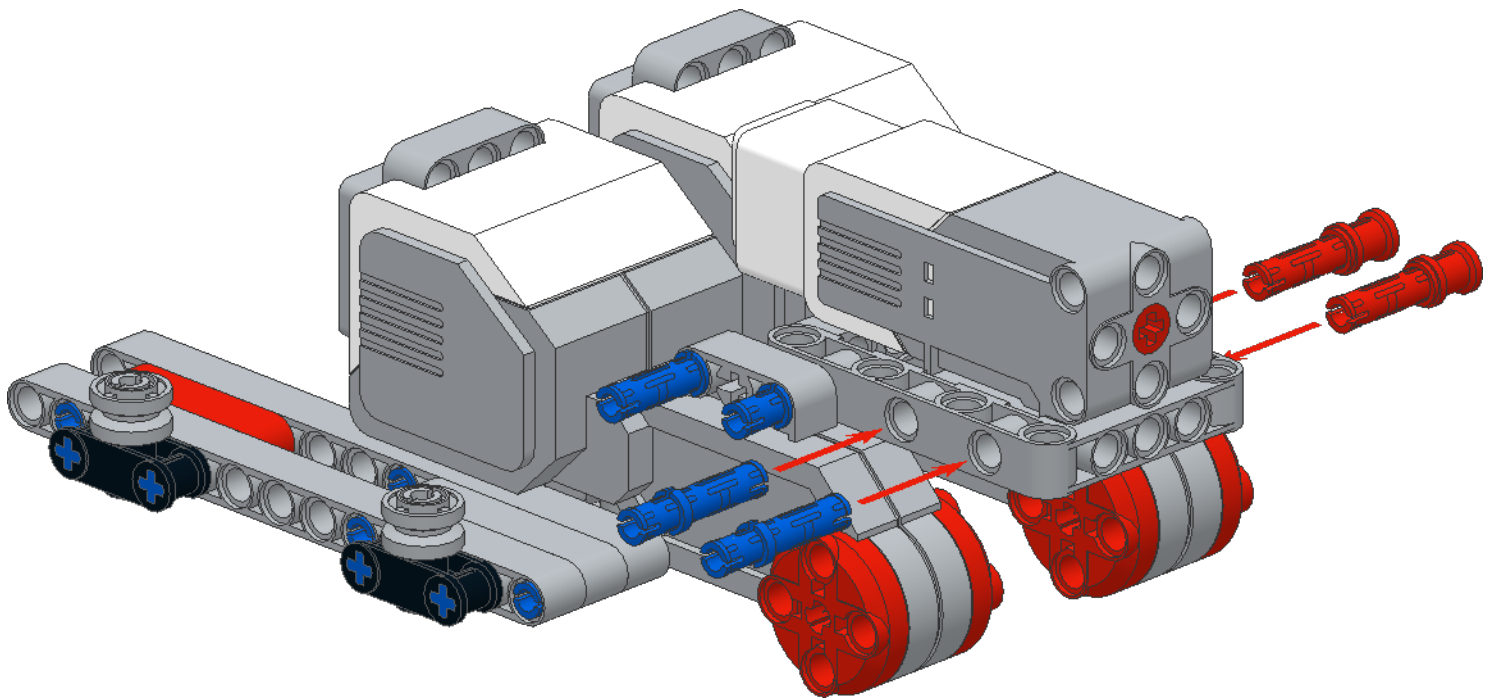


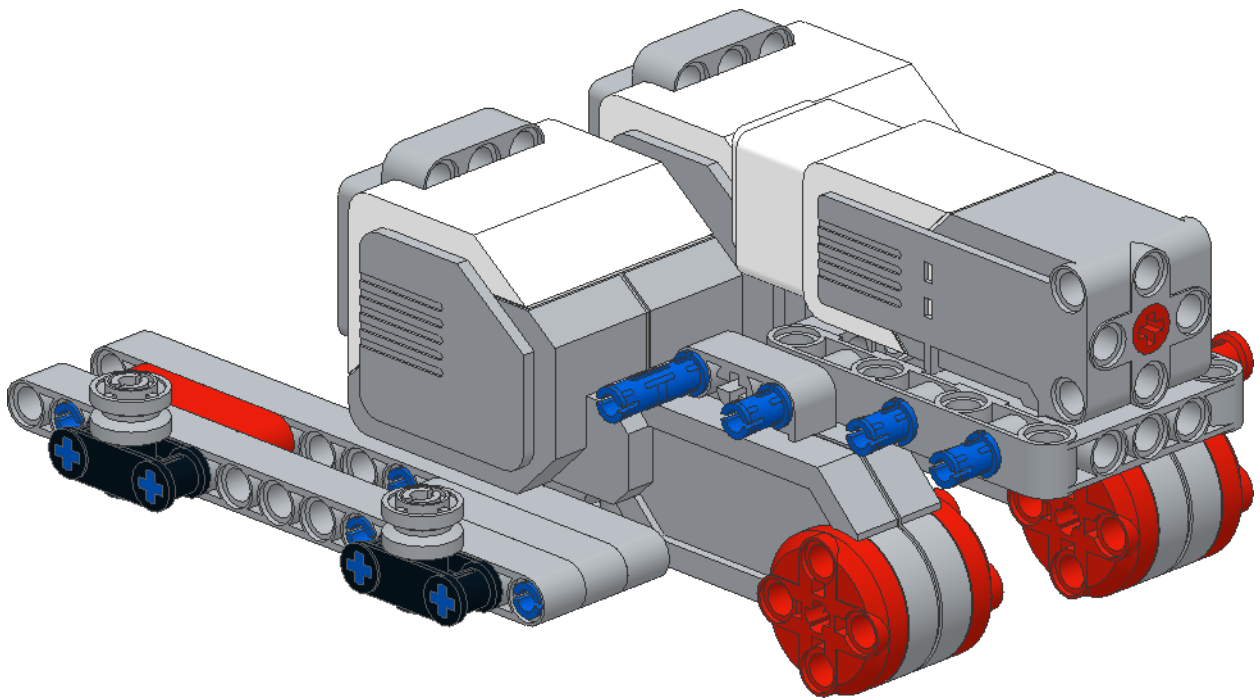
19



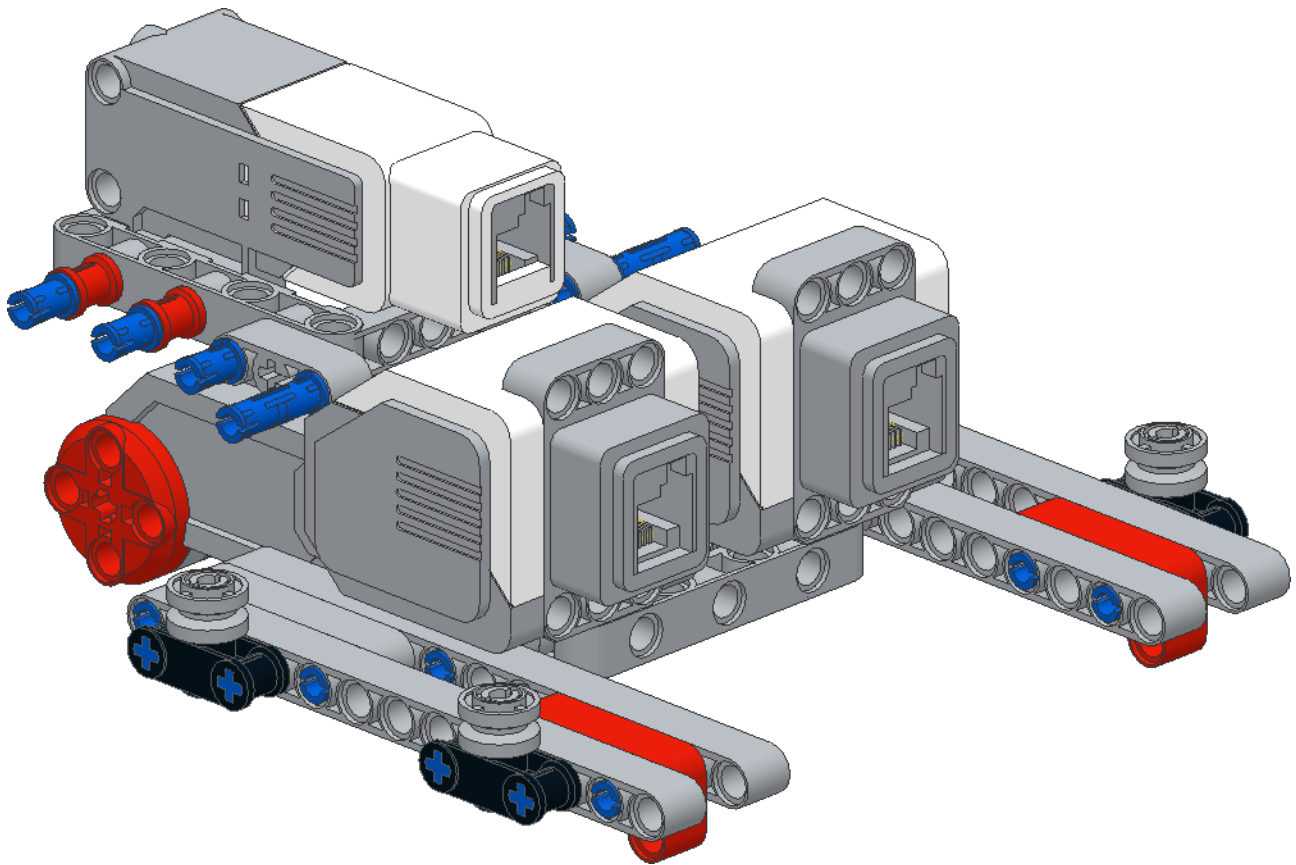
20


2x

2x

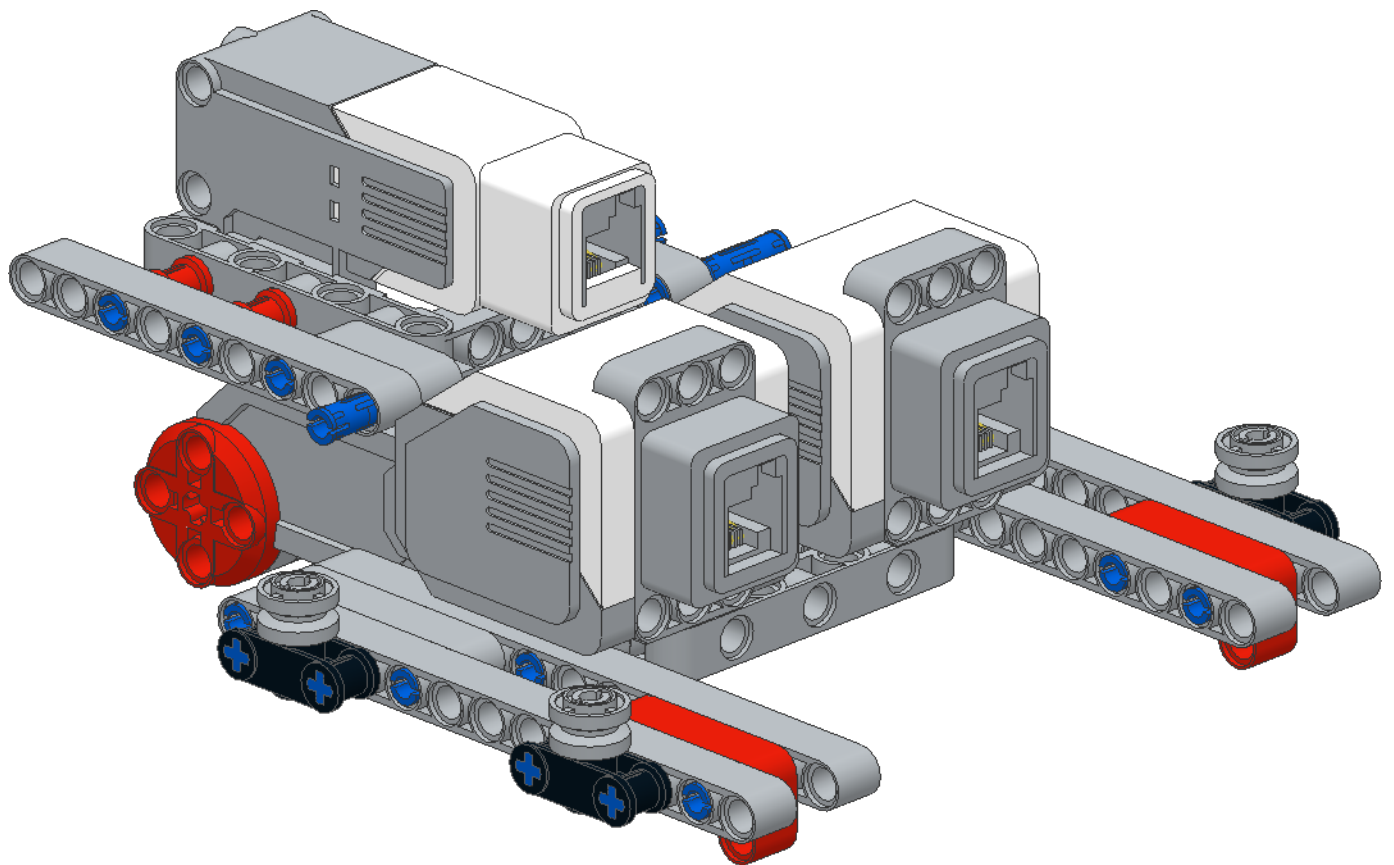
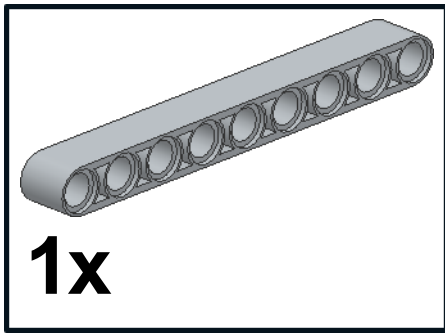




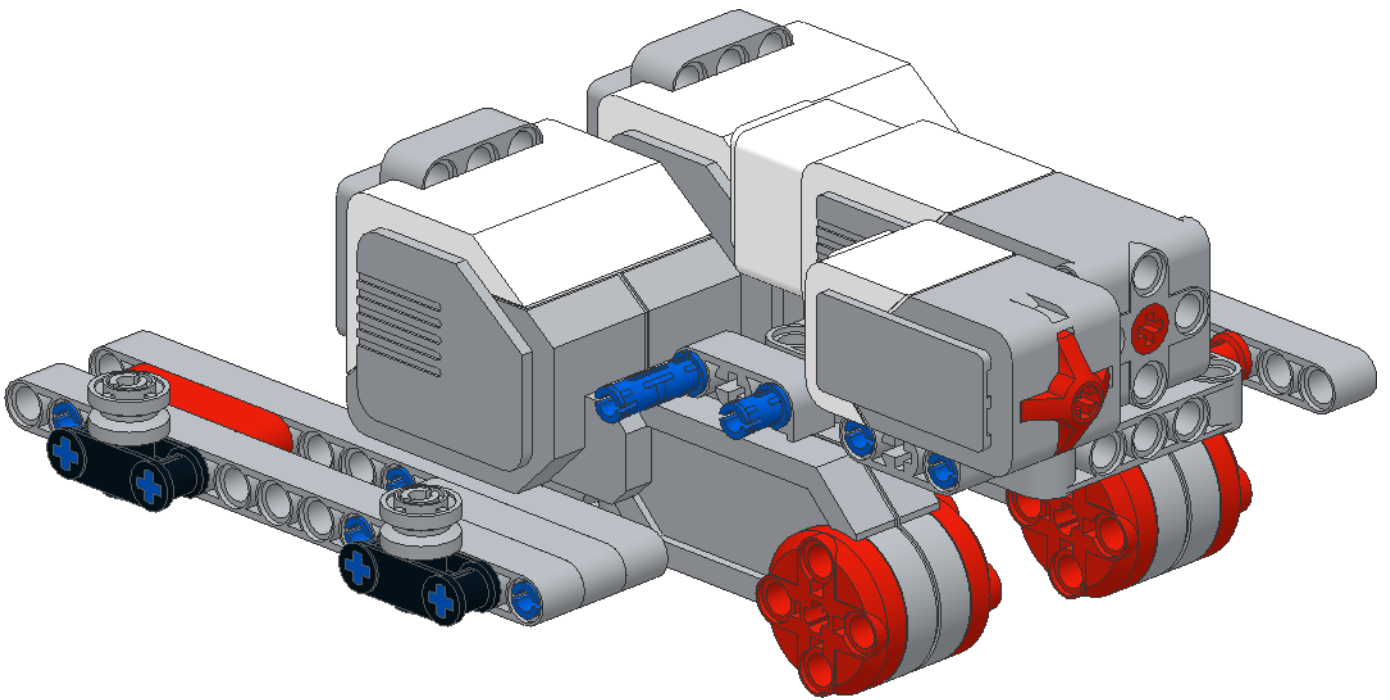
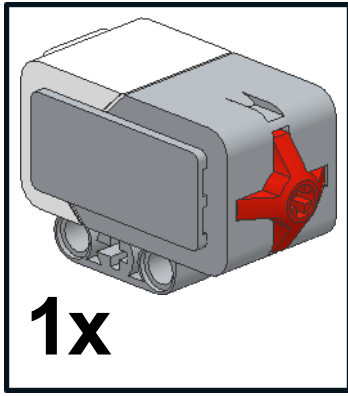
22



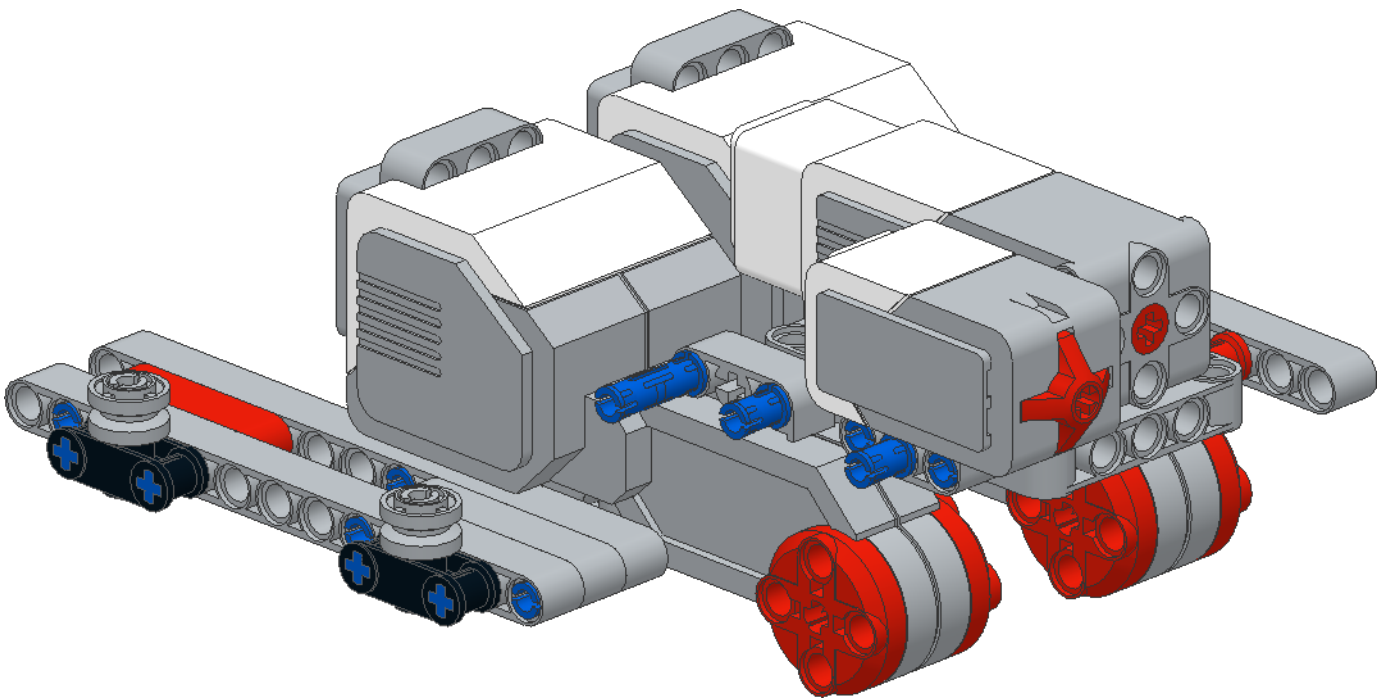
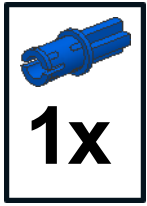
23



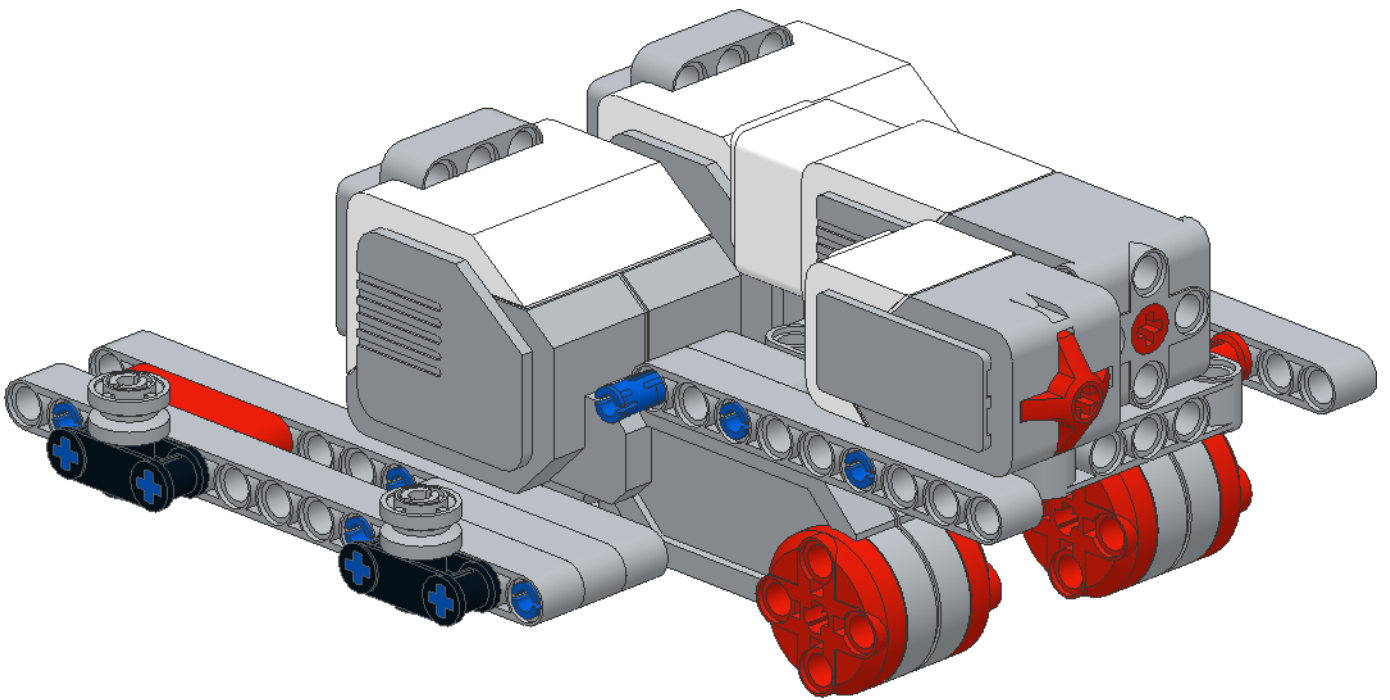
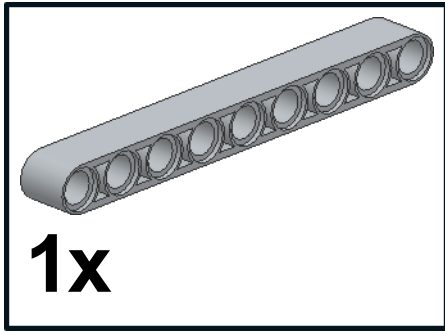
24



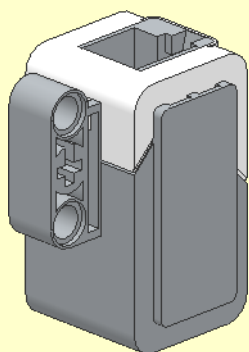
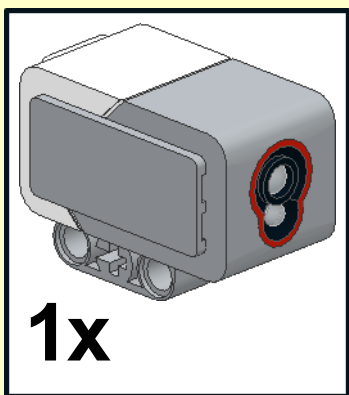
25



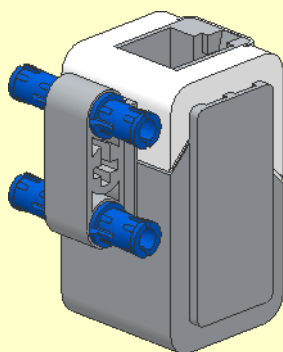
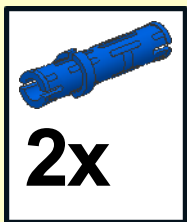
26



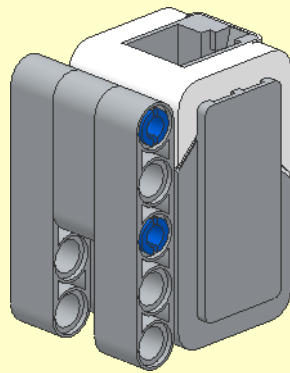
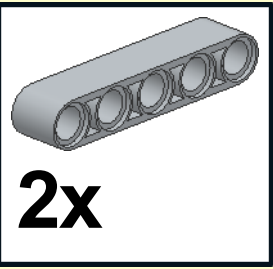
1



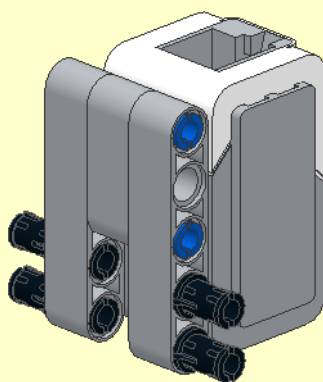
2



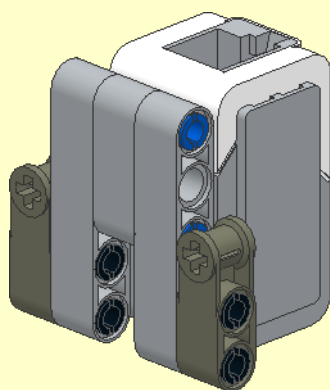
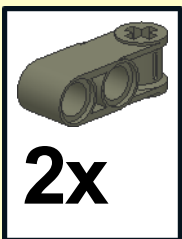
3




4
4x



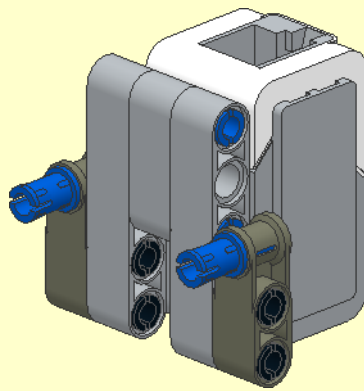
5

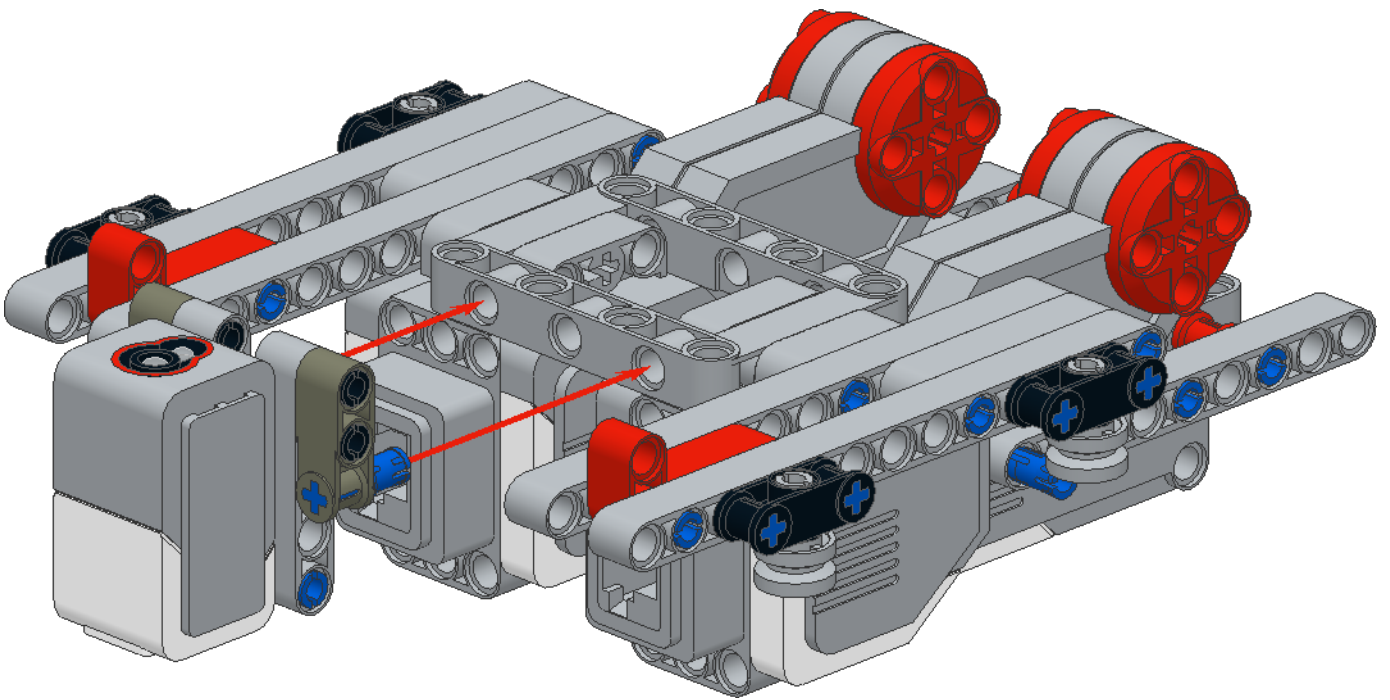


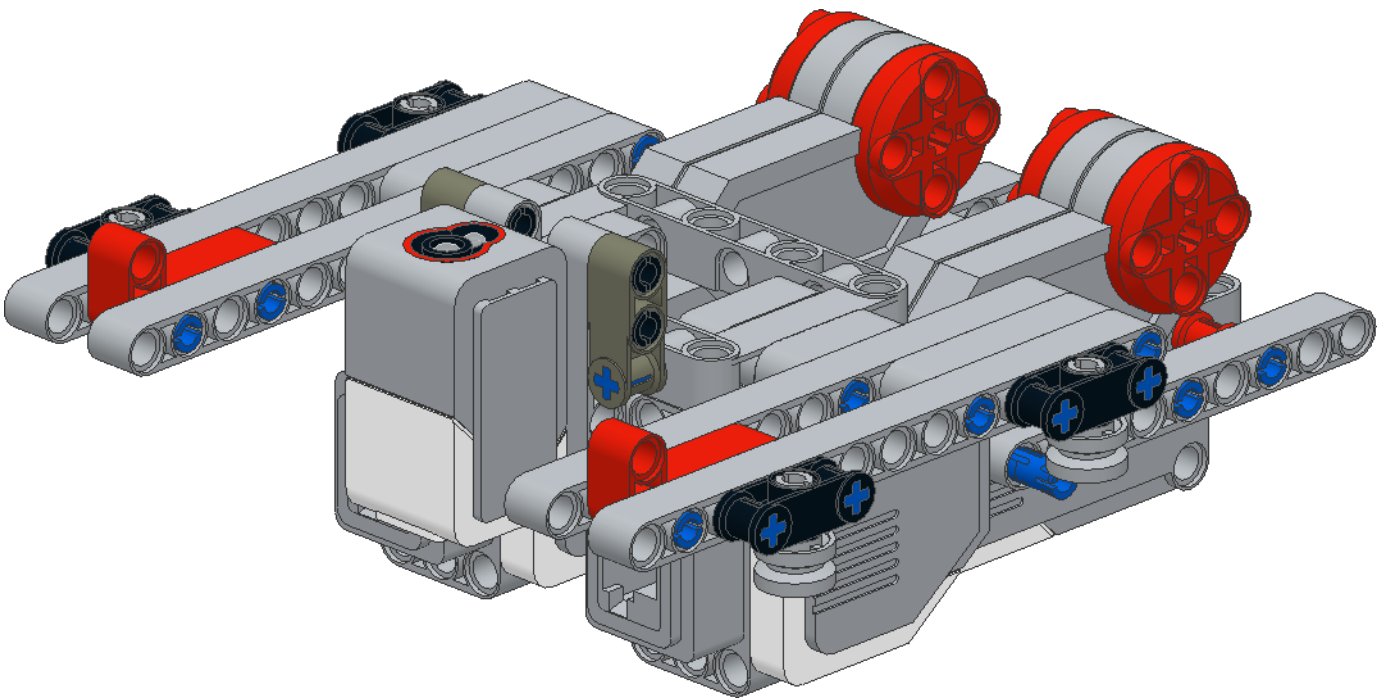
6



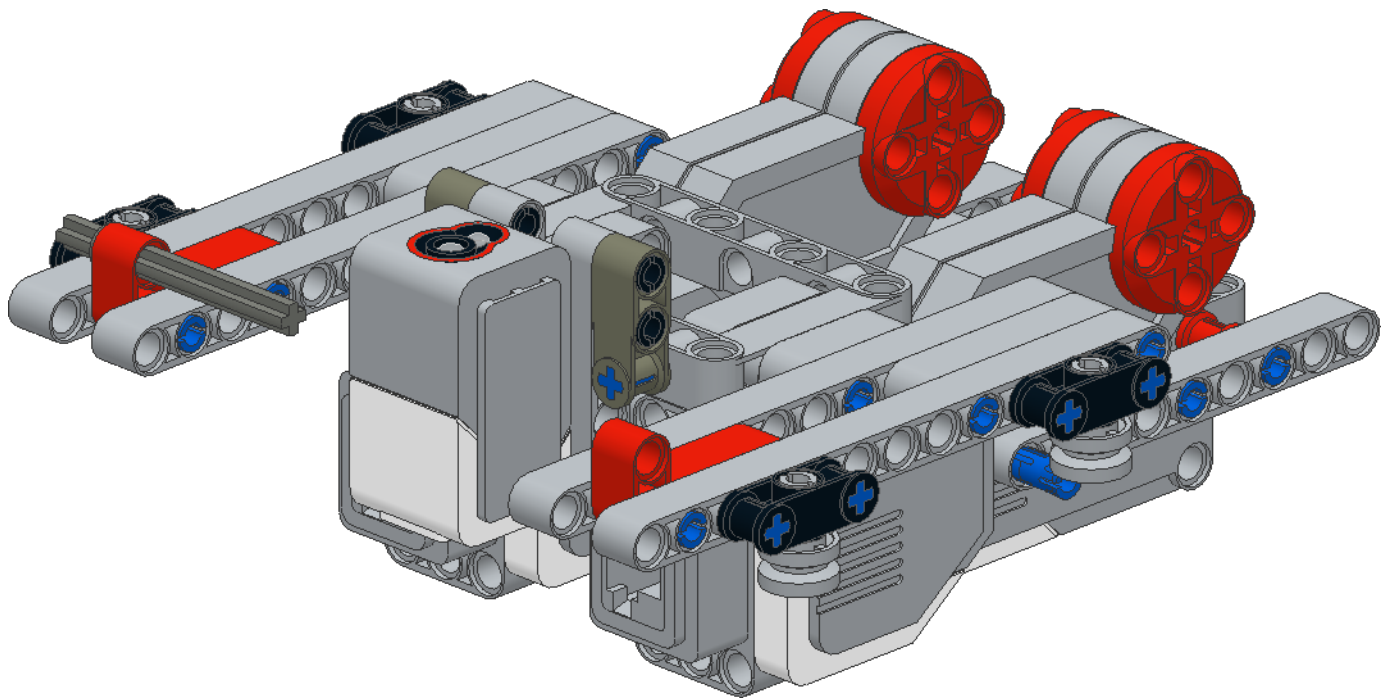
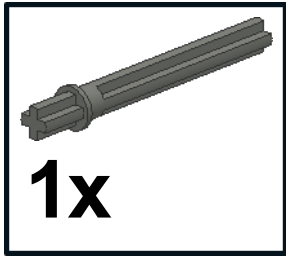
2x



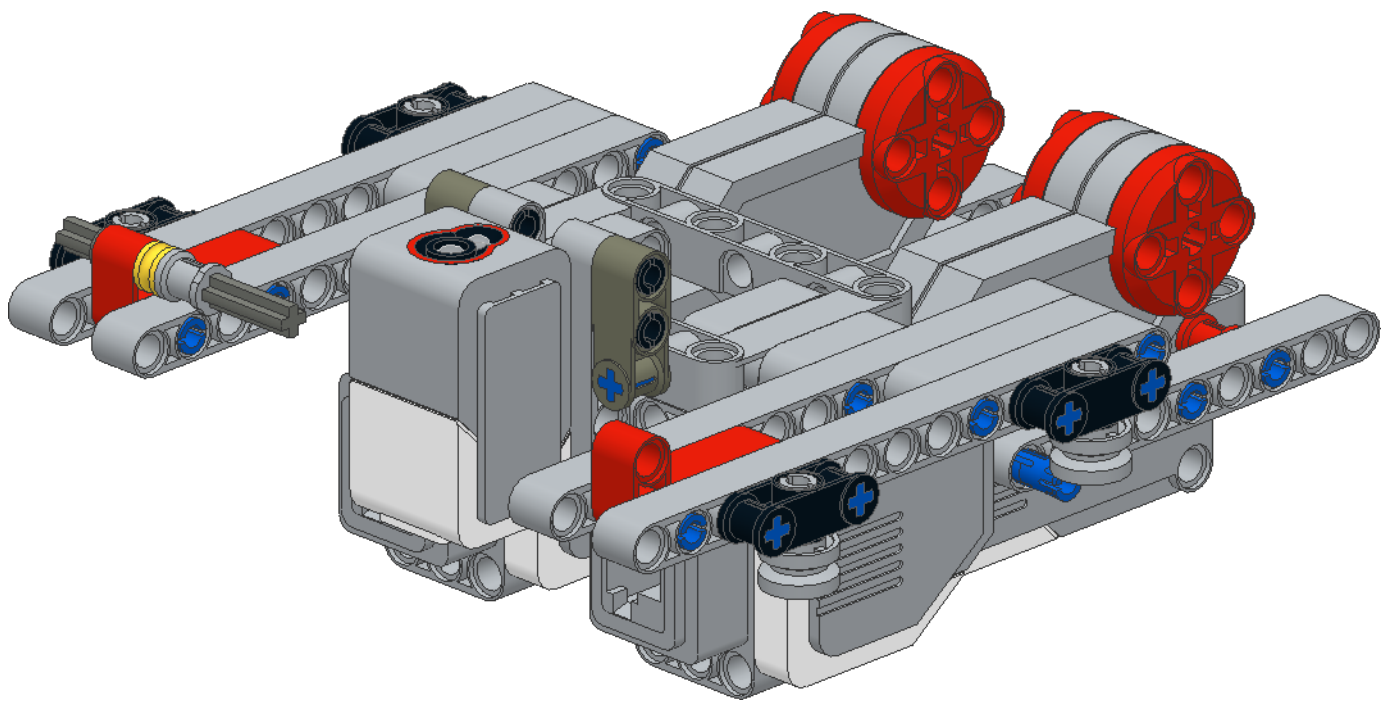
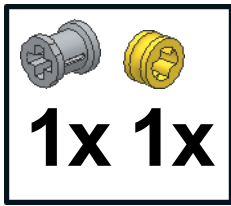




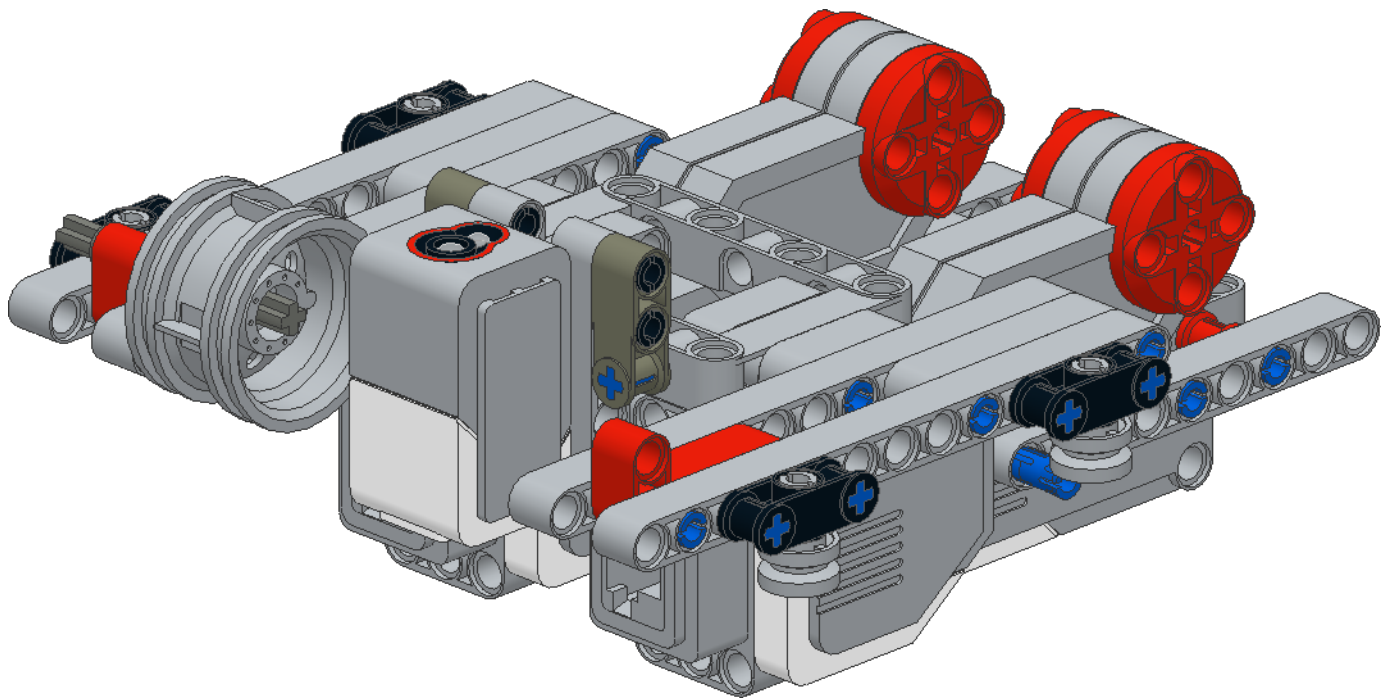
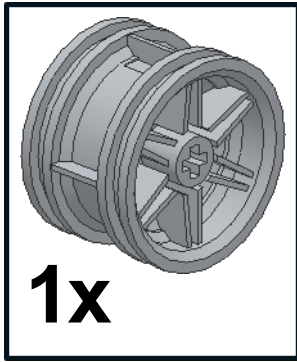
29



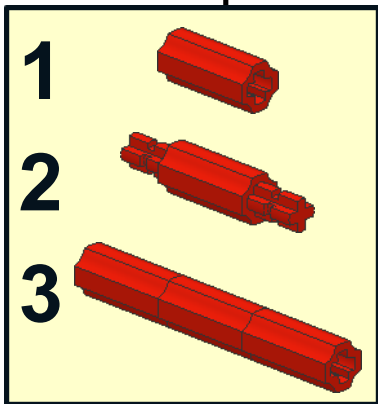
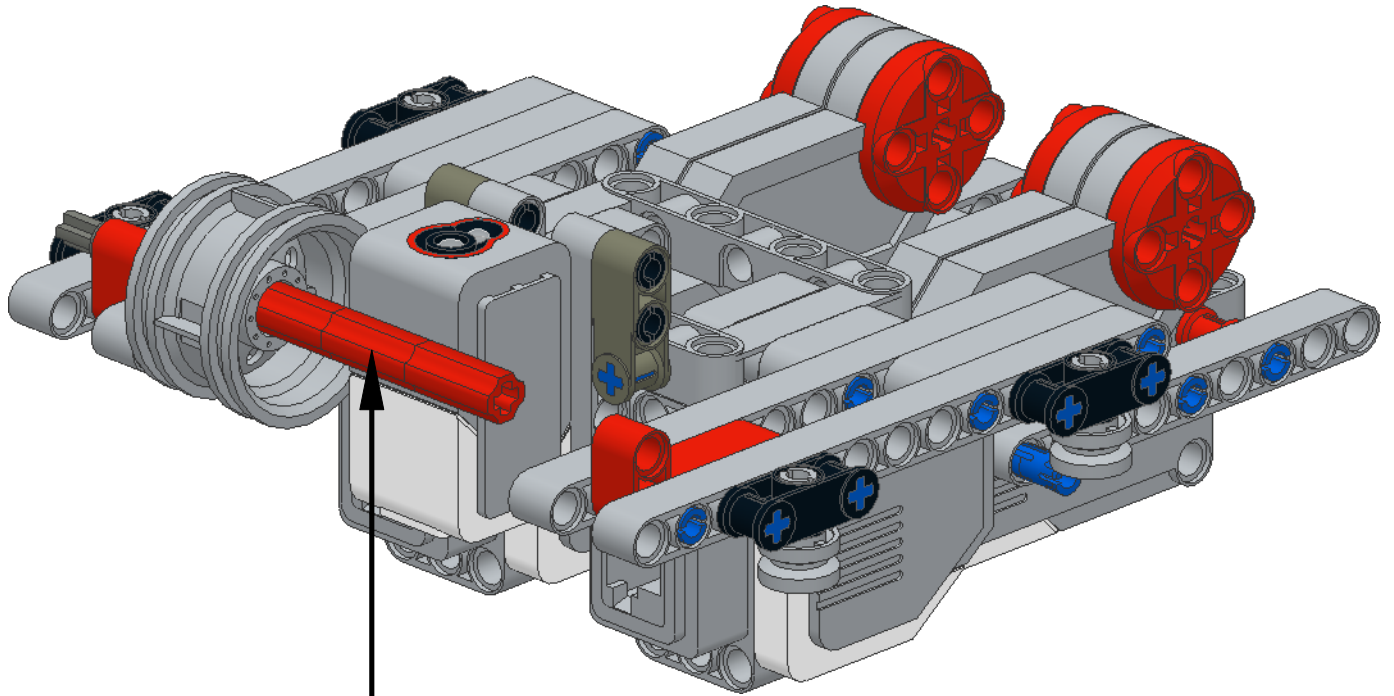
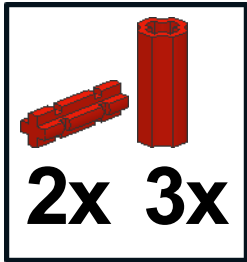
30



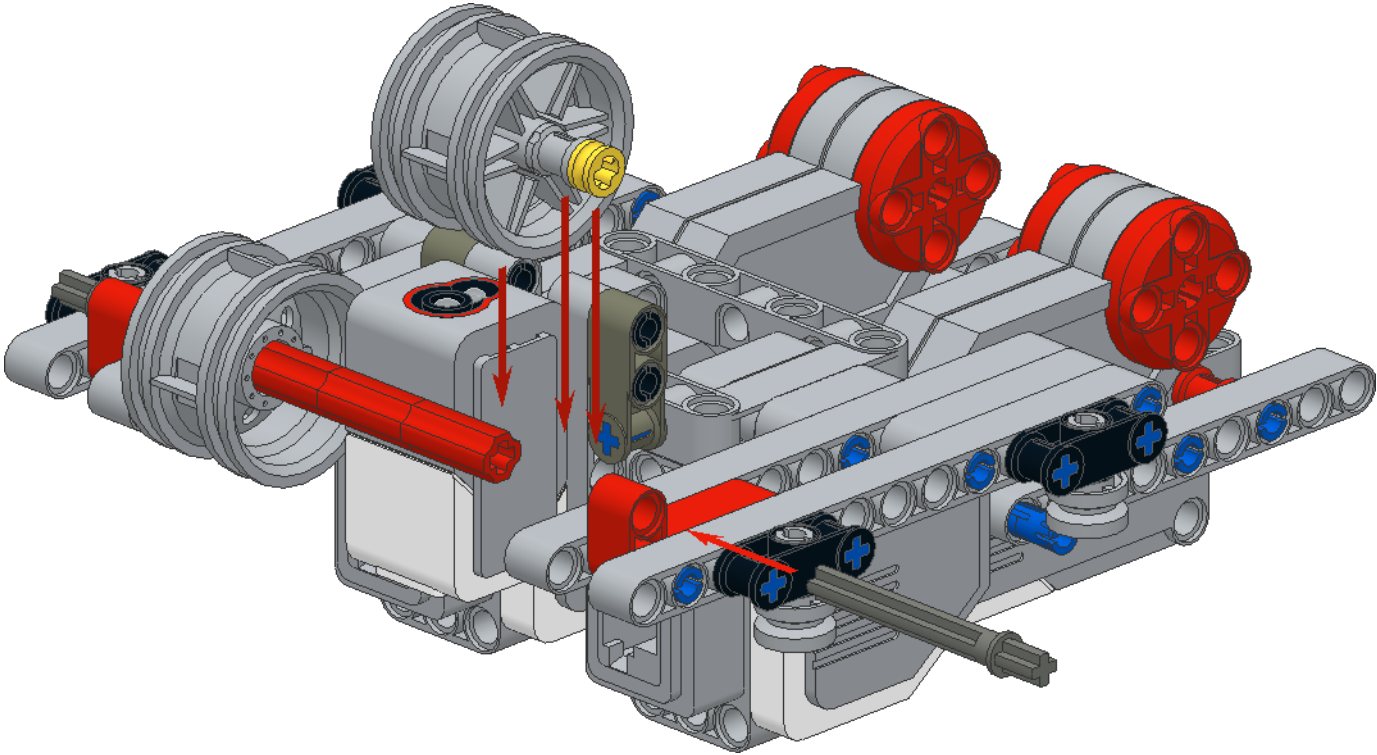
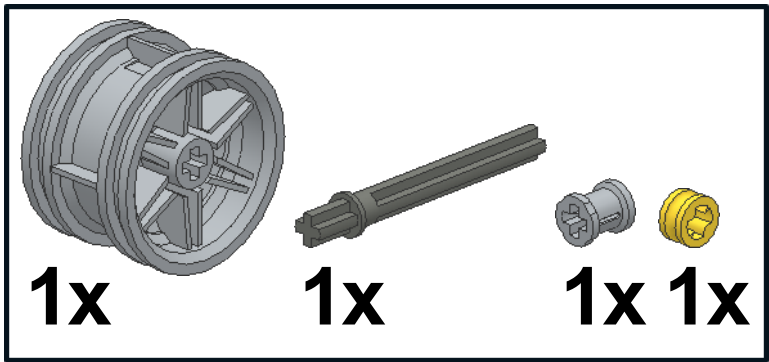
31

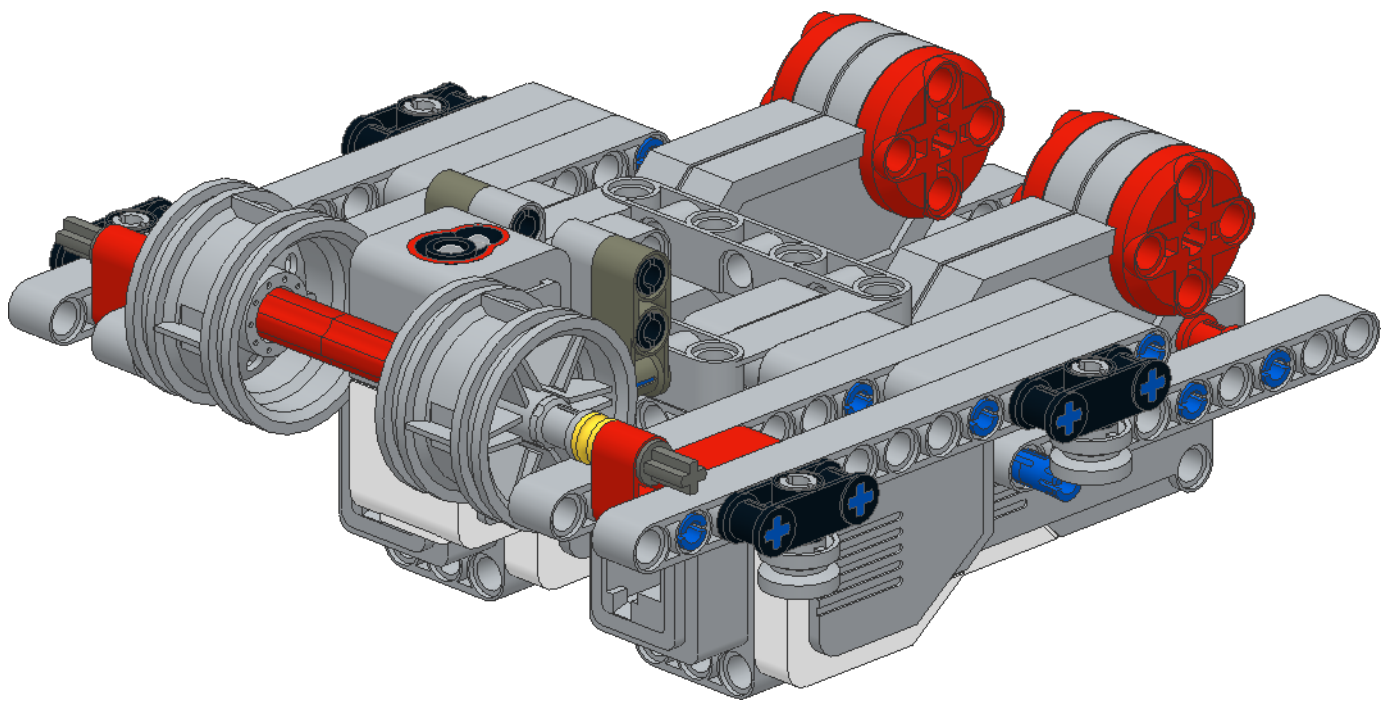


32

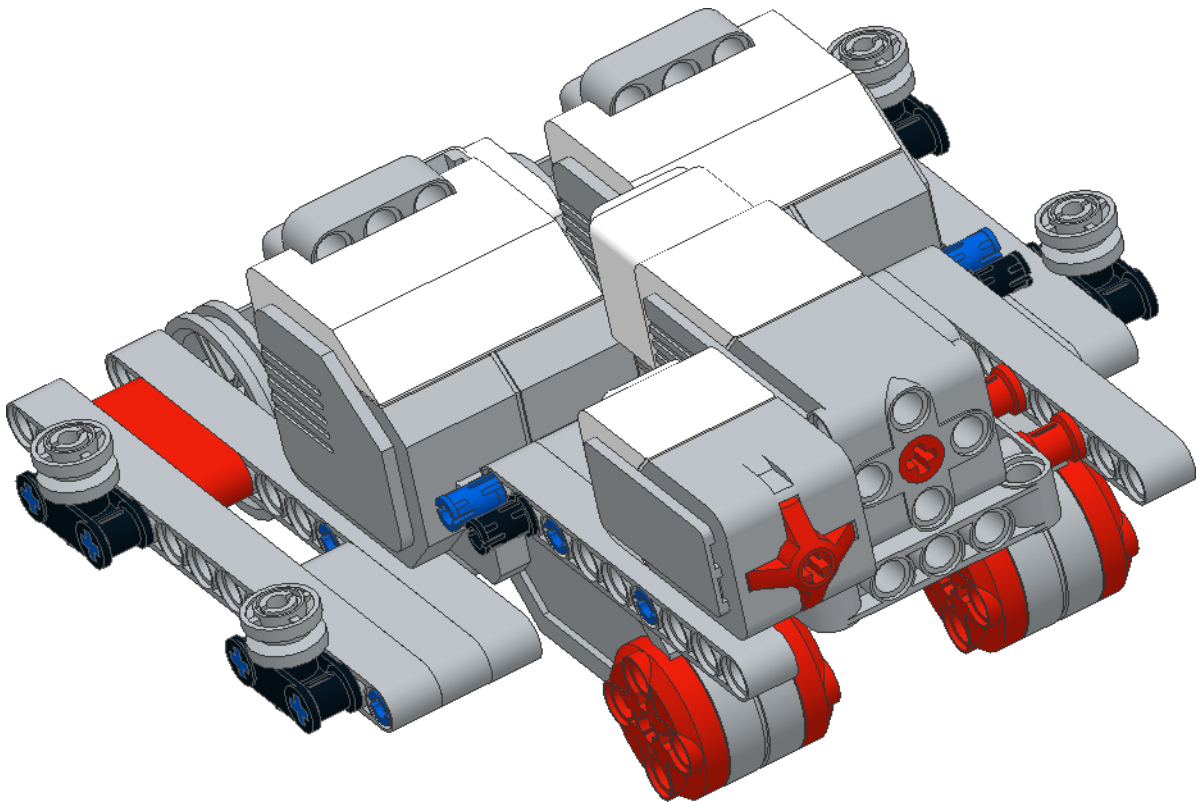


33

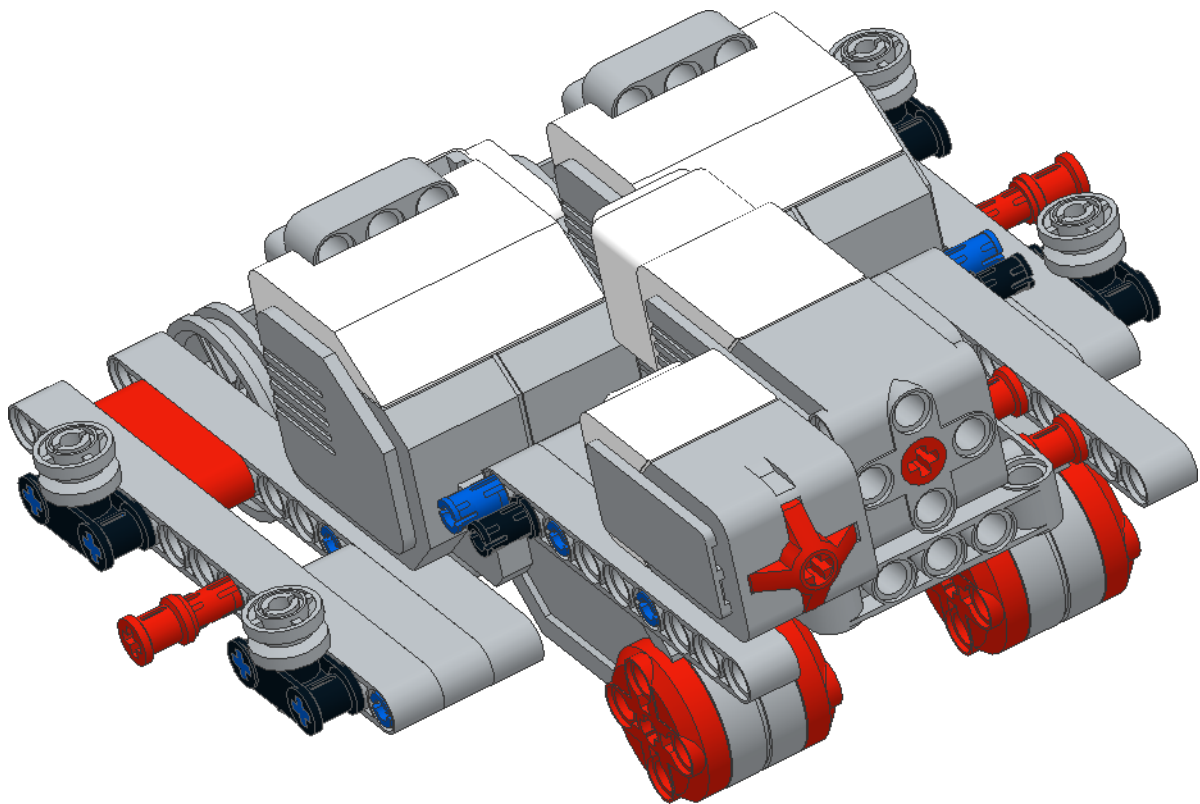
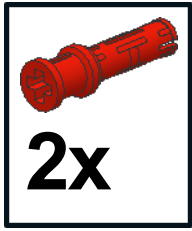




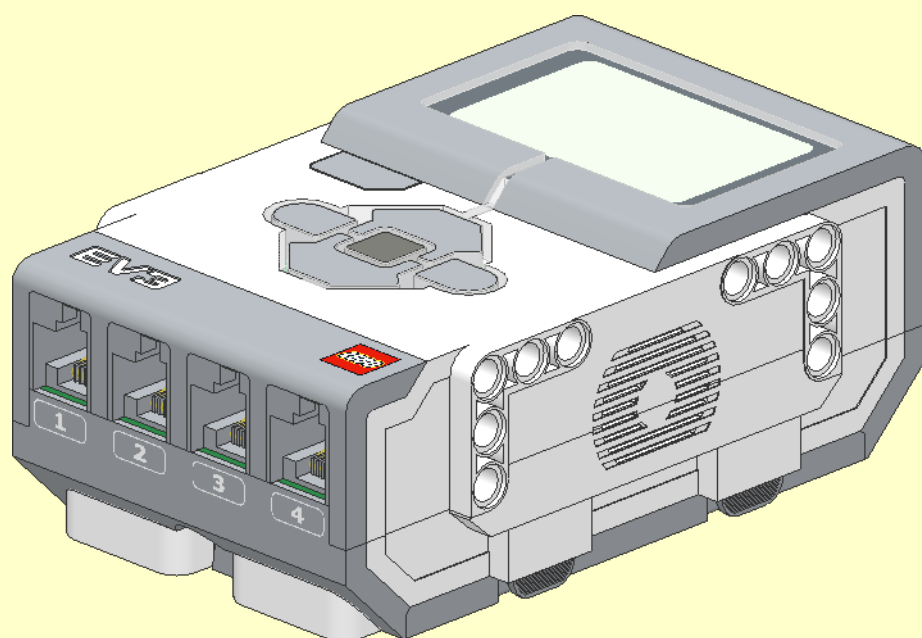
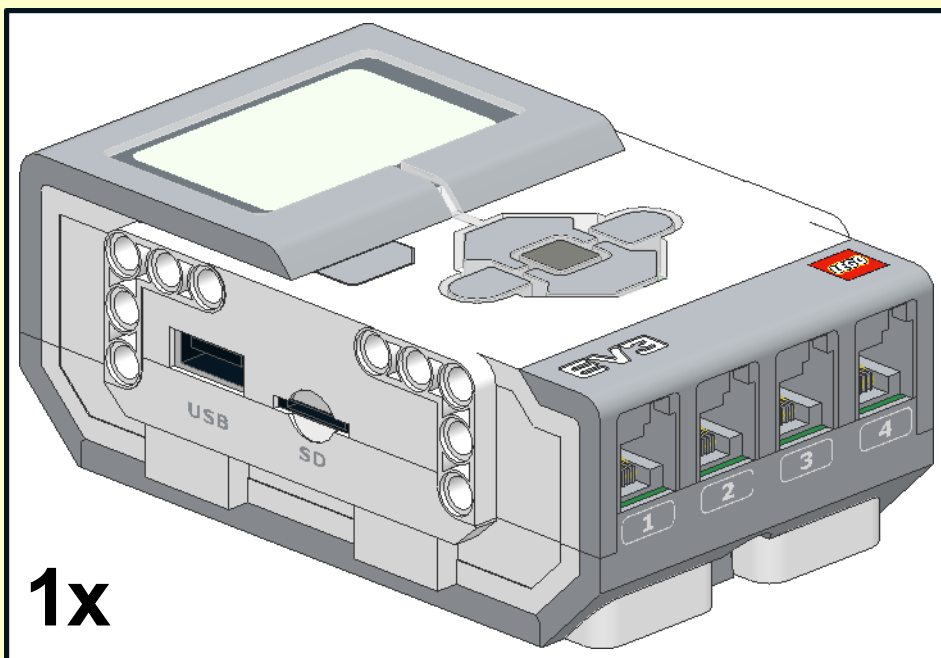
35



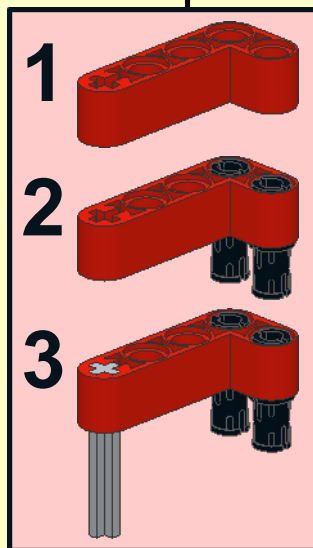
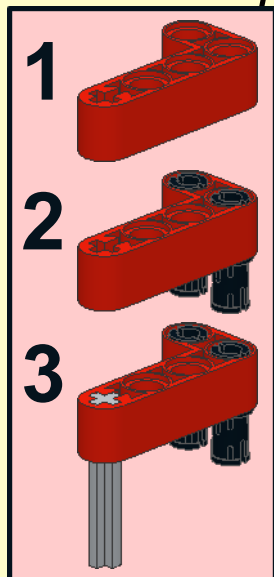
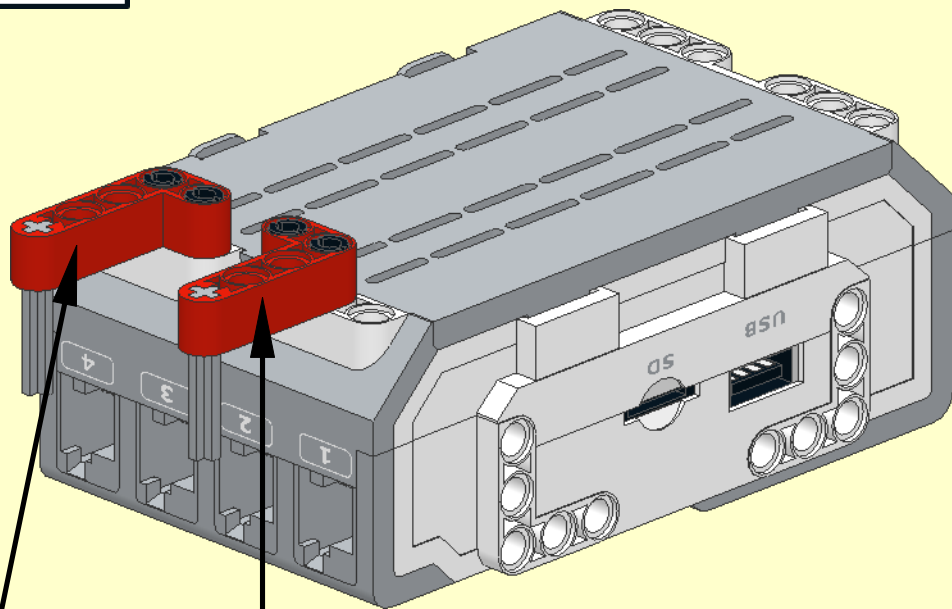
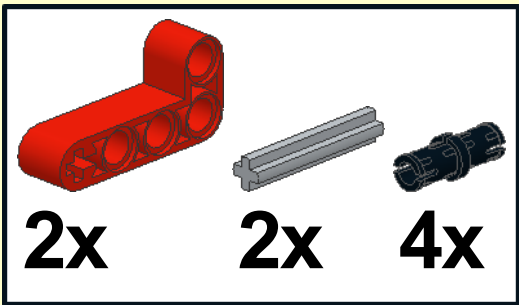
36



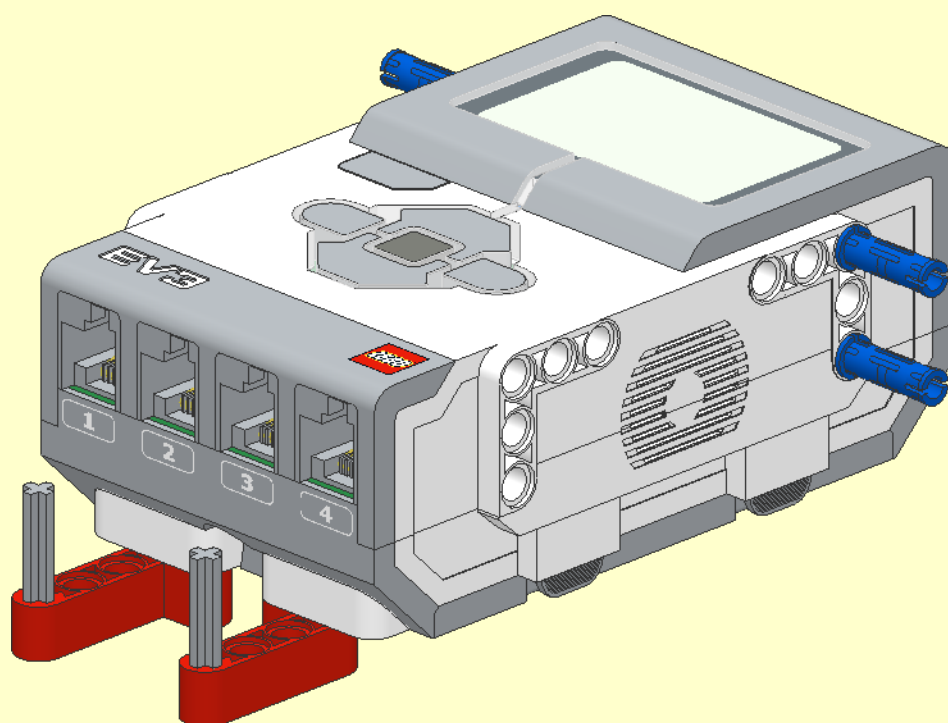
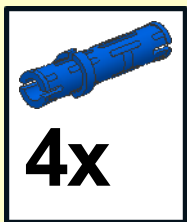
1



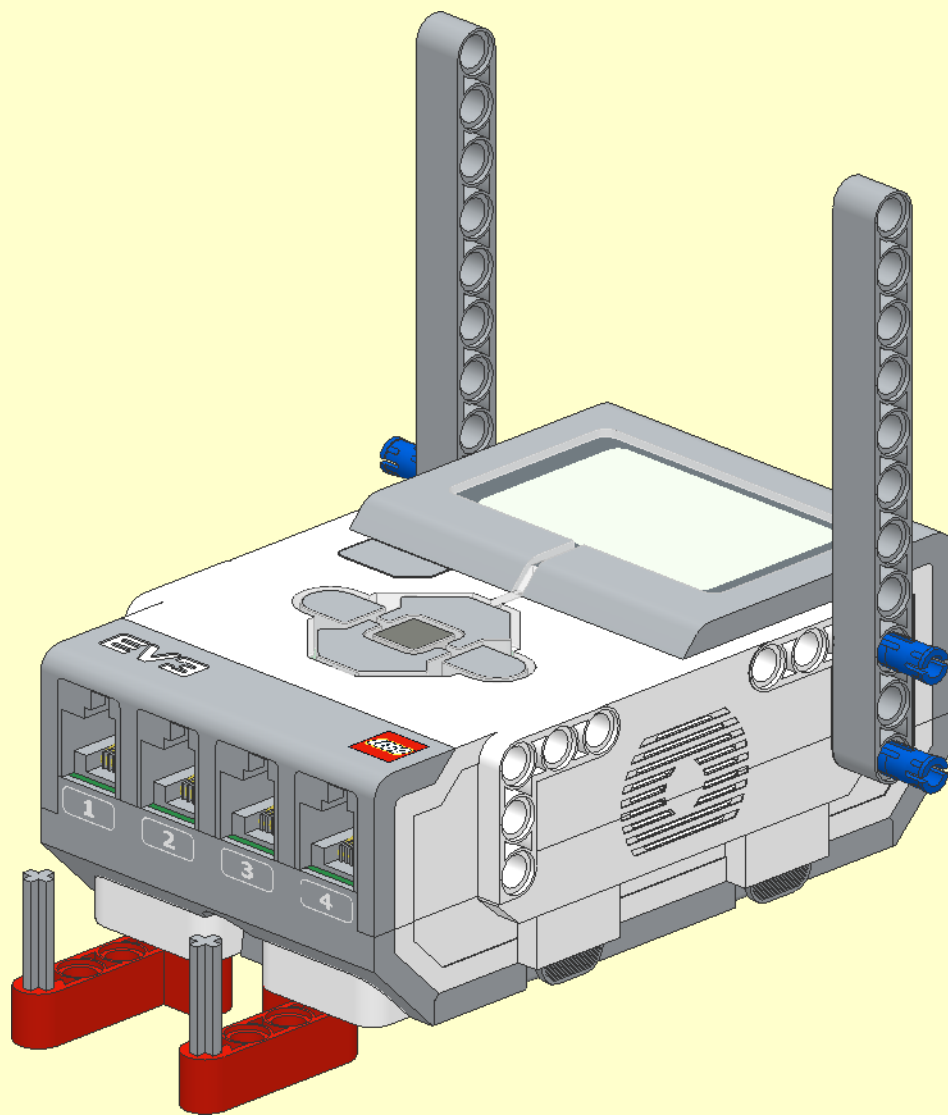
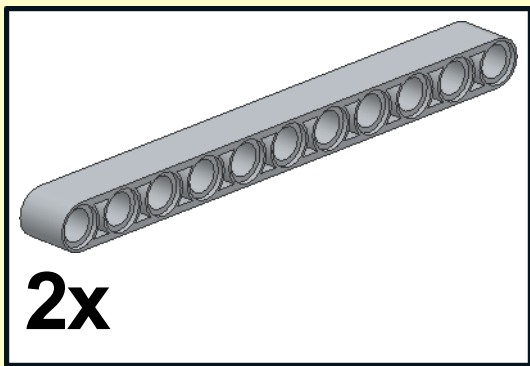
2



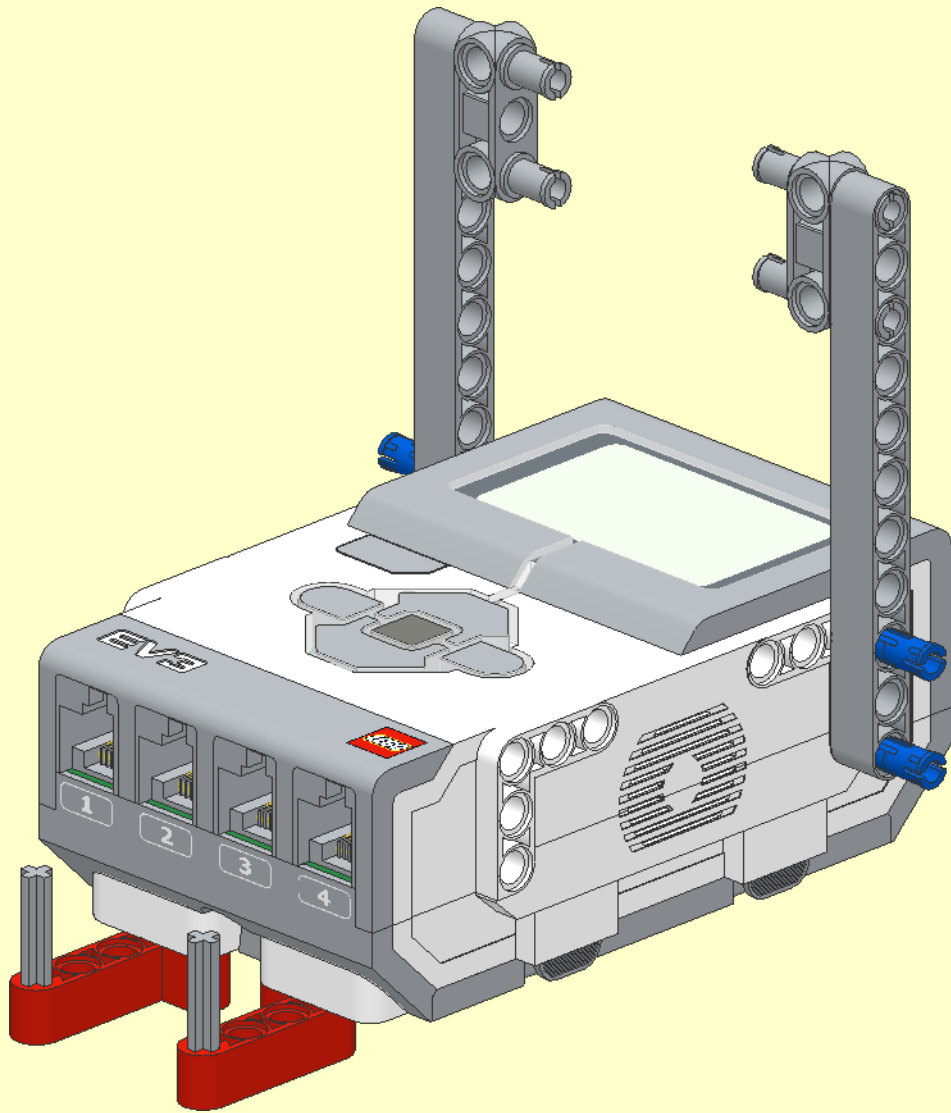
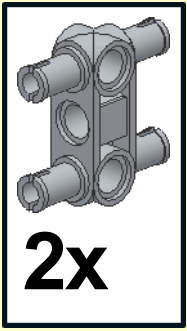
3



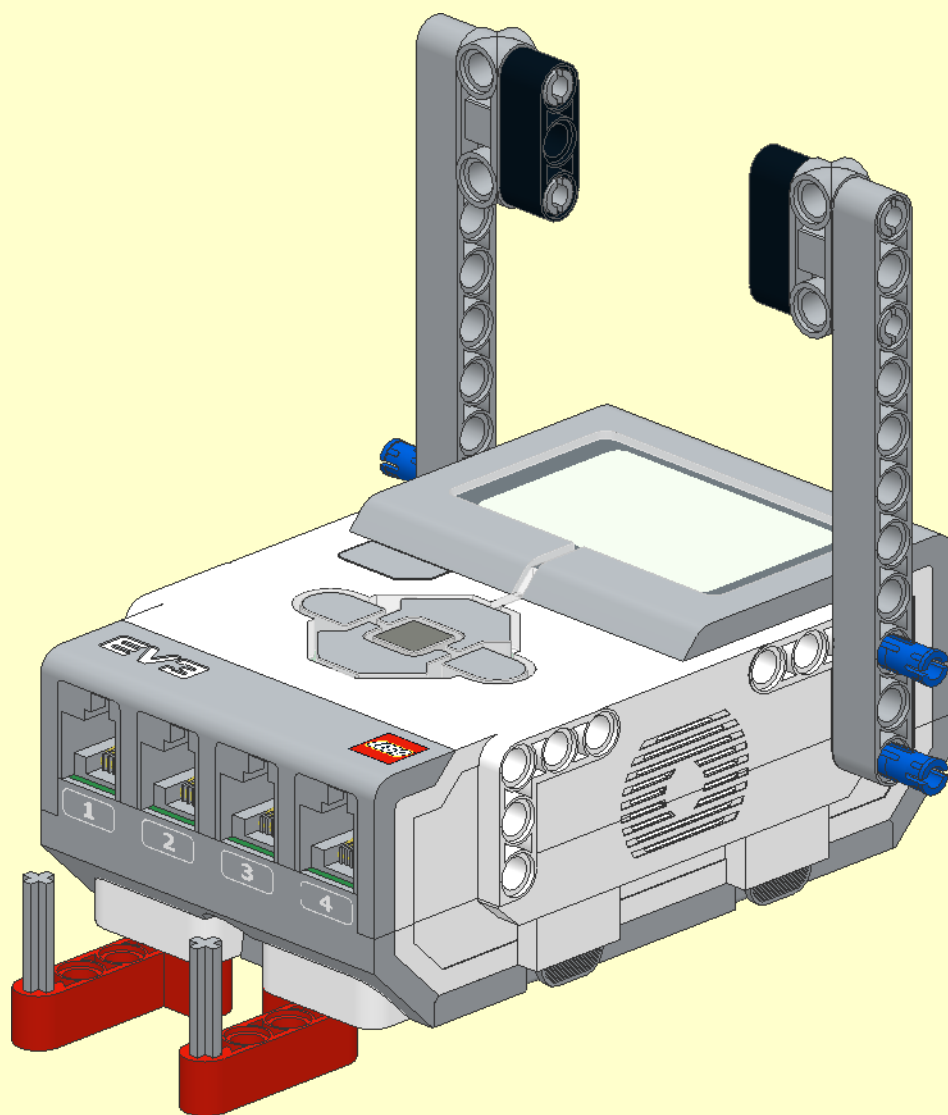
4



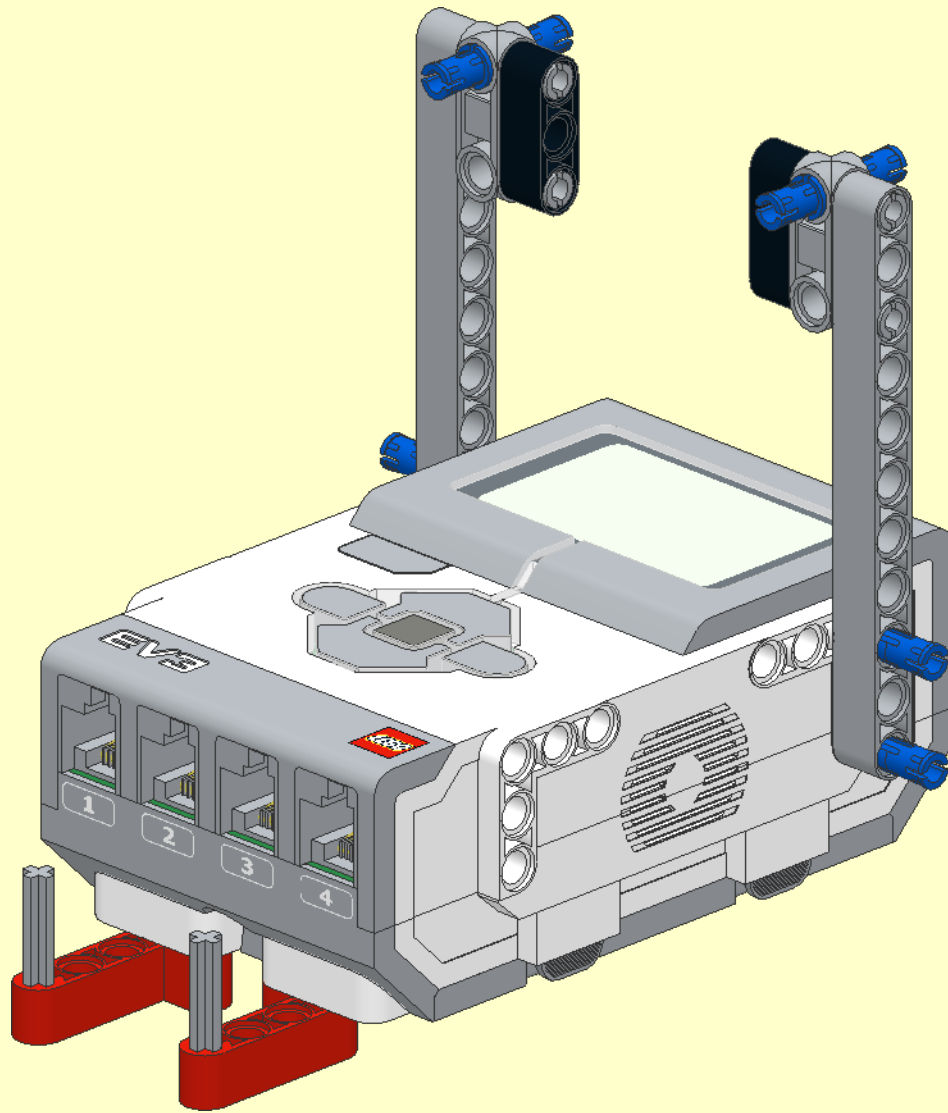
5



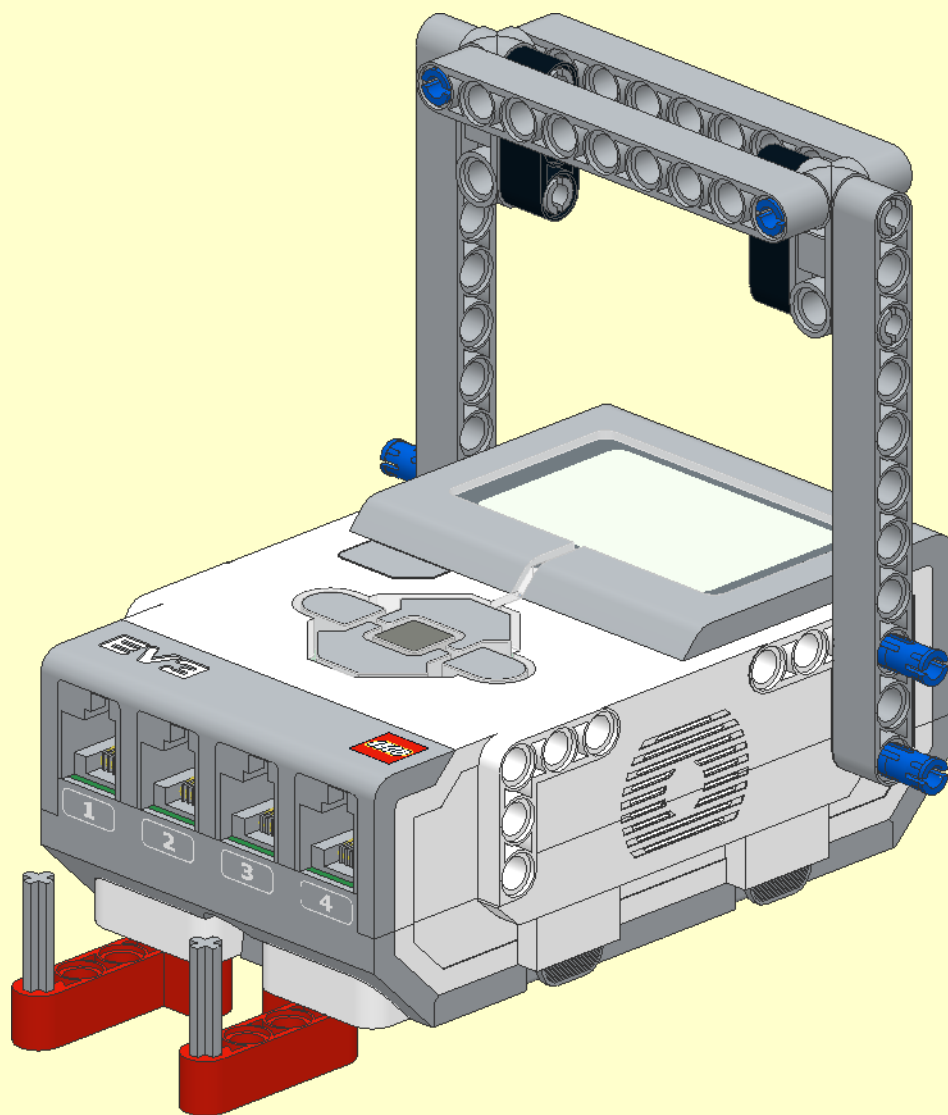
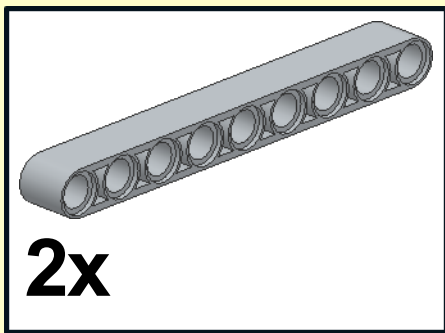
6



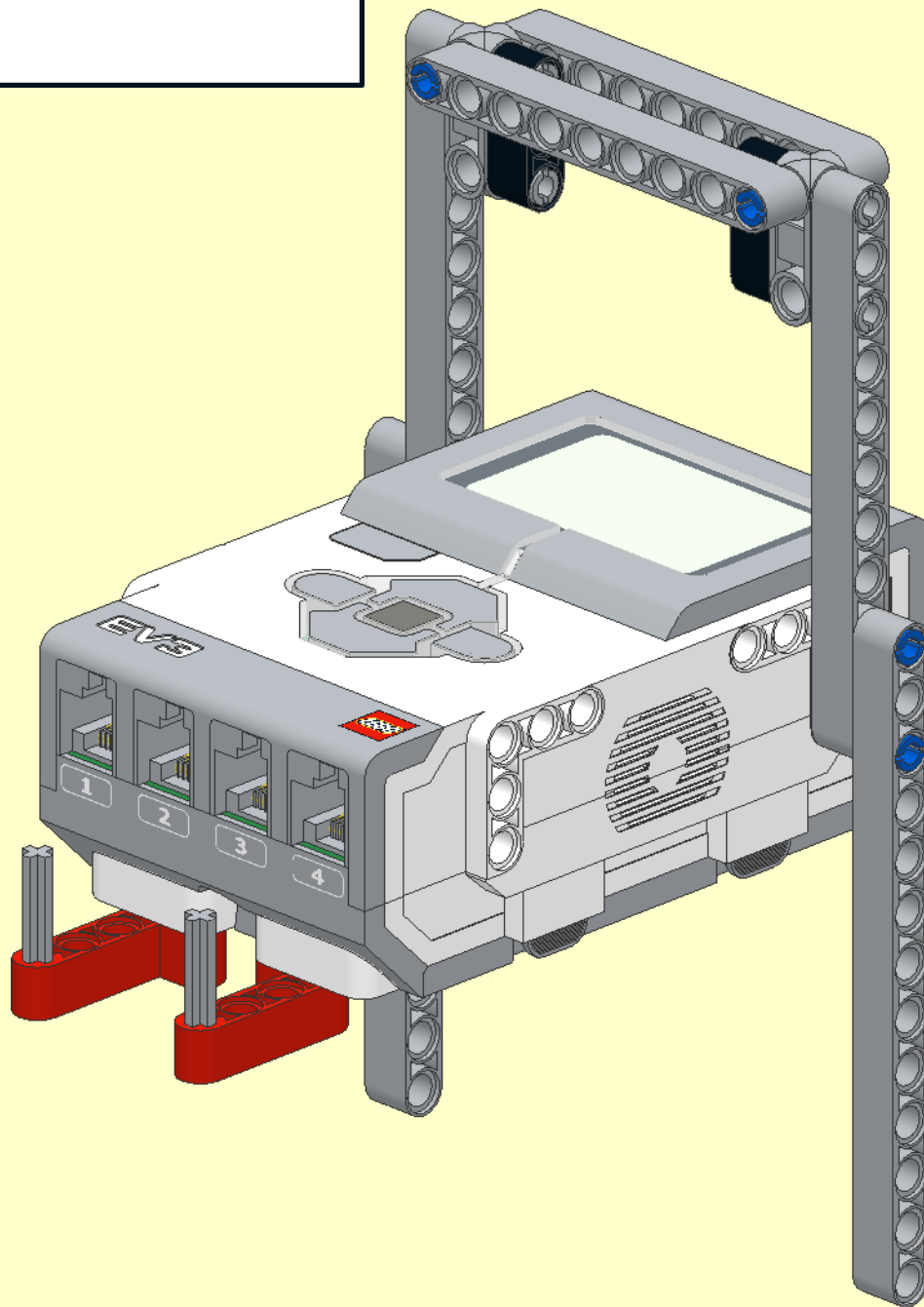
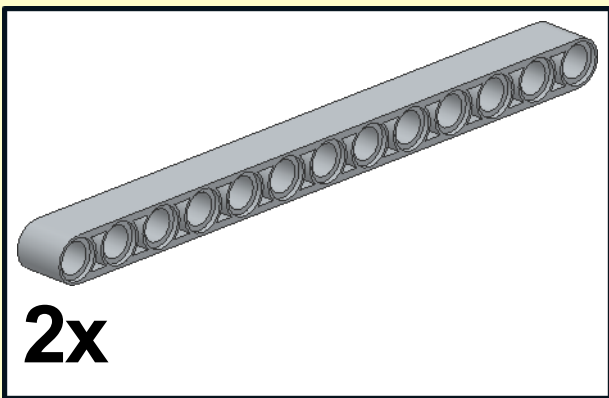
7
2x

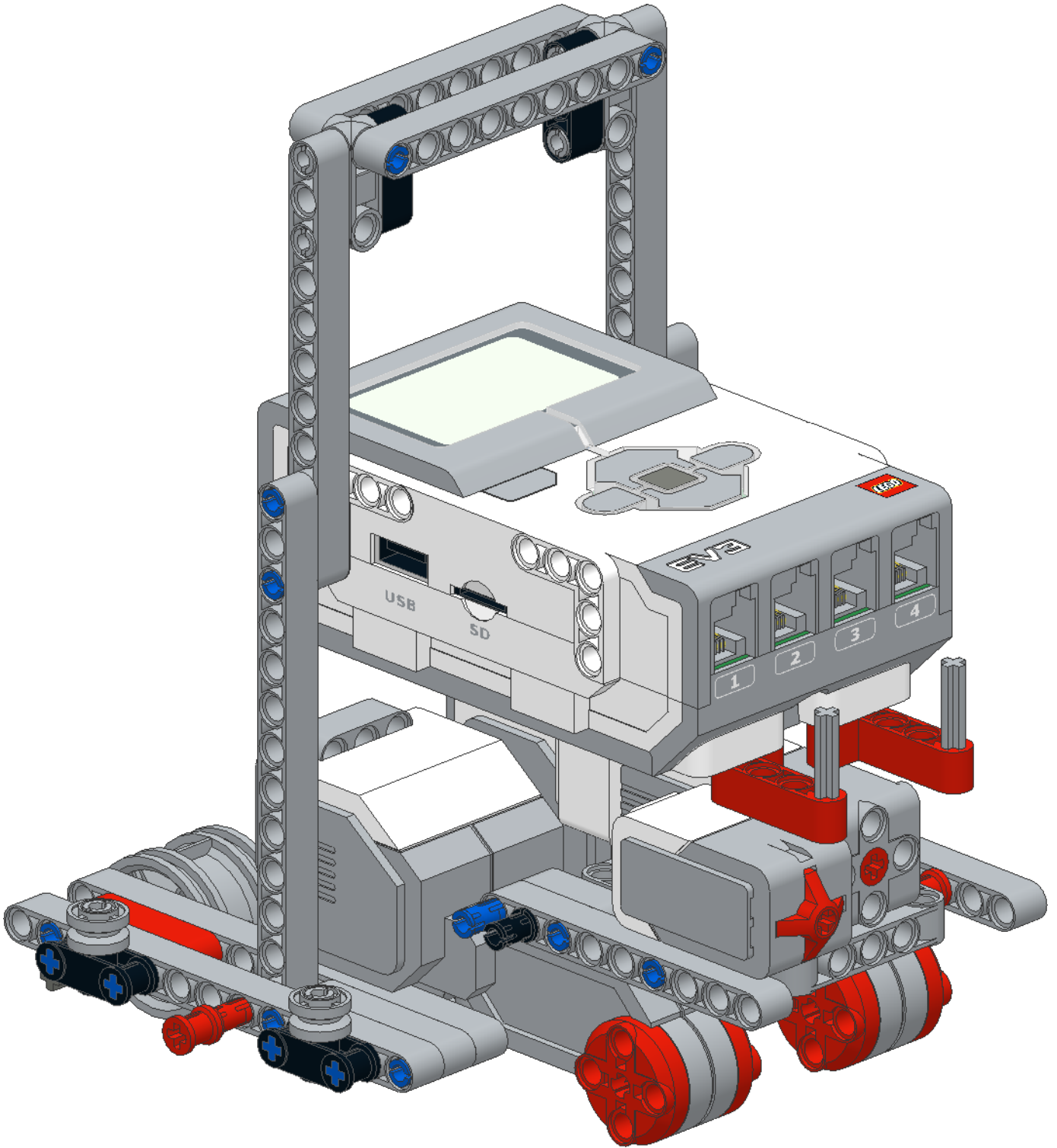


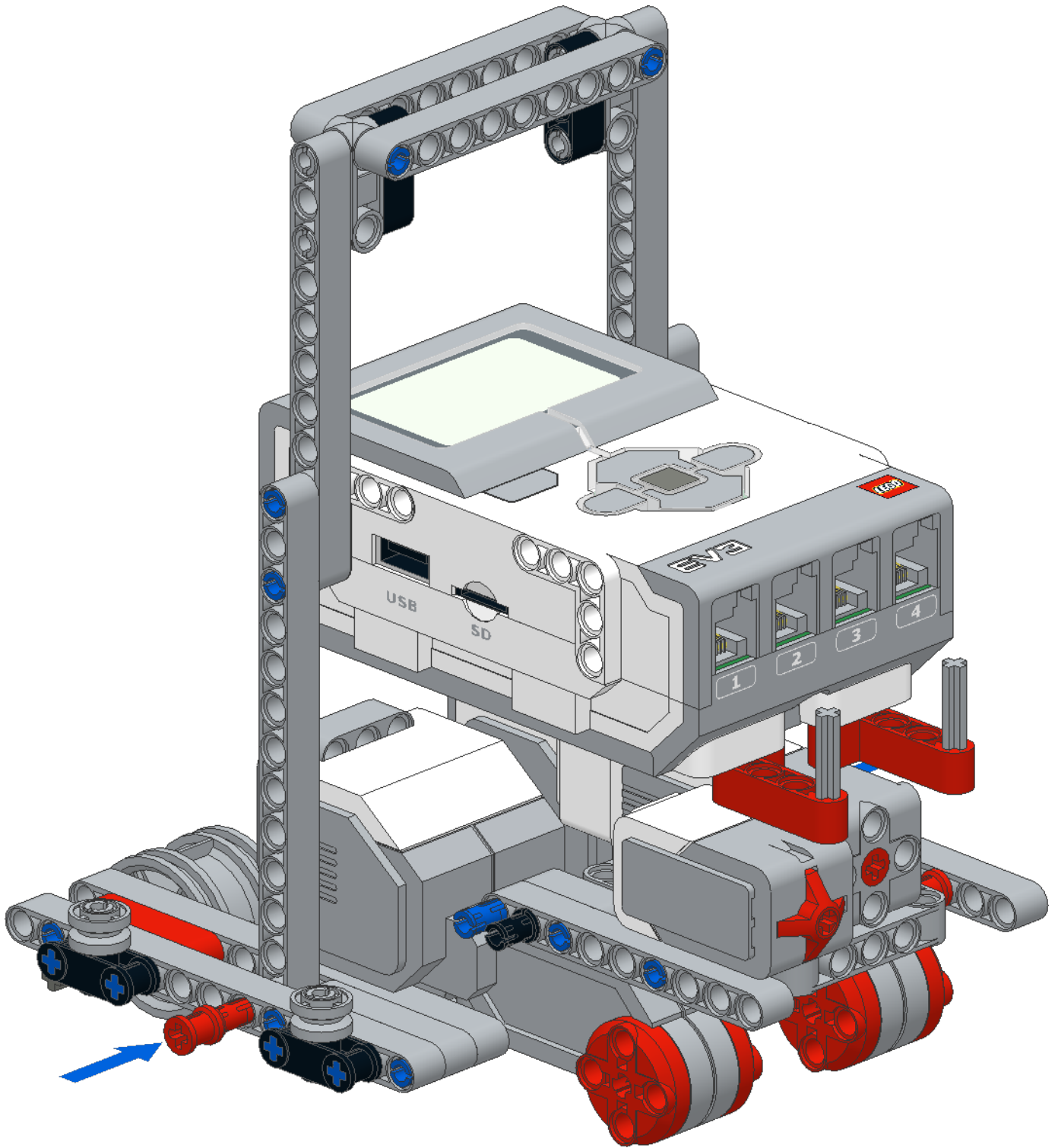
8

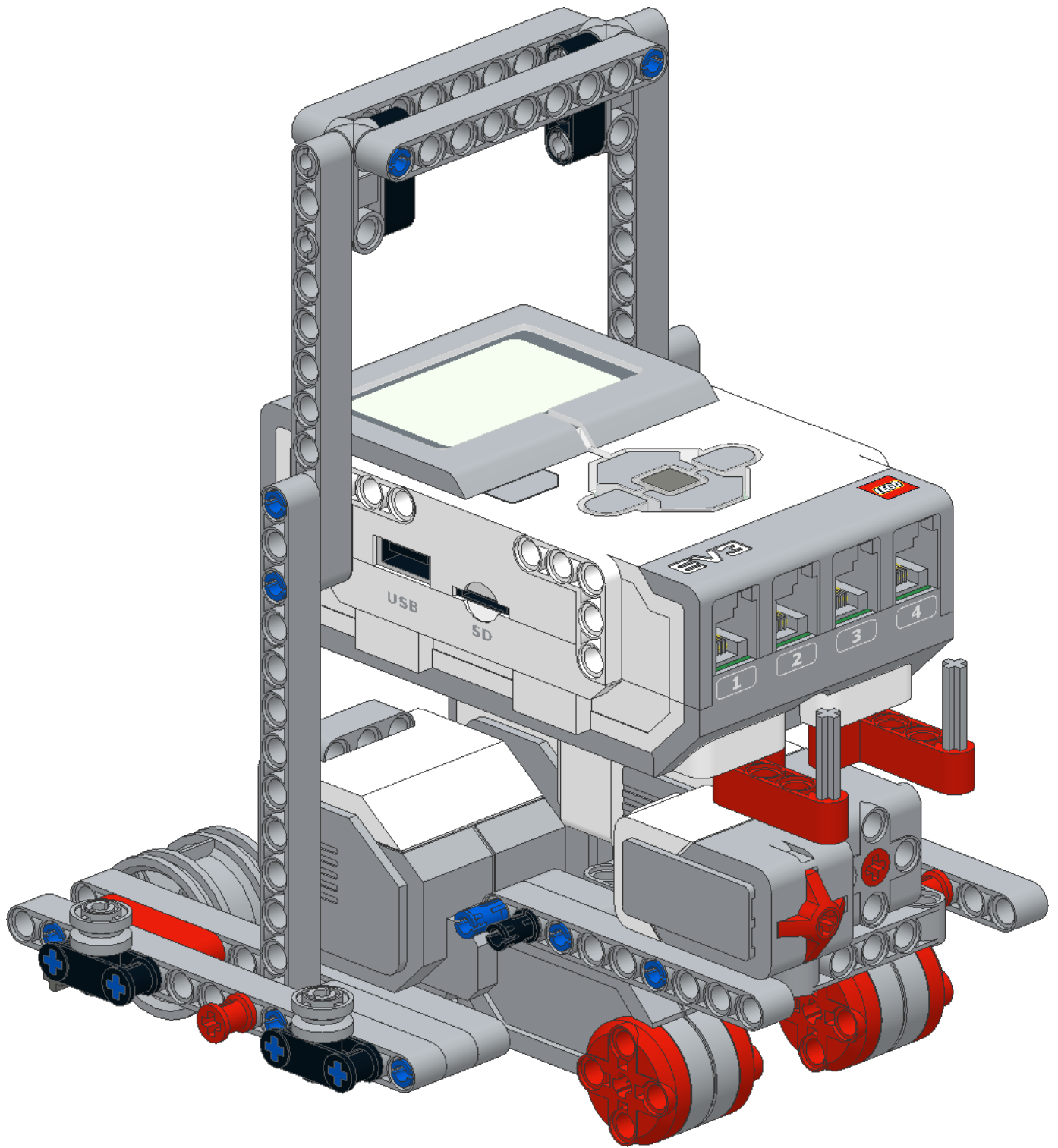


9

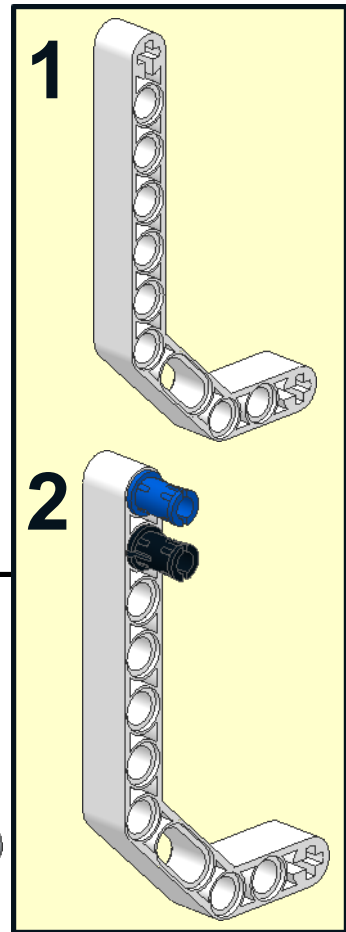
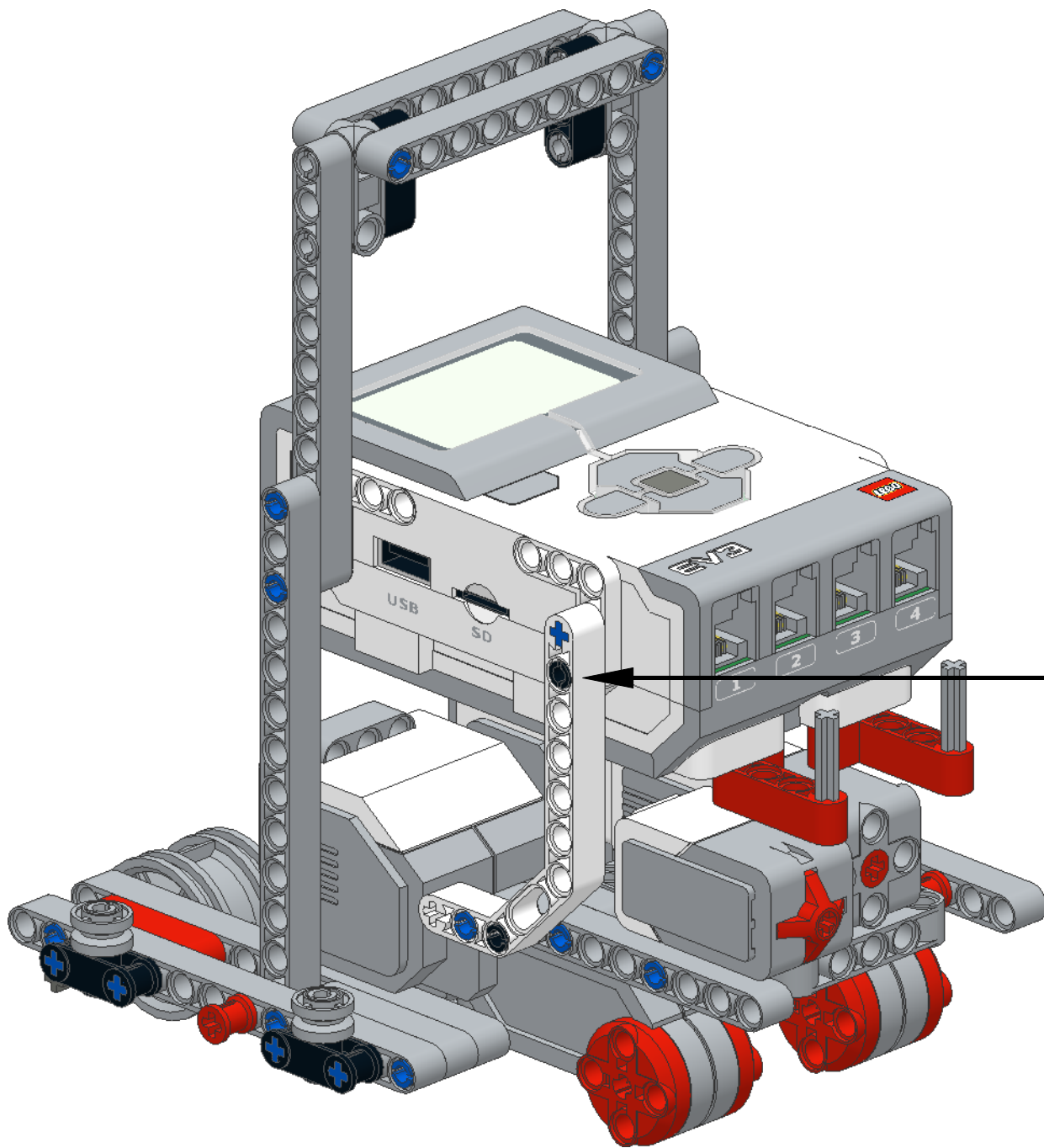
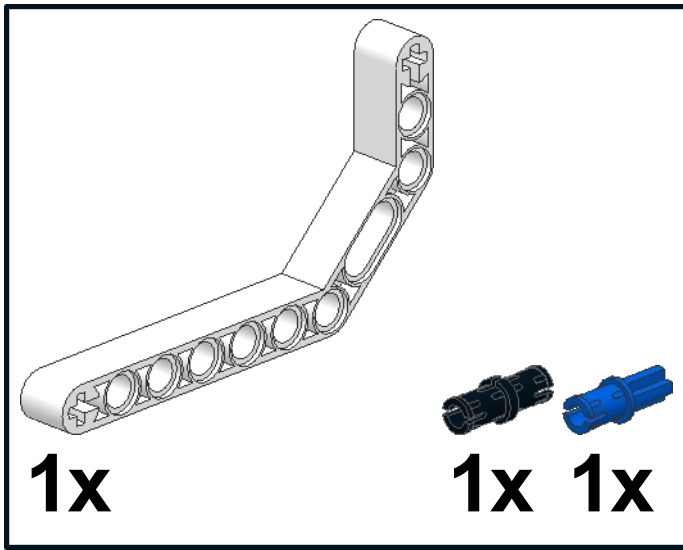




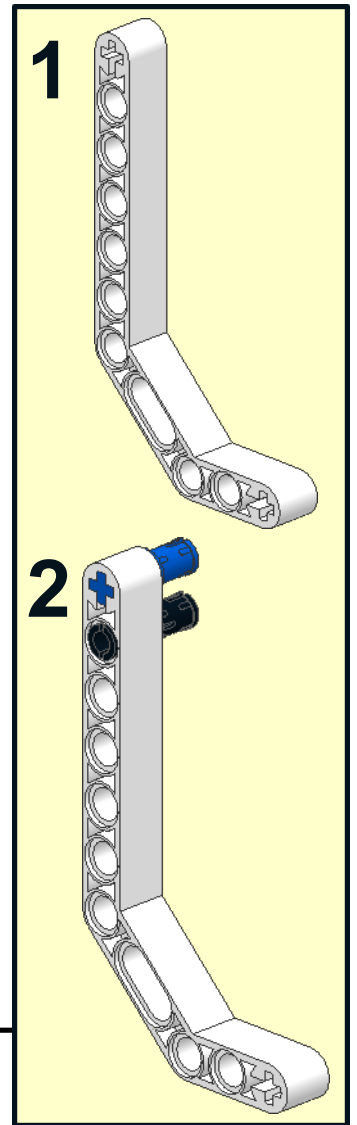
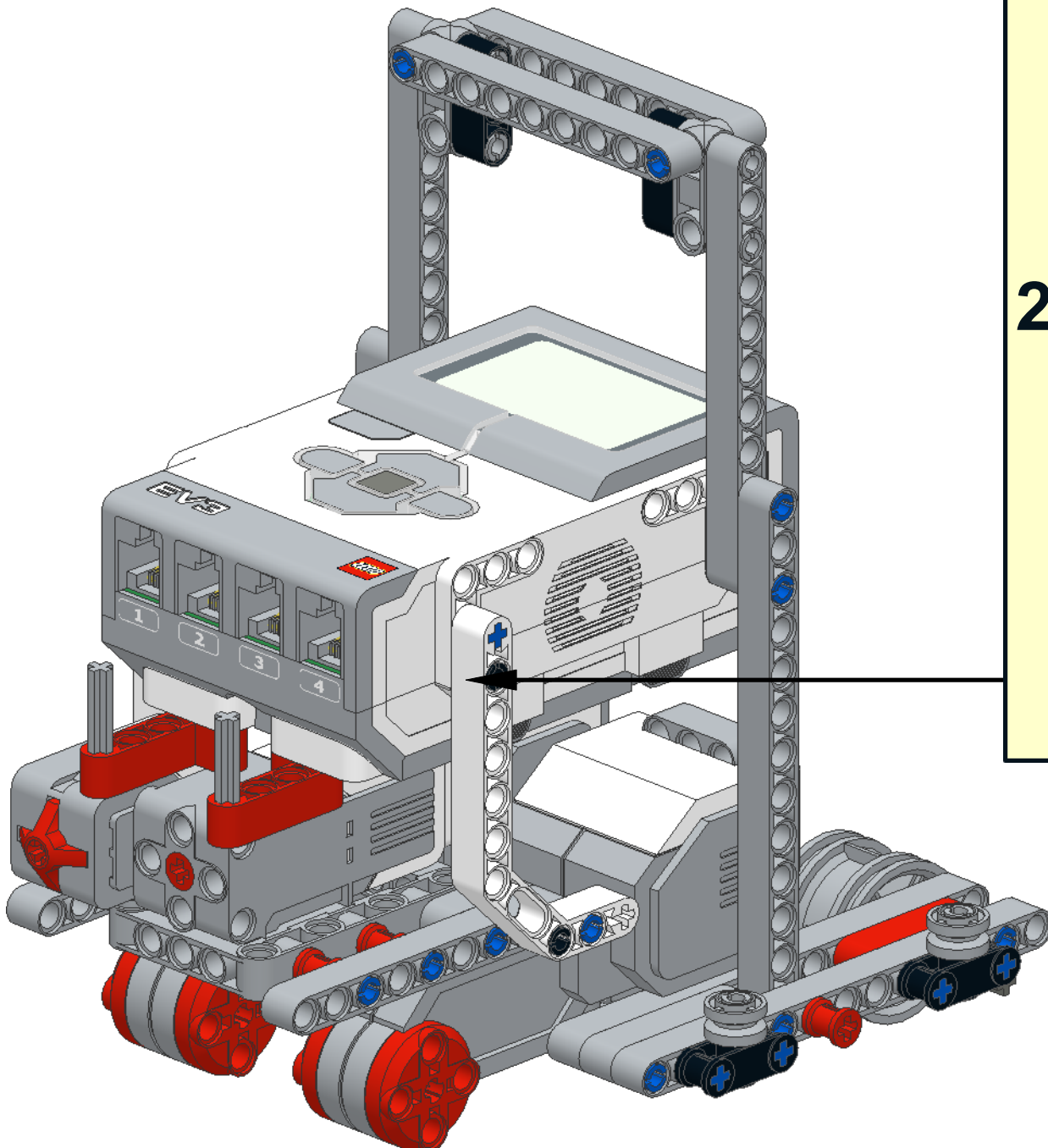
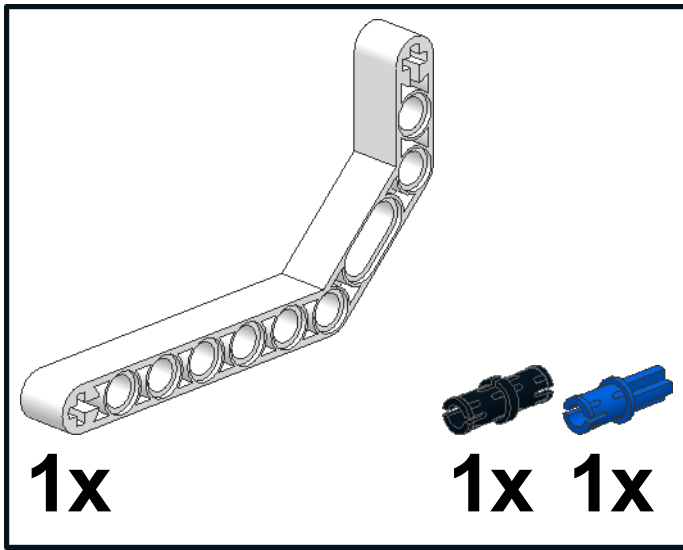




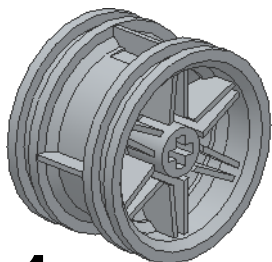
40



41



1



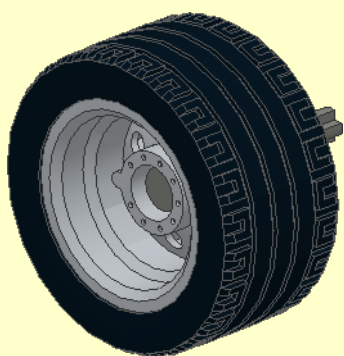
1x




1x



2



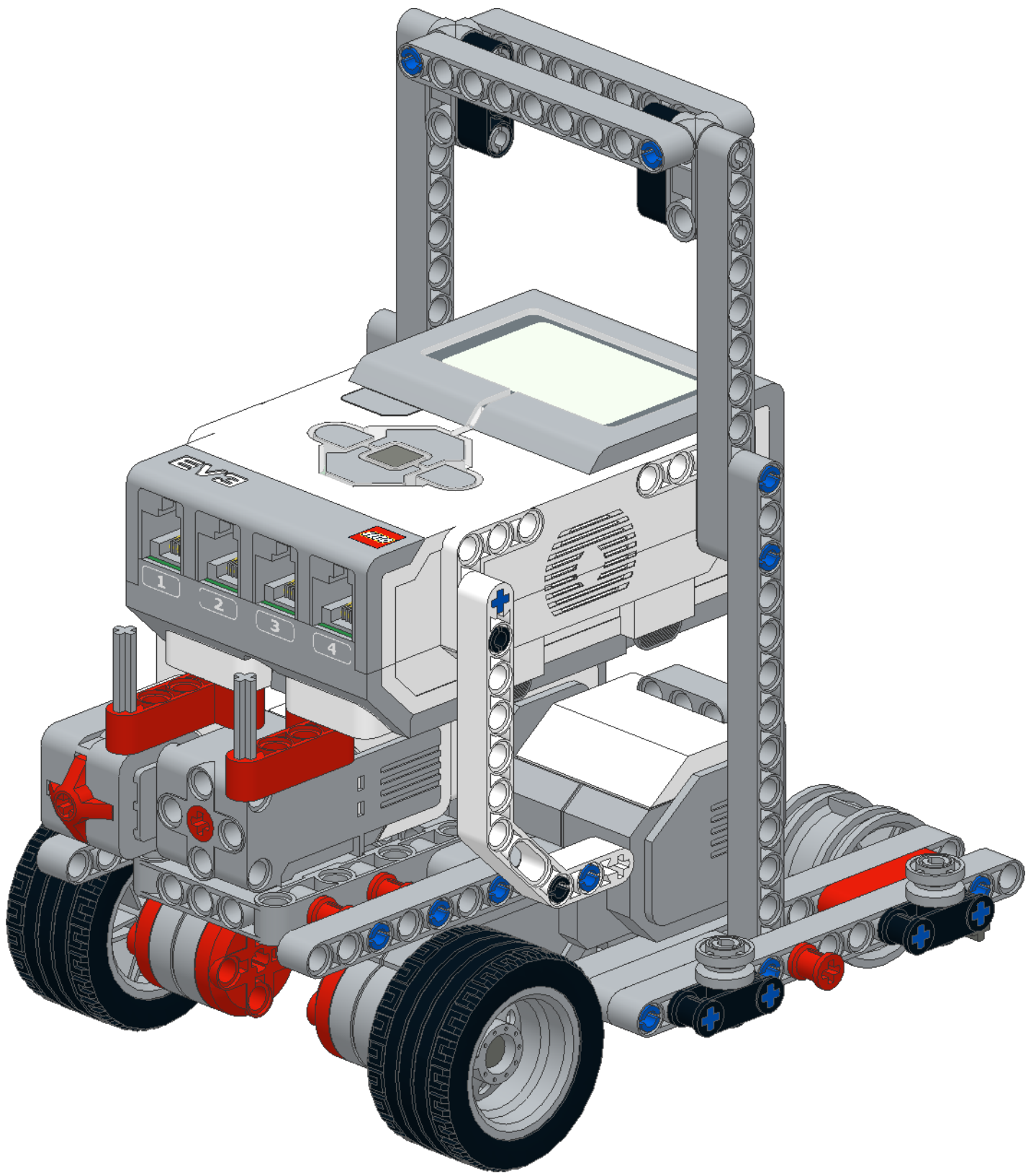
3



1x



x2



Droid Bot JR created by EV3 Lessons

Building Instructions created by Anderson Harayashiki Moreira (Brazil)