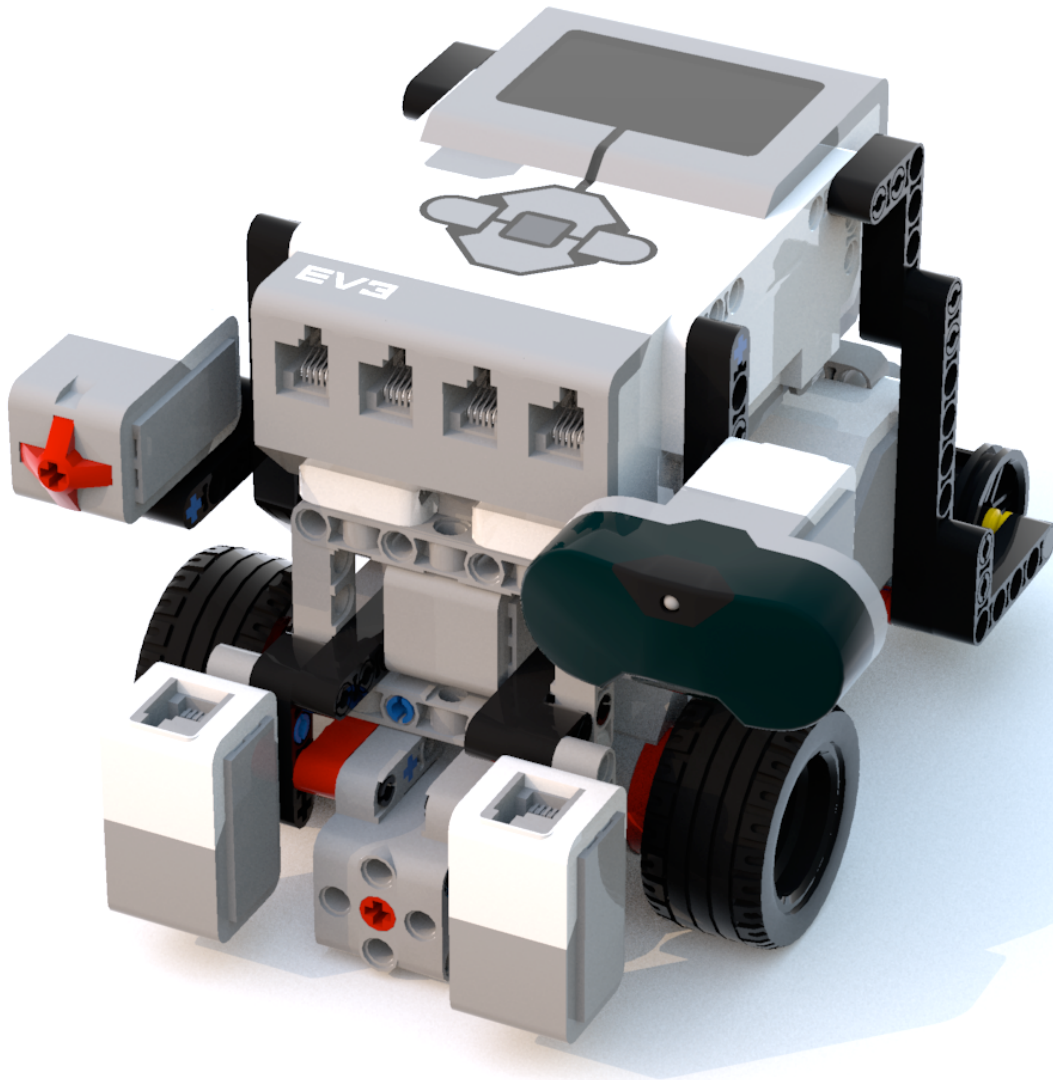


ENTERPRISE

By Sanjay and Arvind Seshan
LEGO MINDSTORMS EV3 Set 31313

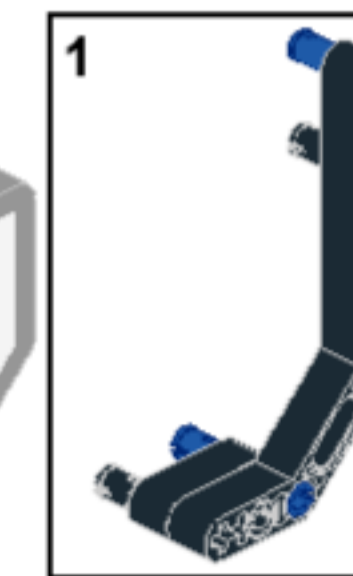
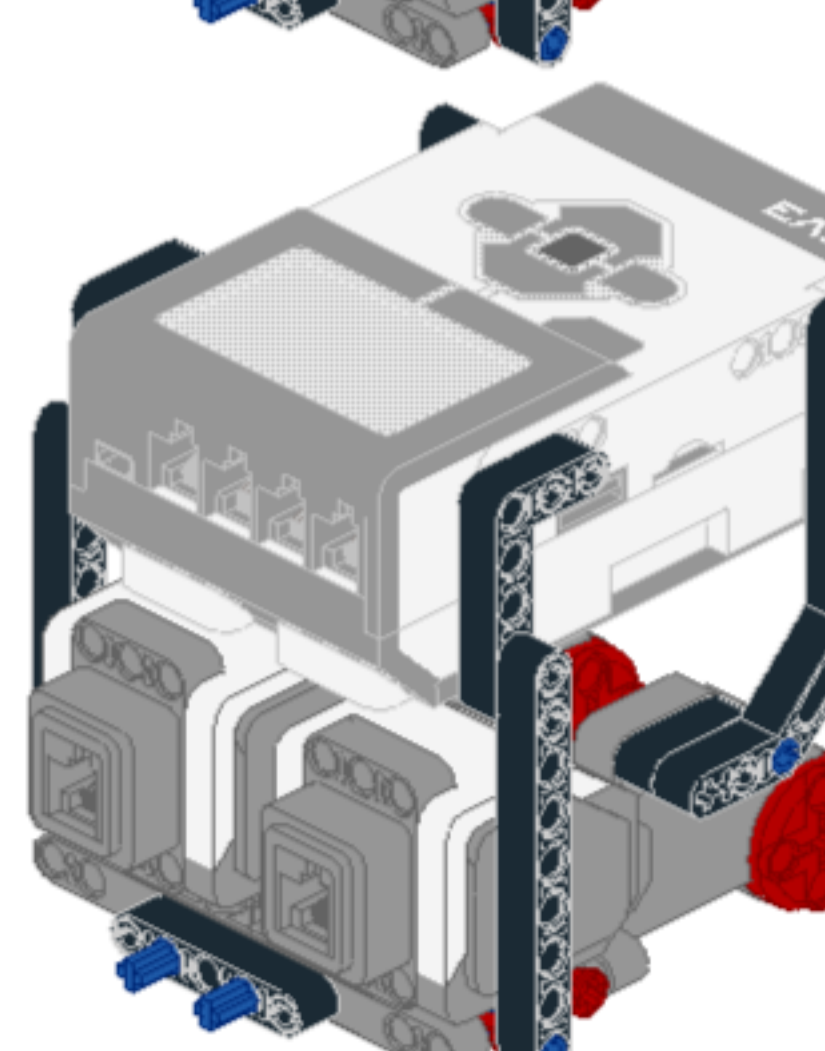
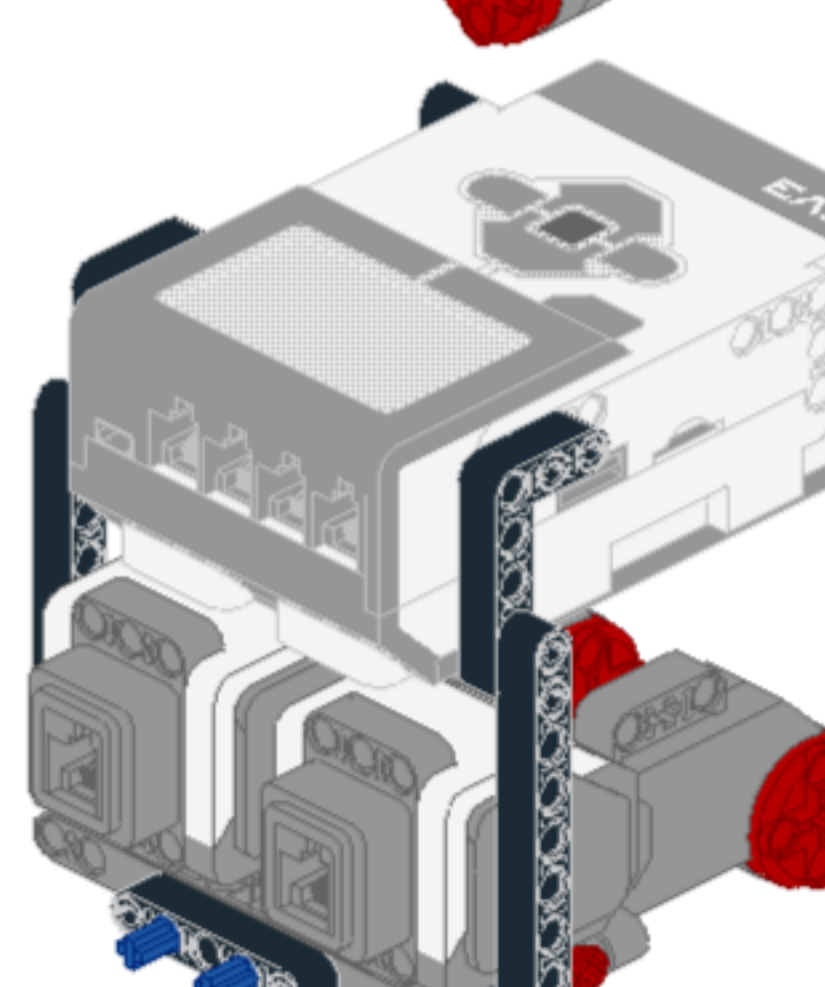
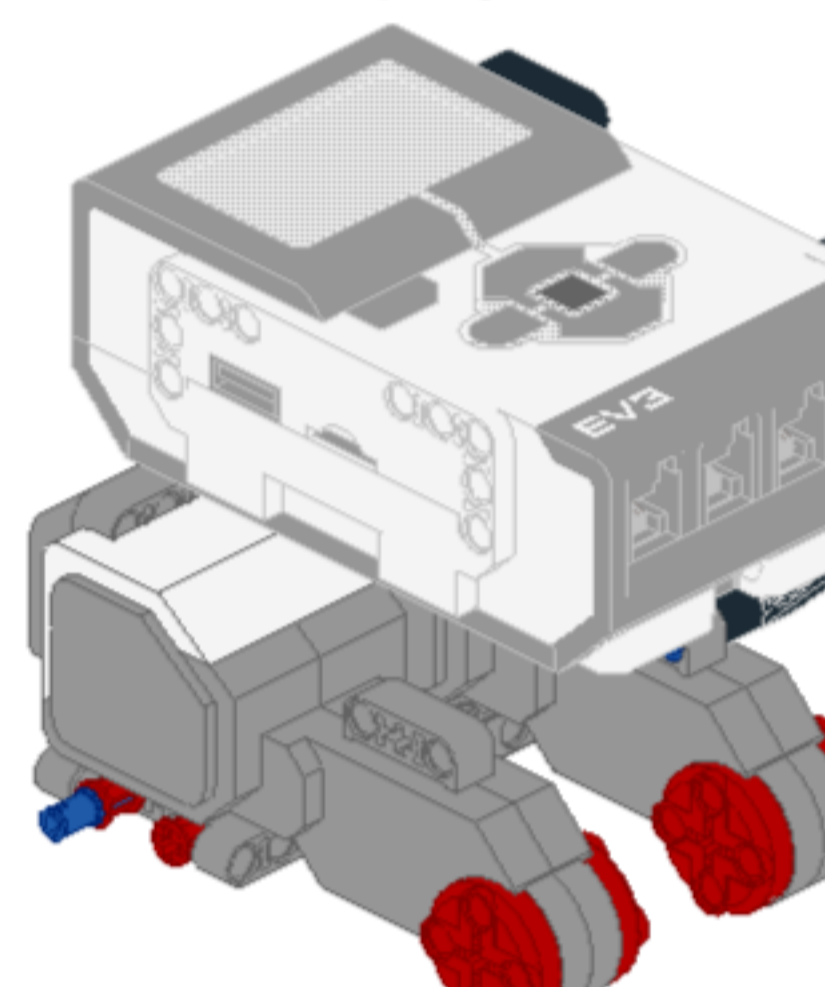
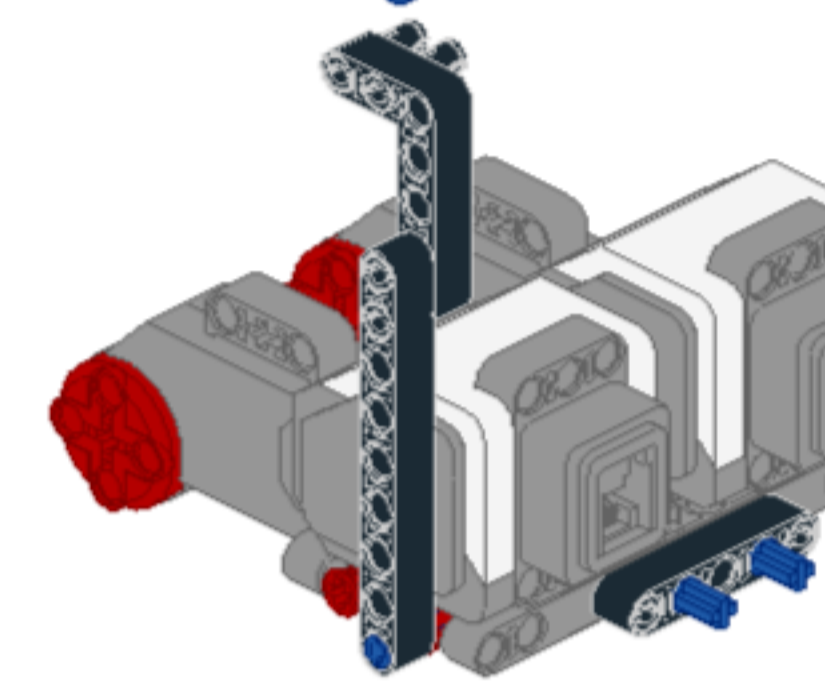
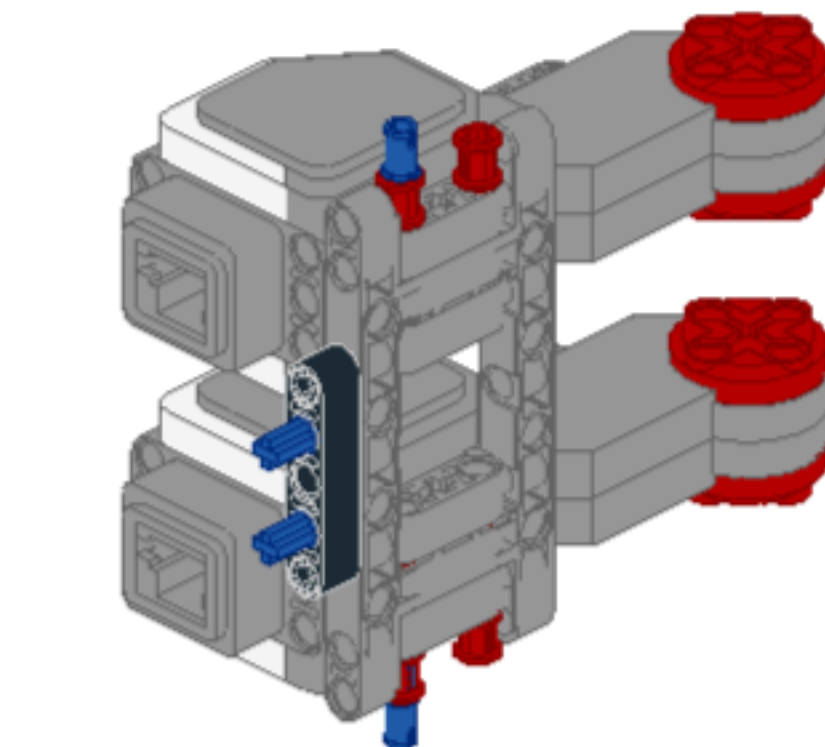
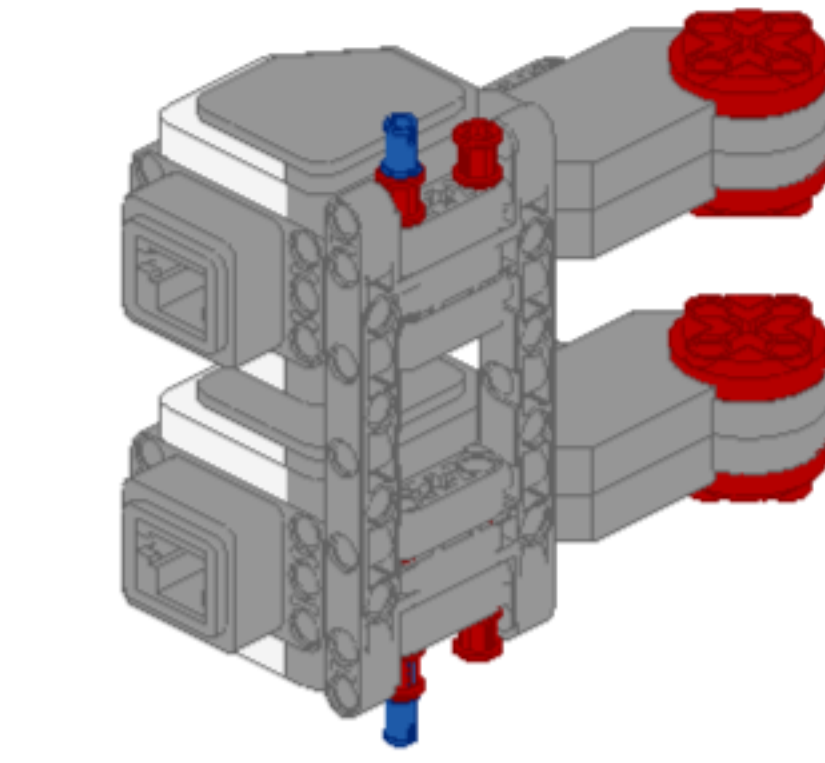
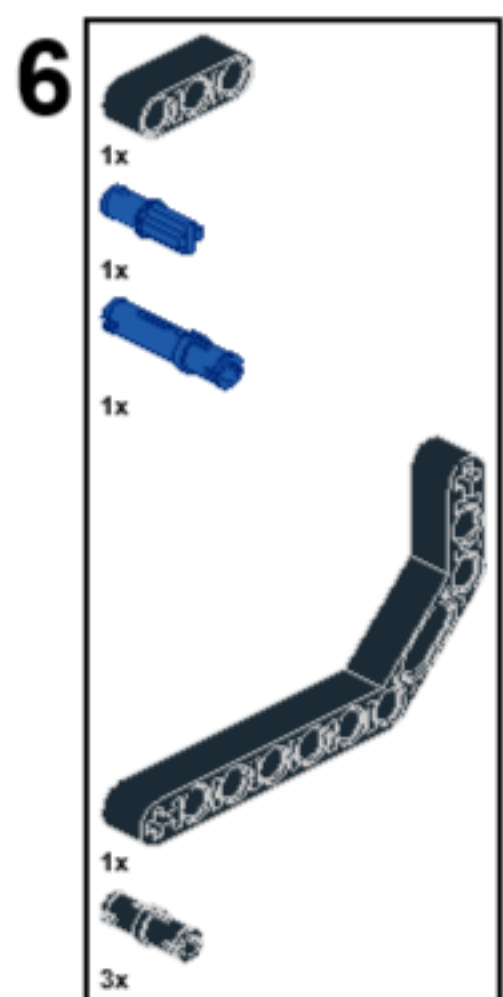
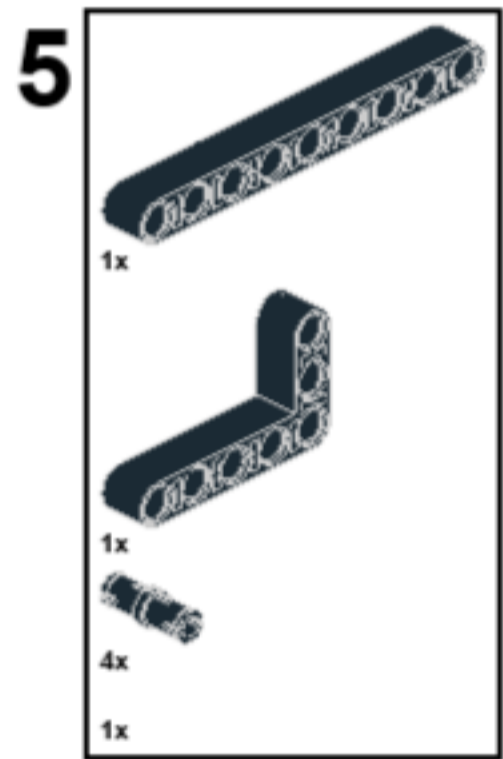
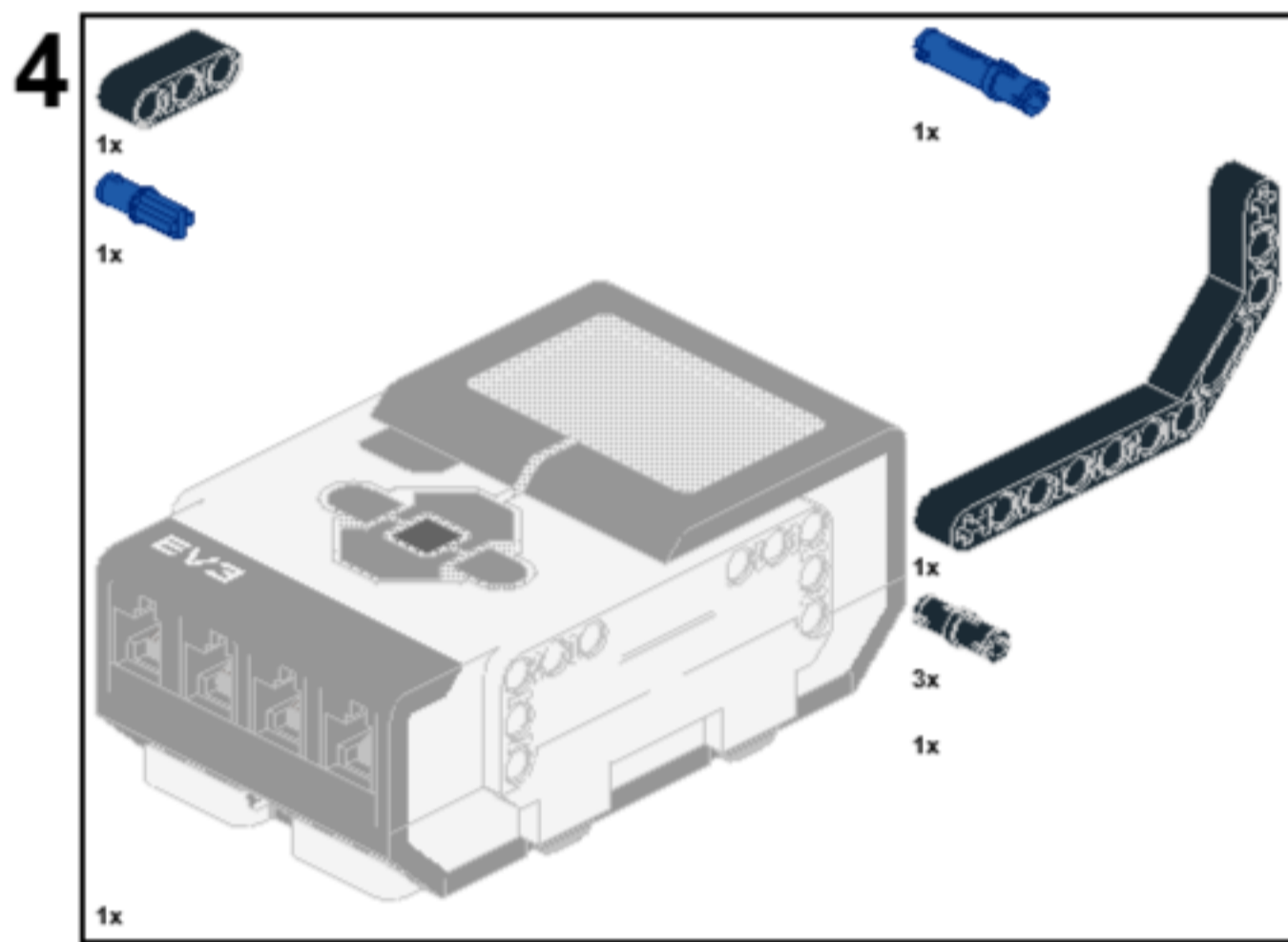
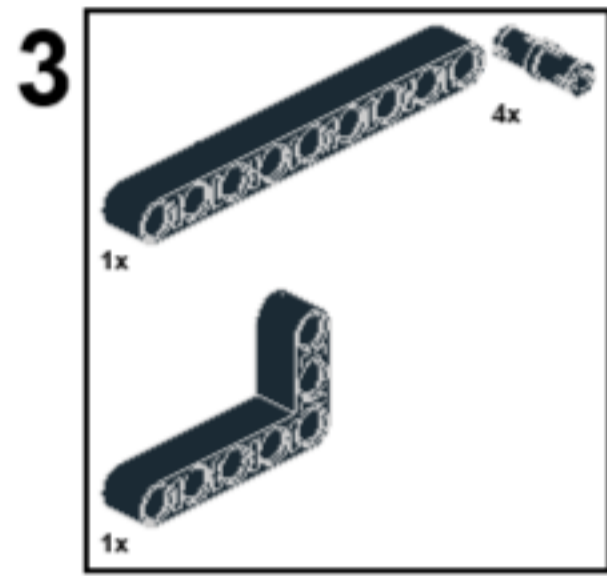
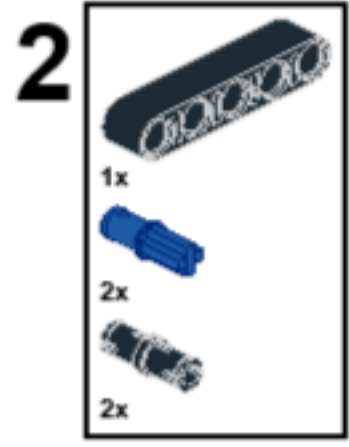
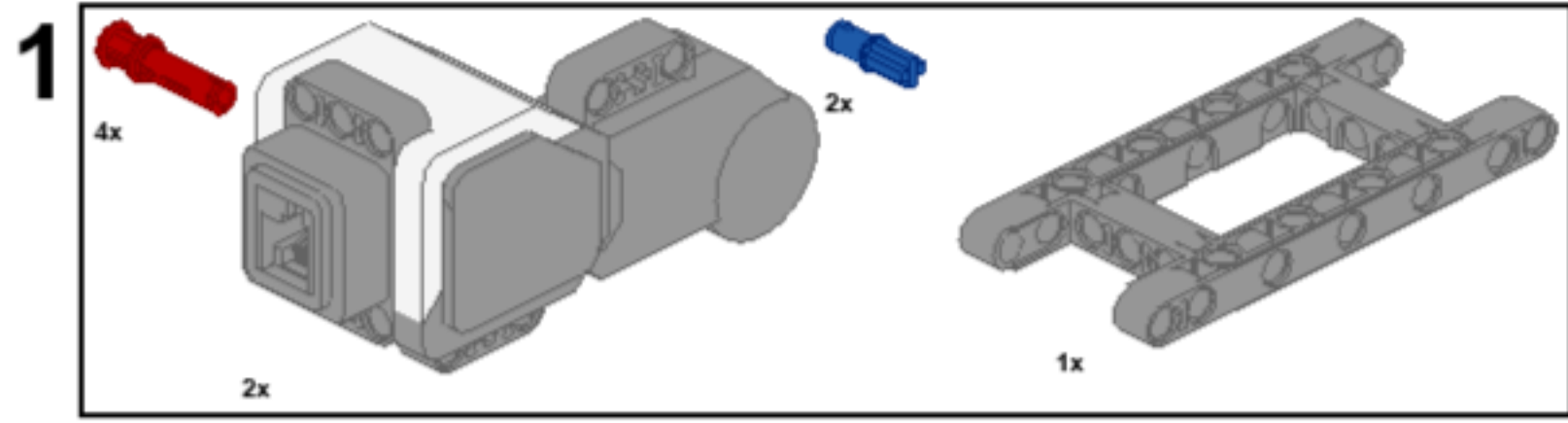


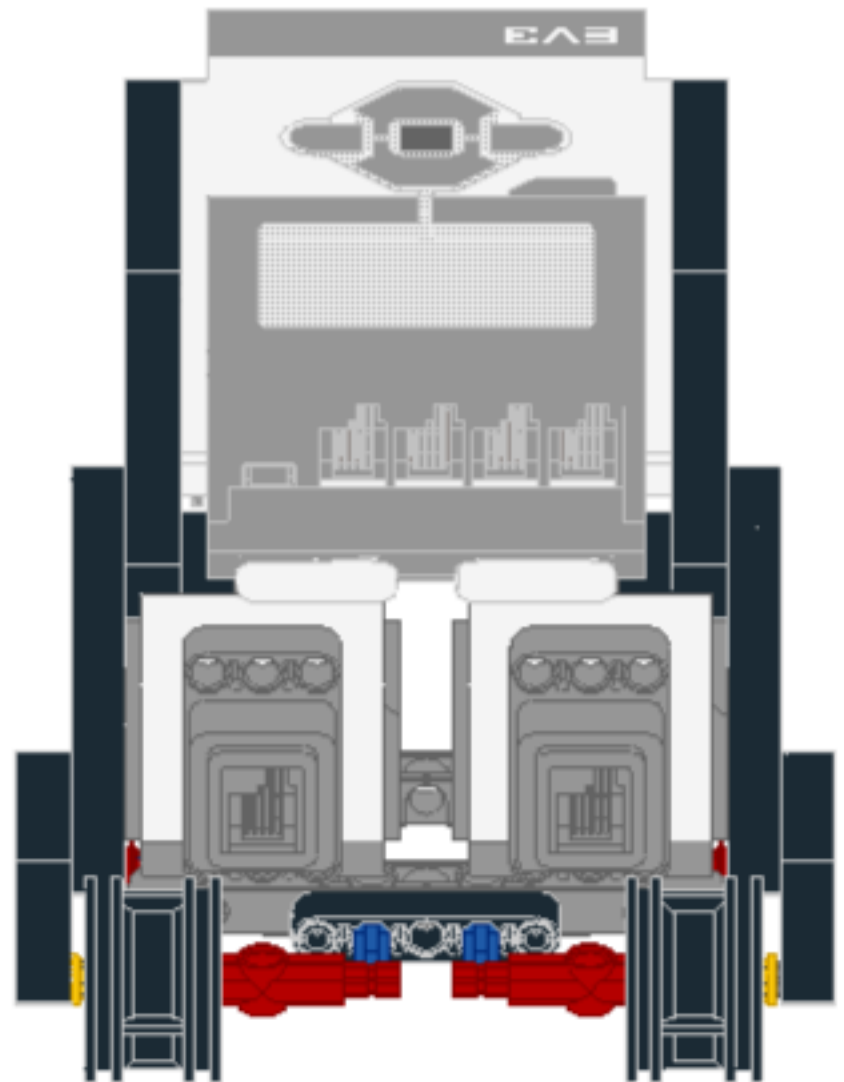
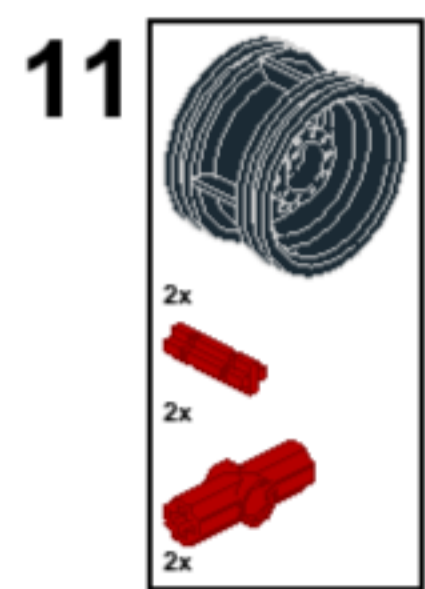
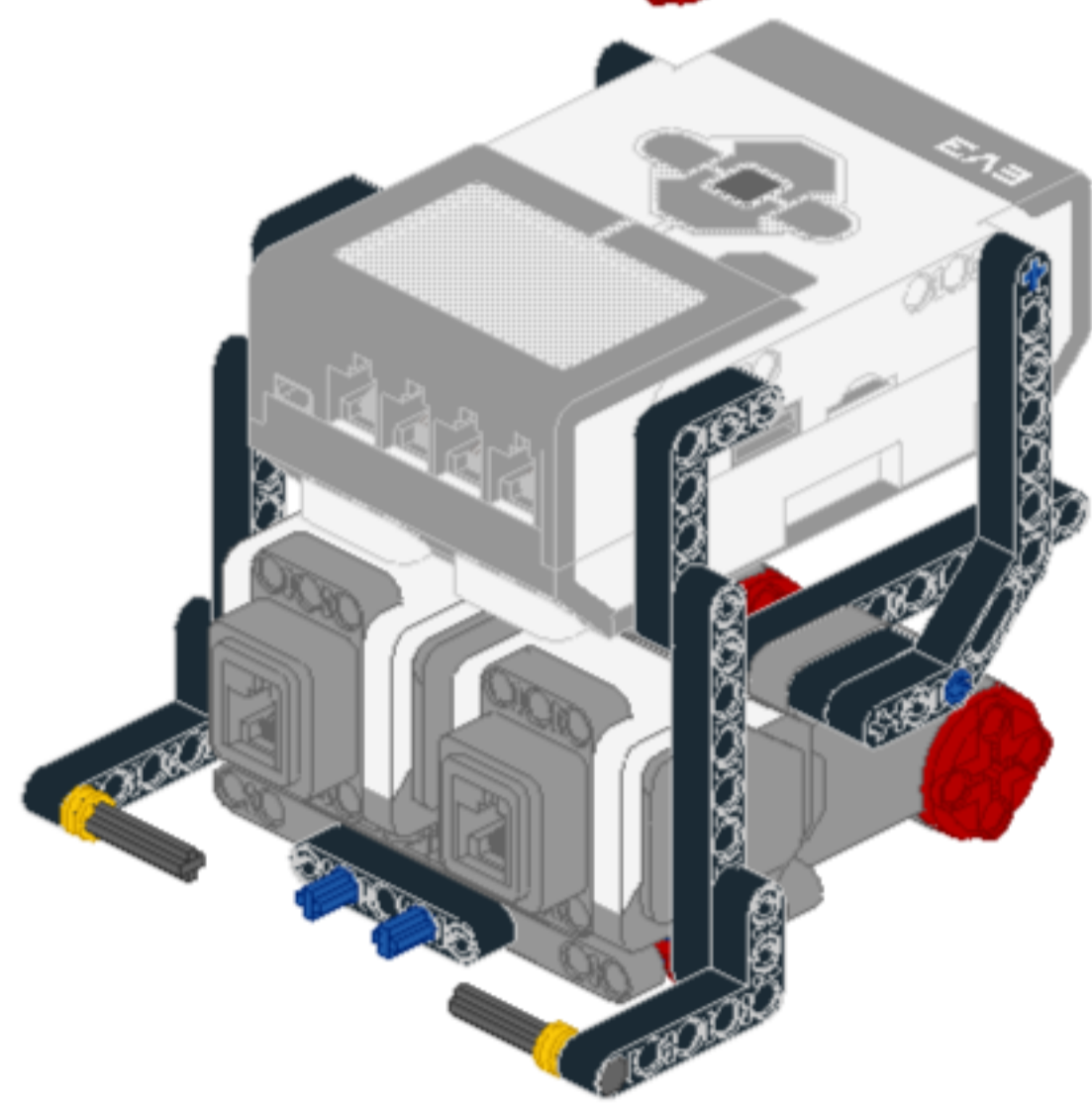
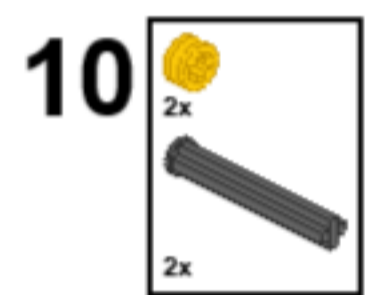
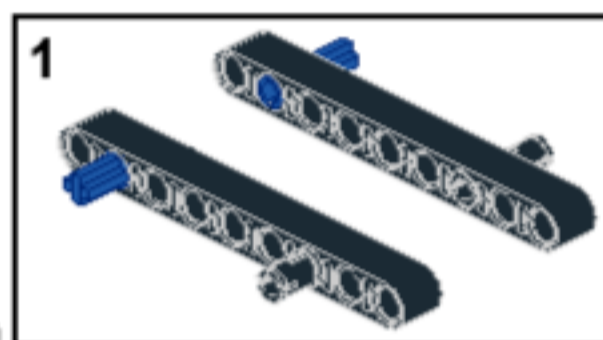
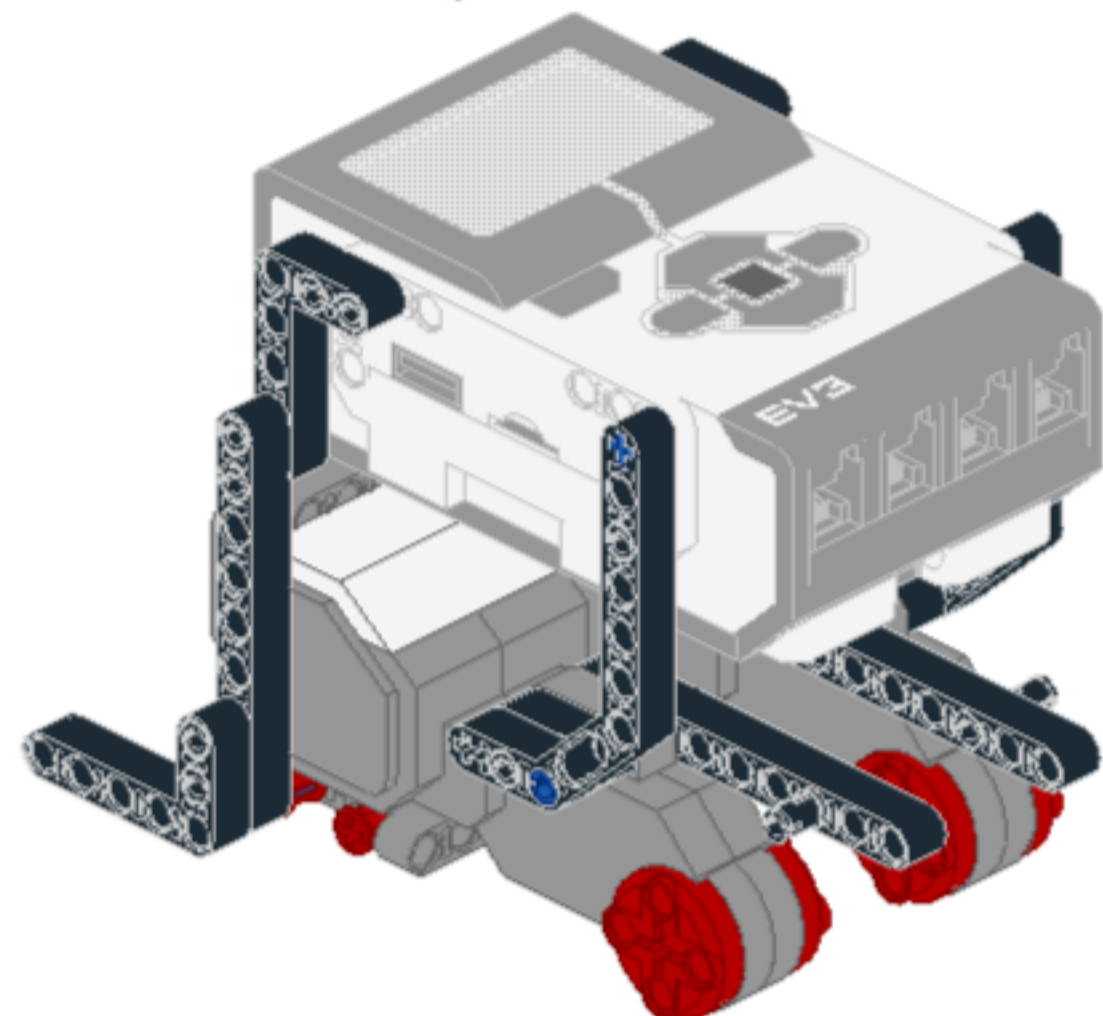
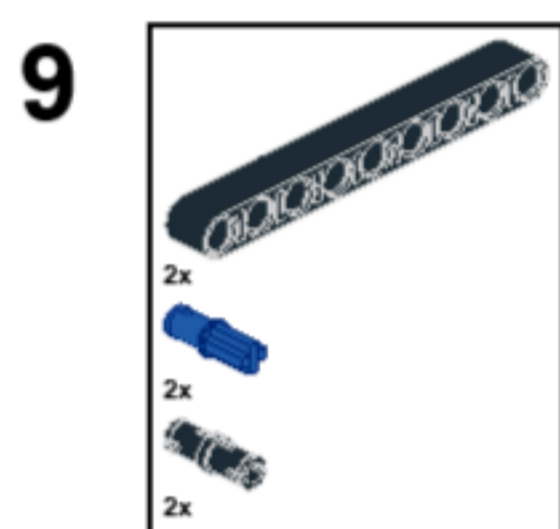
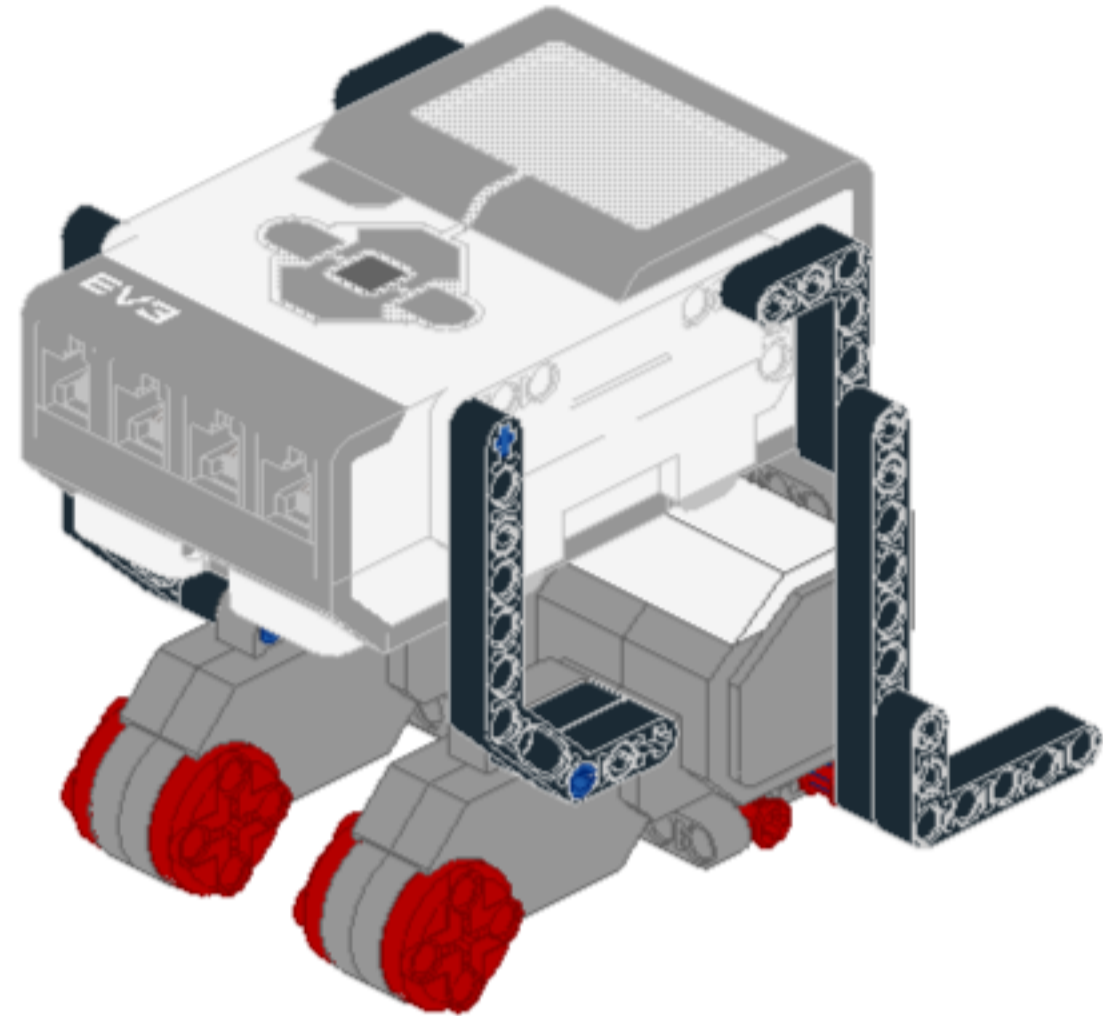
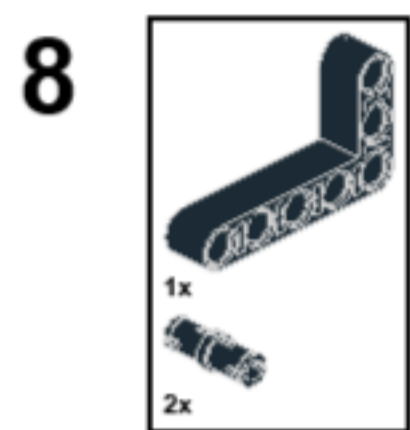
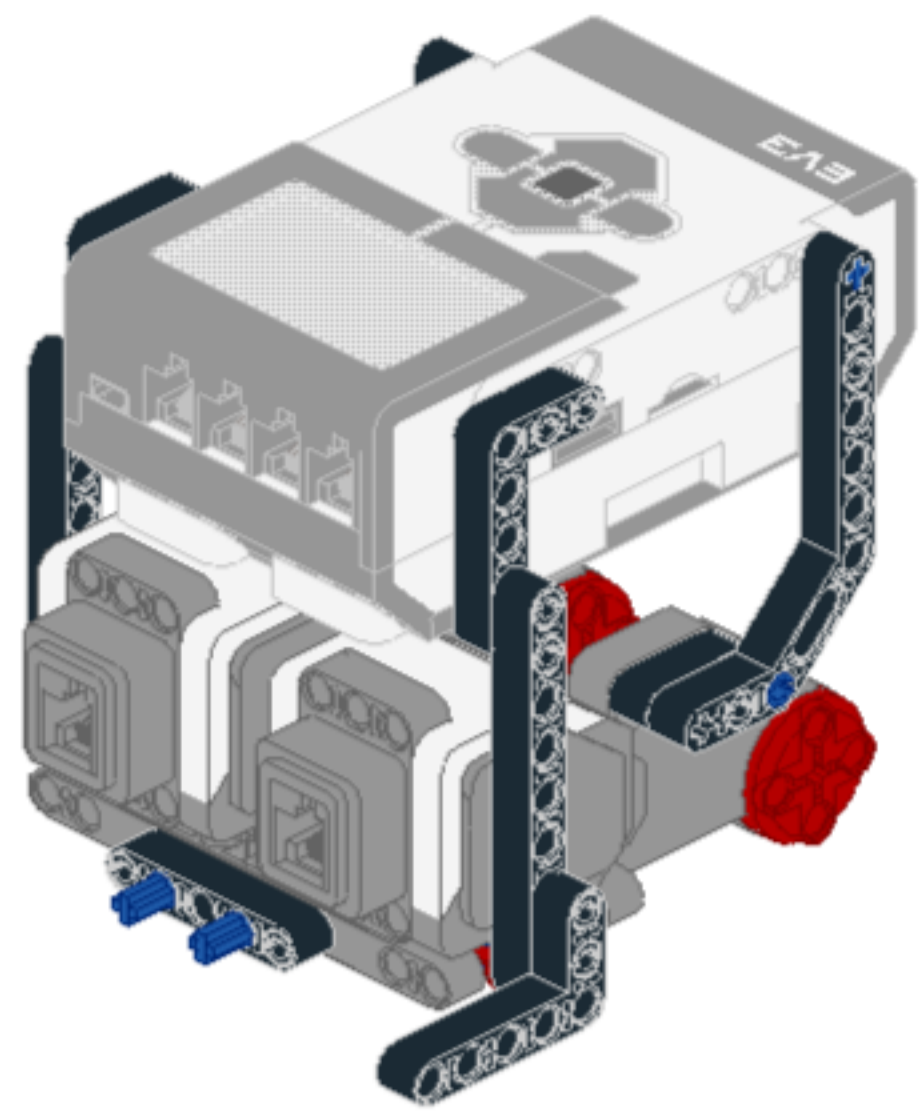
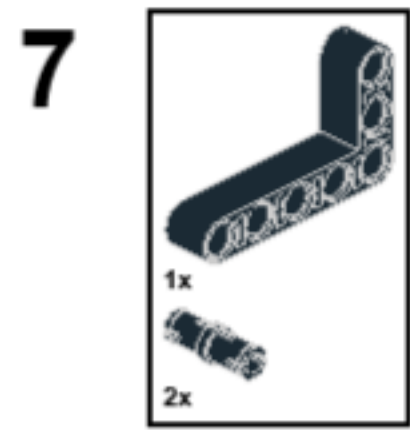
ENTERPRISE


Uses only LEGO MINDSTORMS EV3 Set 31313

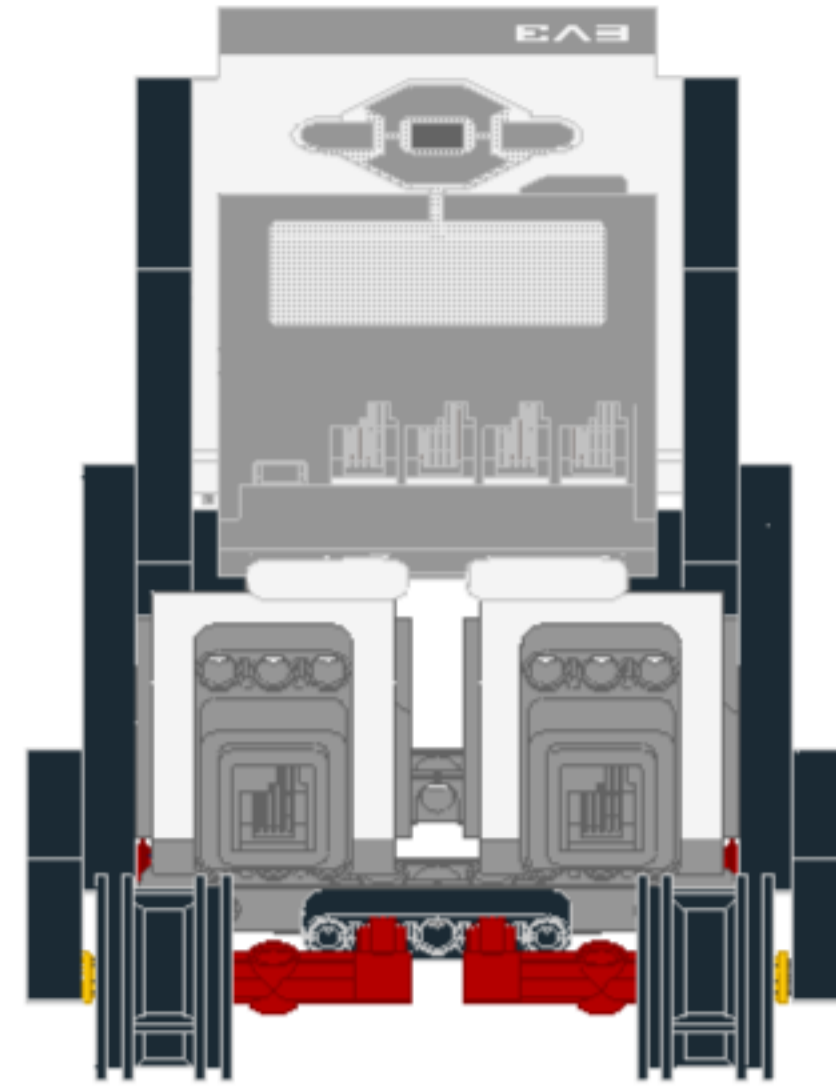
Optional instructions for a second color sensor and a gyro sensor are included


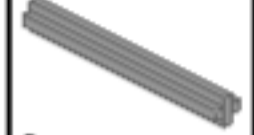
Brick Count: 82 (for base robot), 117 (including all extra sensors and motors)

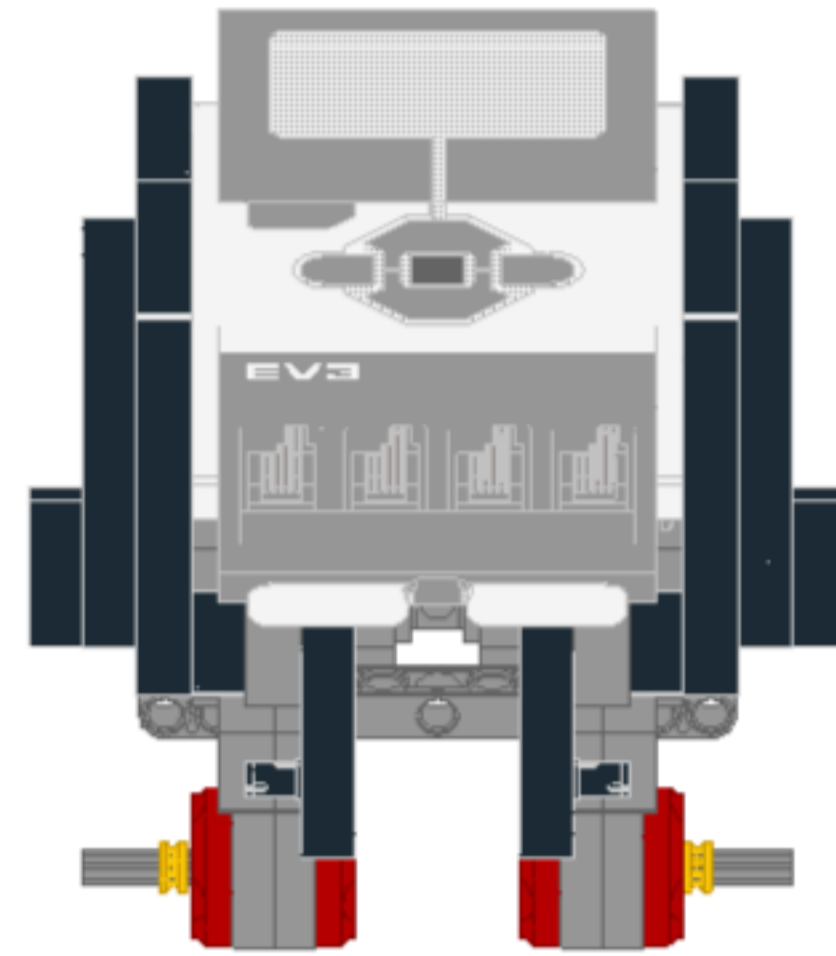







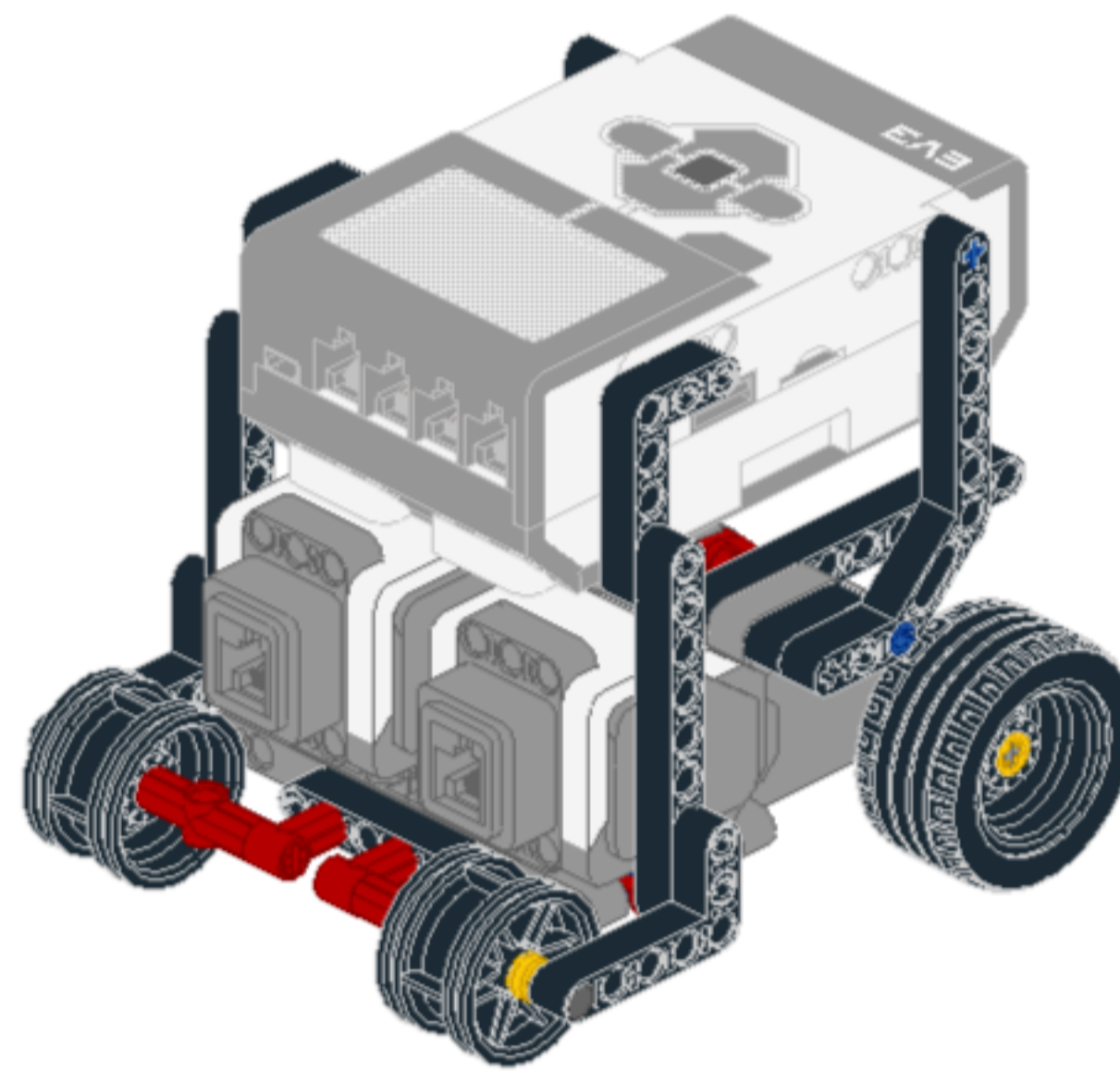
12  2x






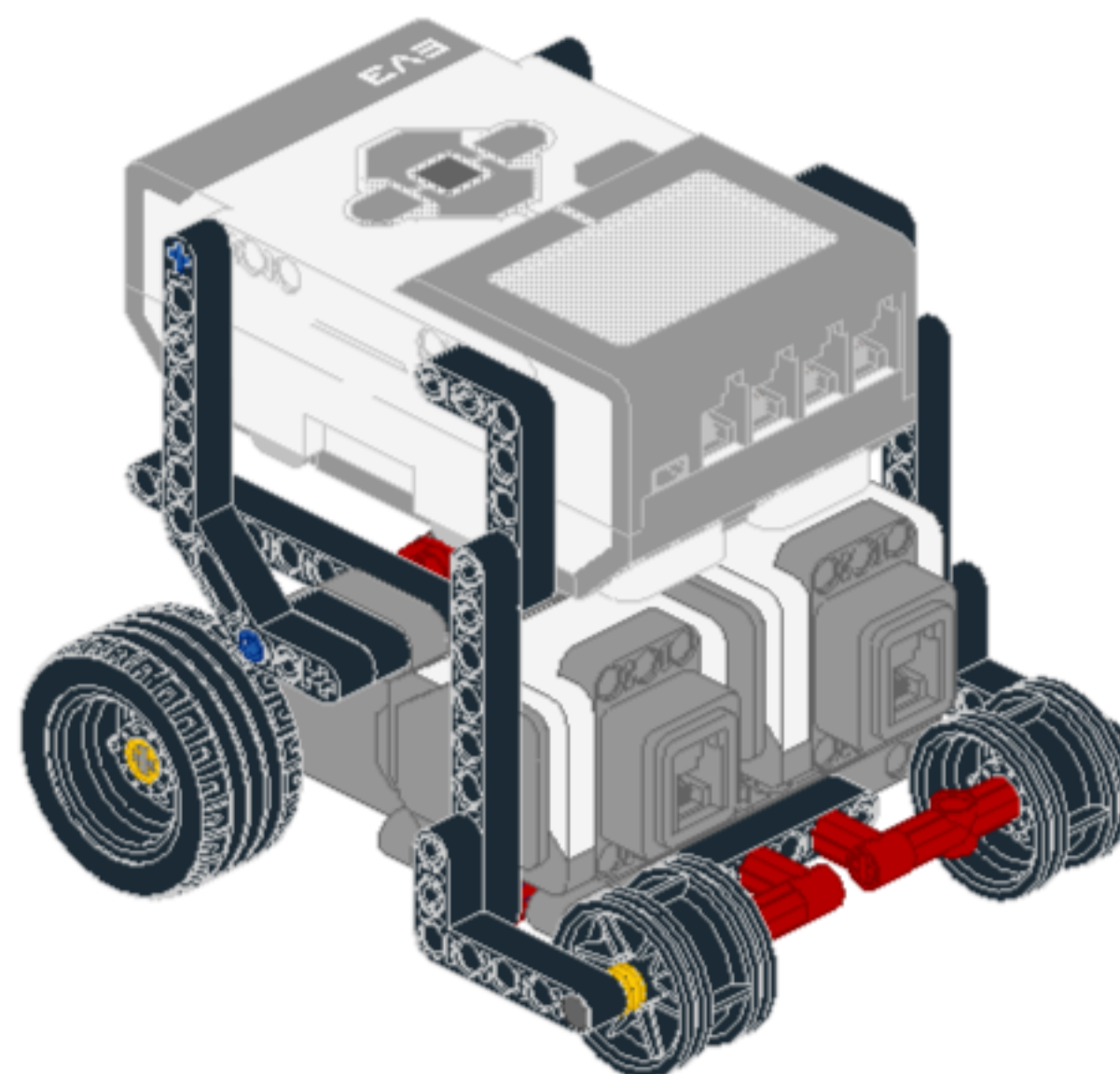
13  2x
 2x



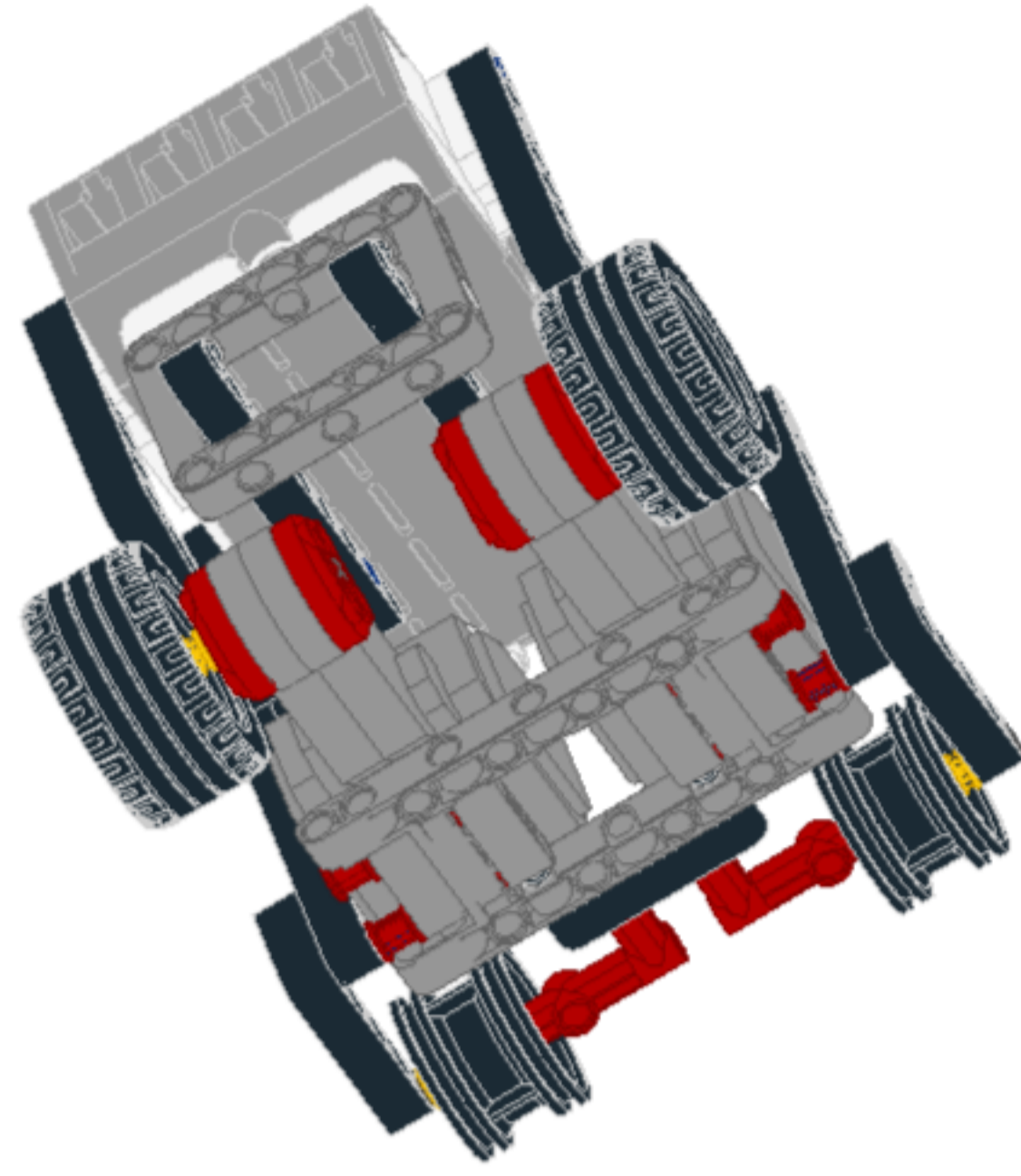
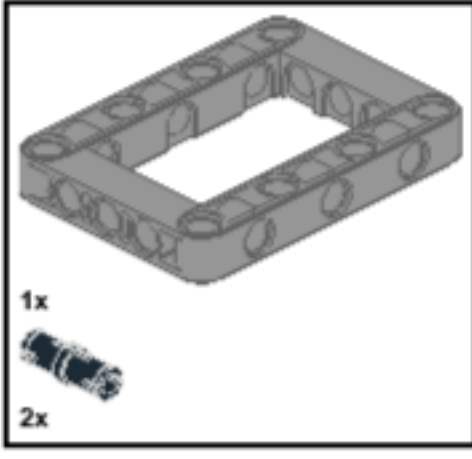
14  1x
 1x
 1x



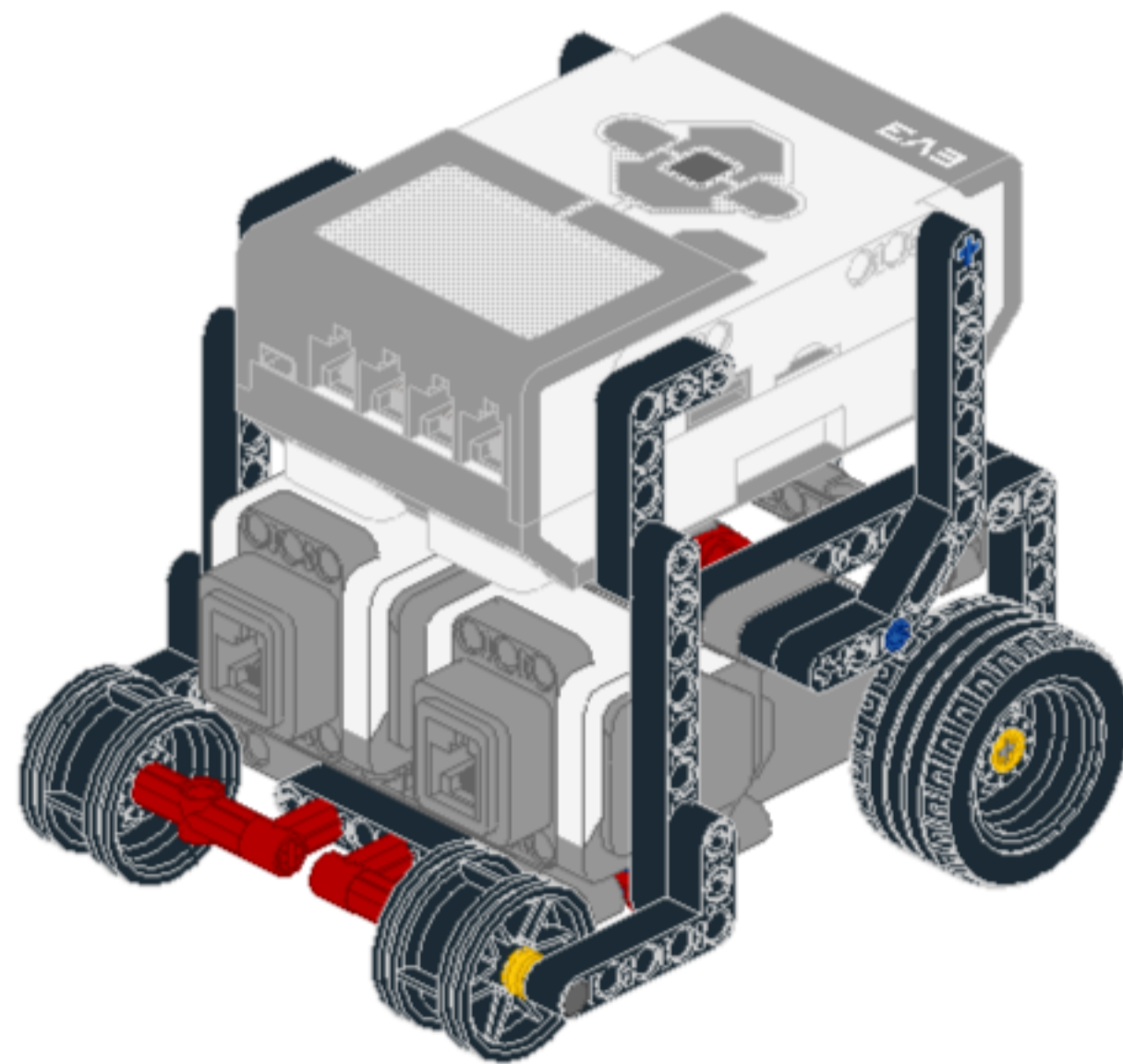
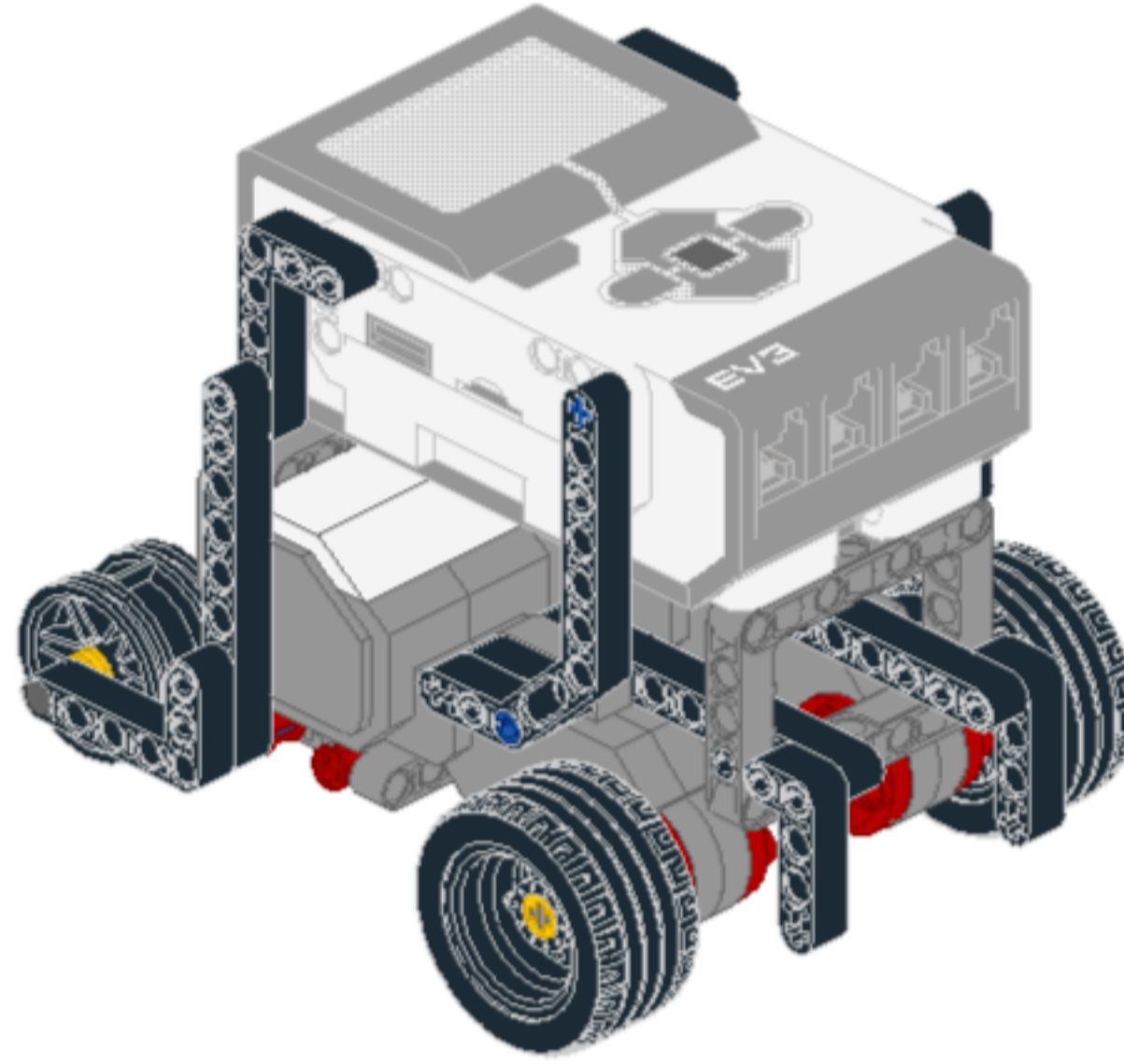
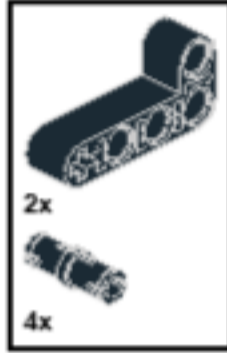
15  1x
 1x
 1x



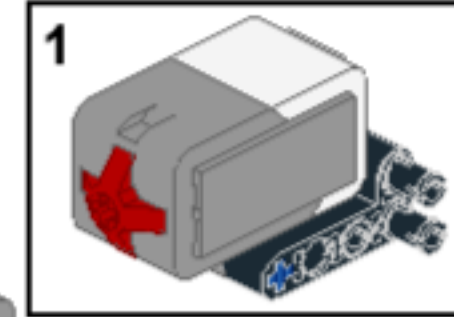
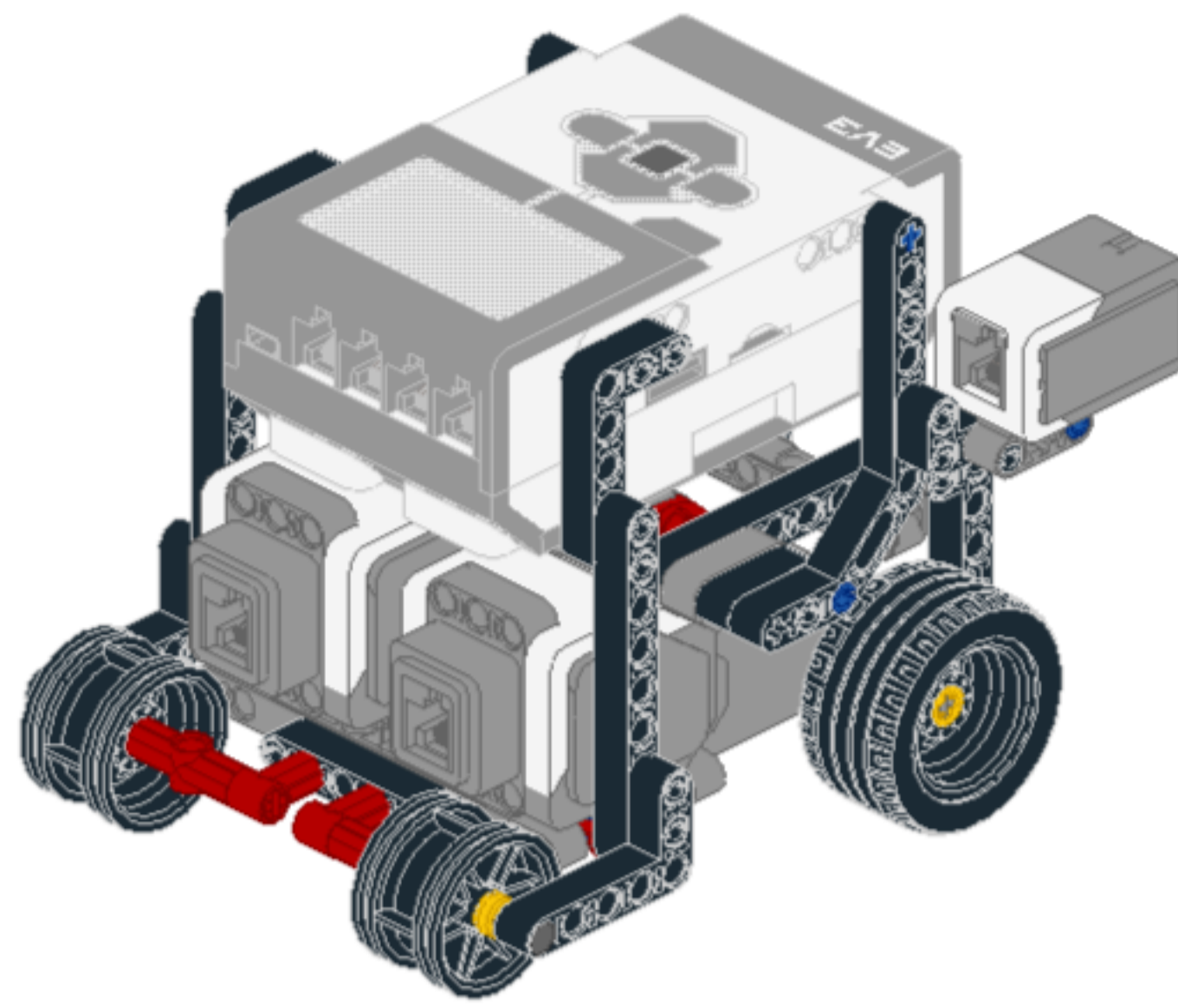
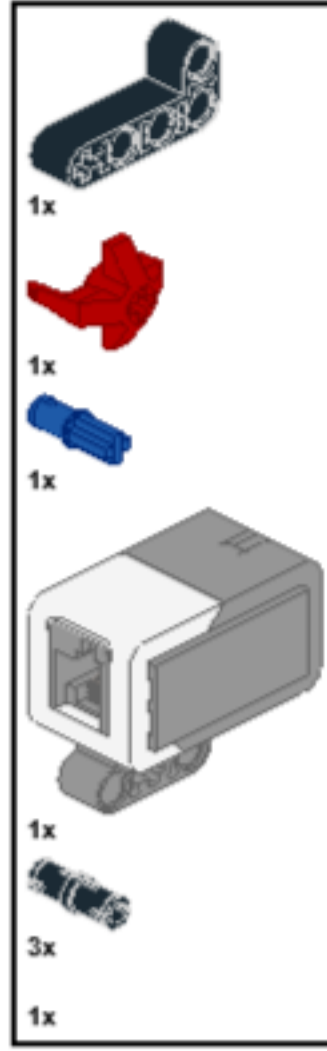
16



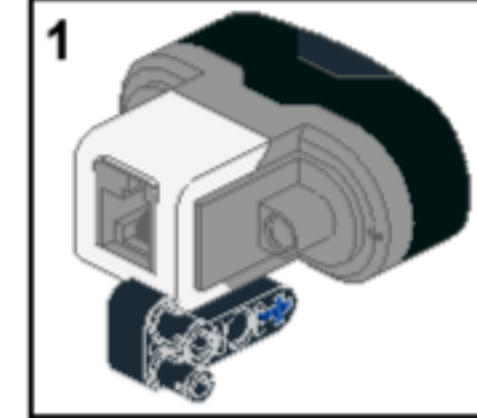
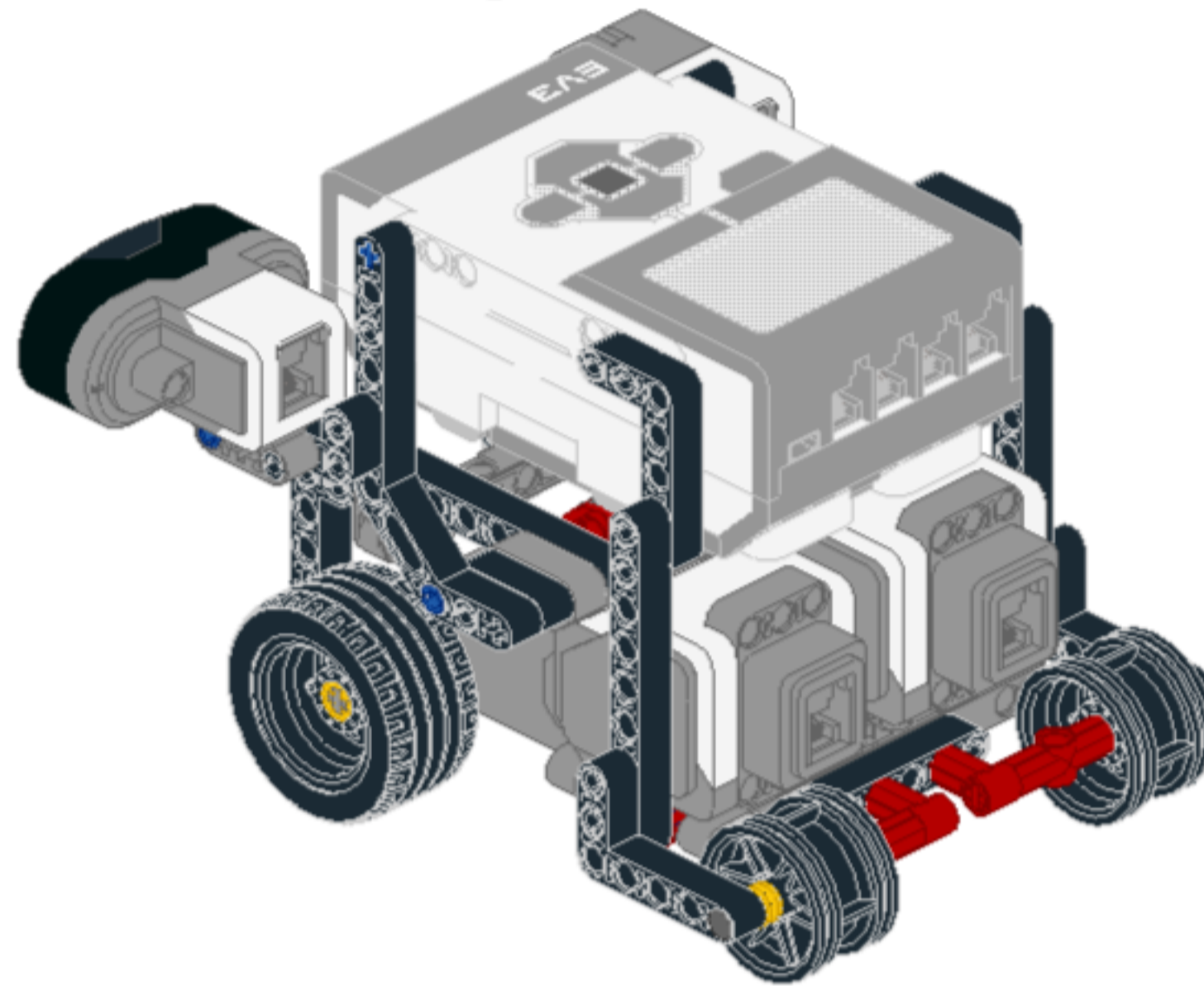
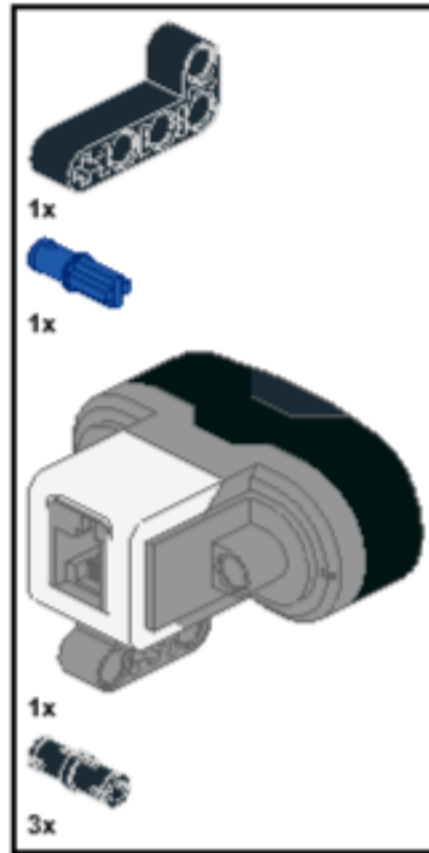
17



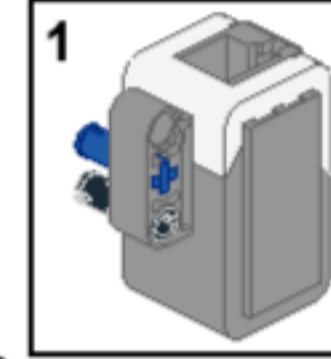
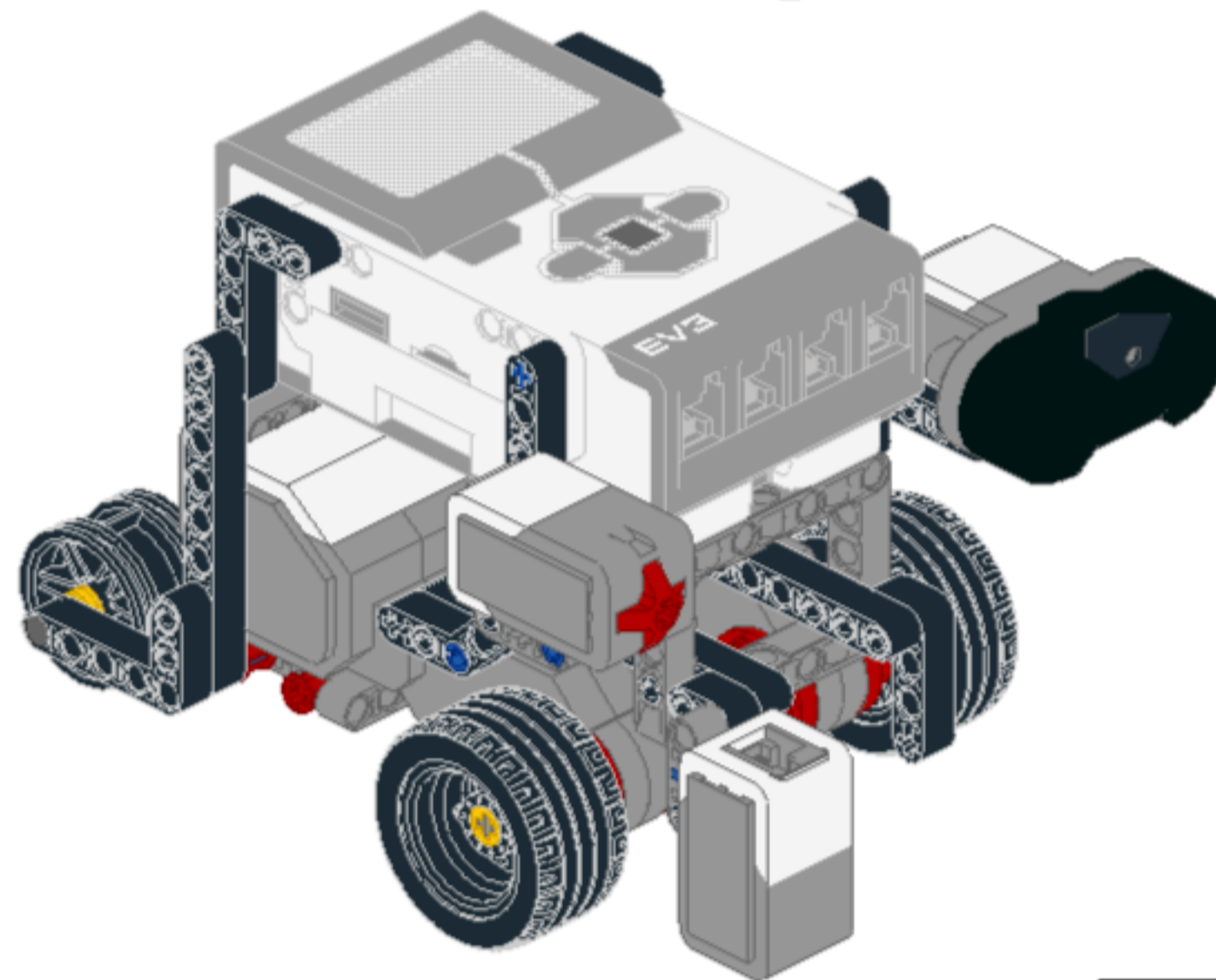
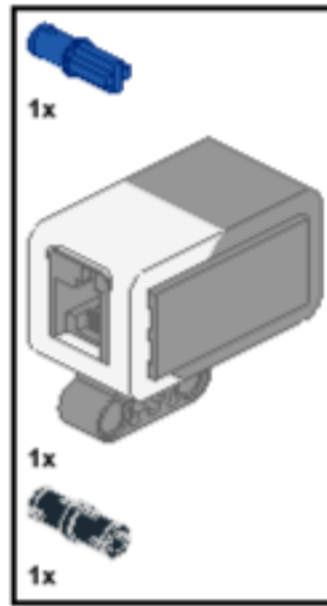
19



20



21



22

