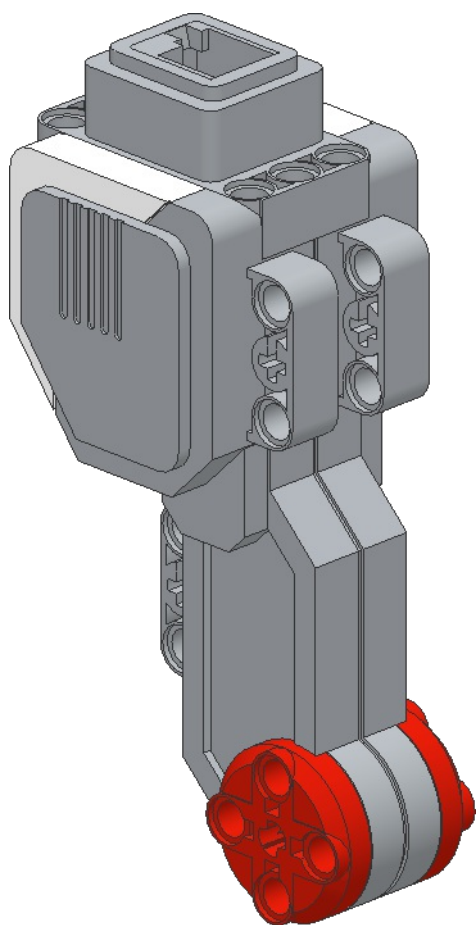
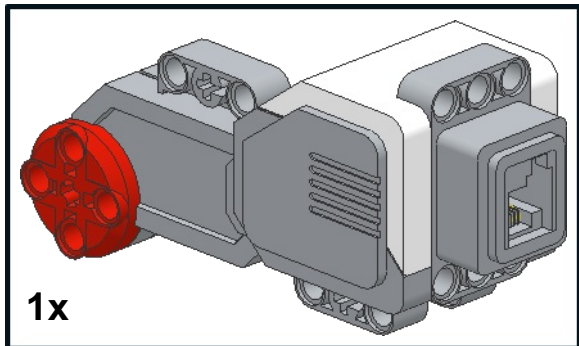


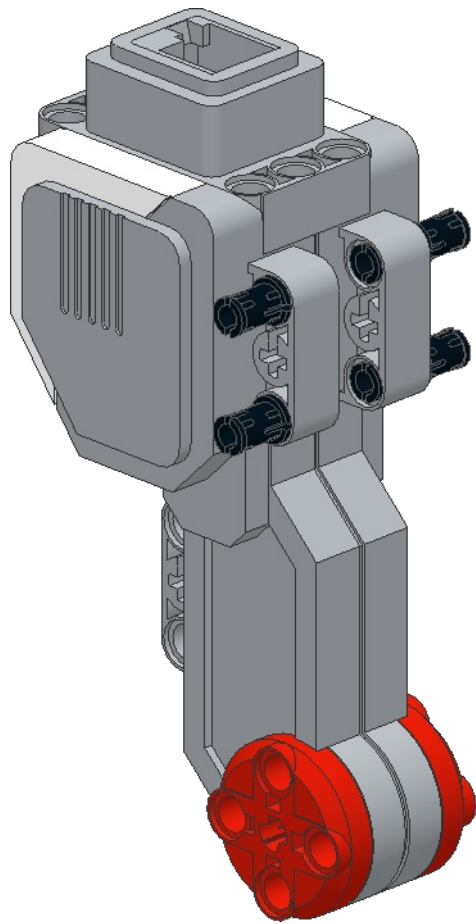
**Name: SamBot**

**Created by: Anderson Harayashiki Moreira**

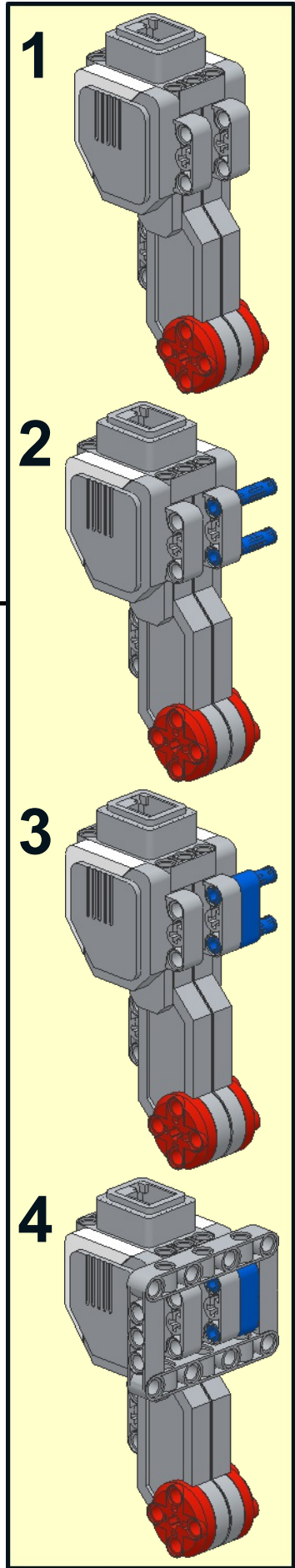
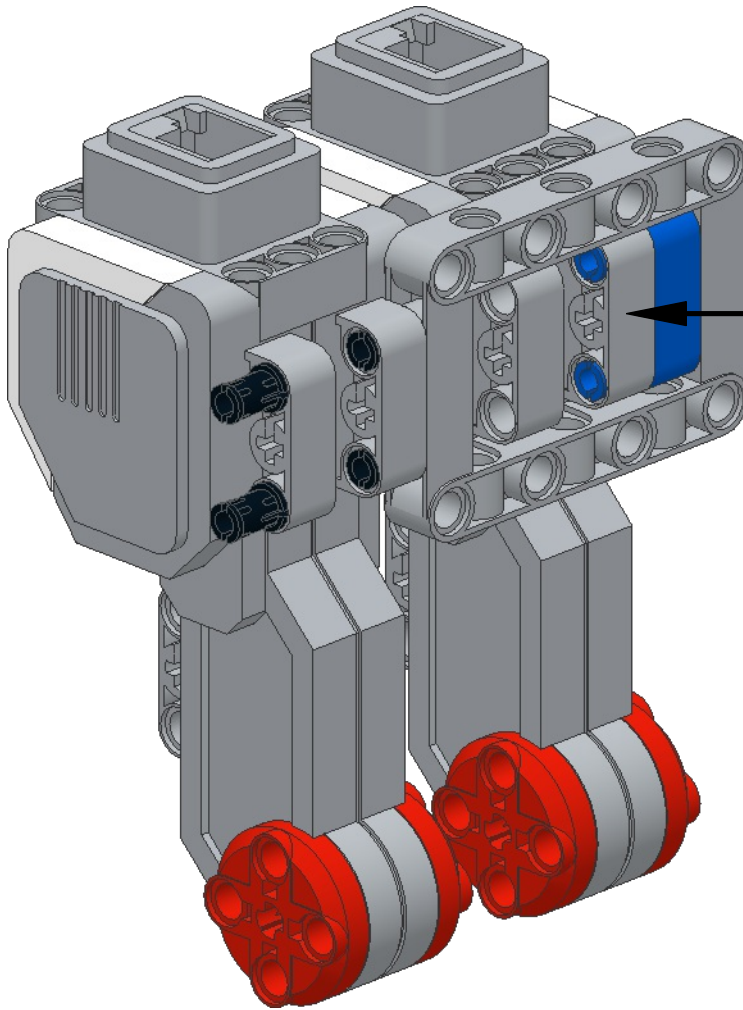
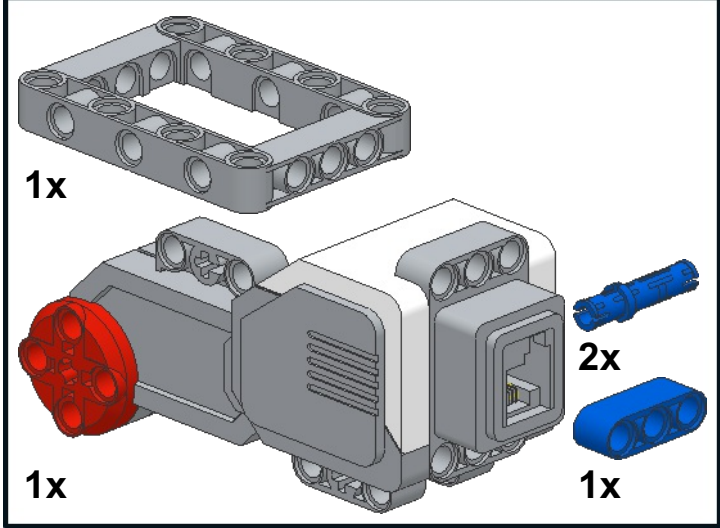
1



2

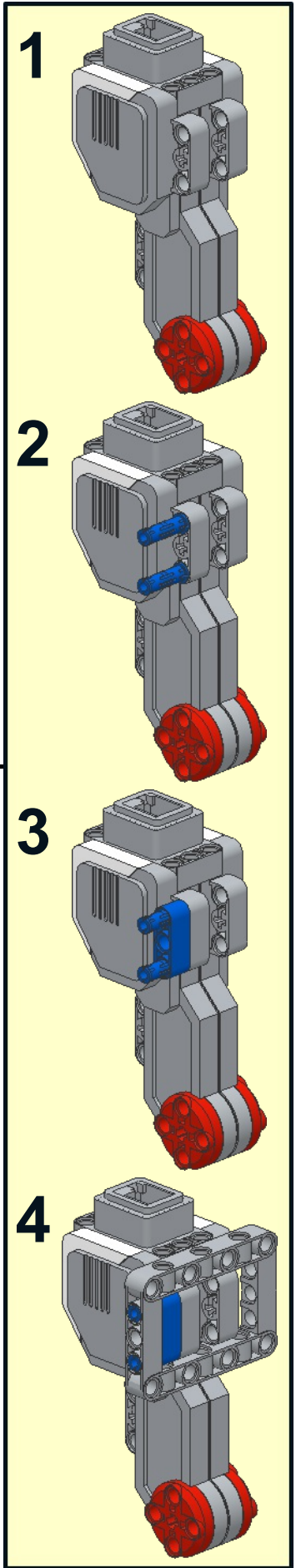
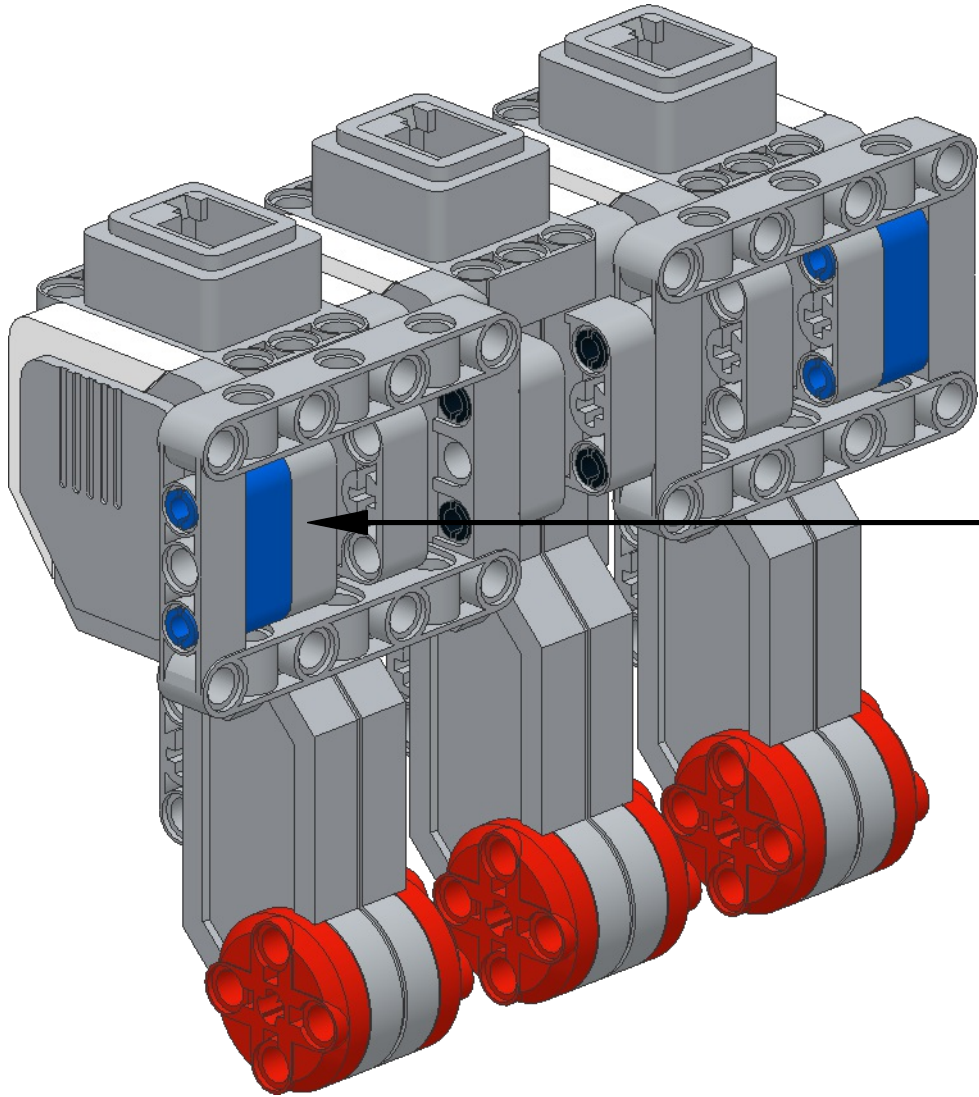
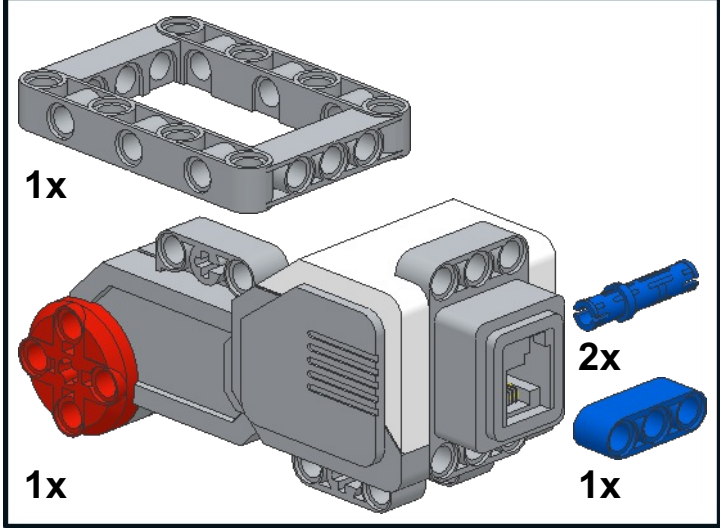


# 3

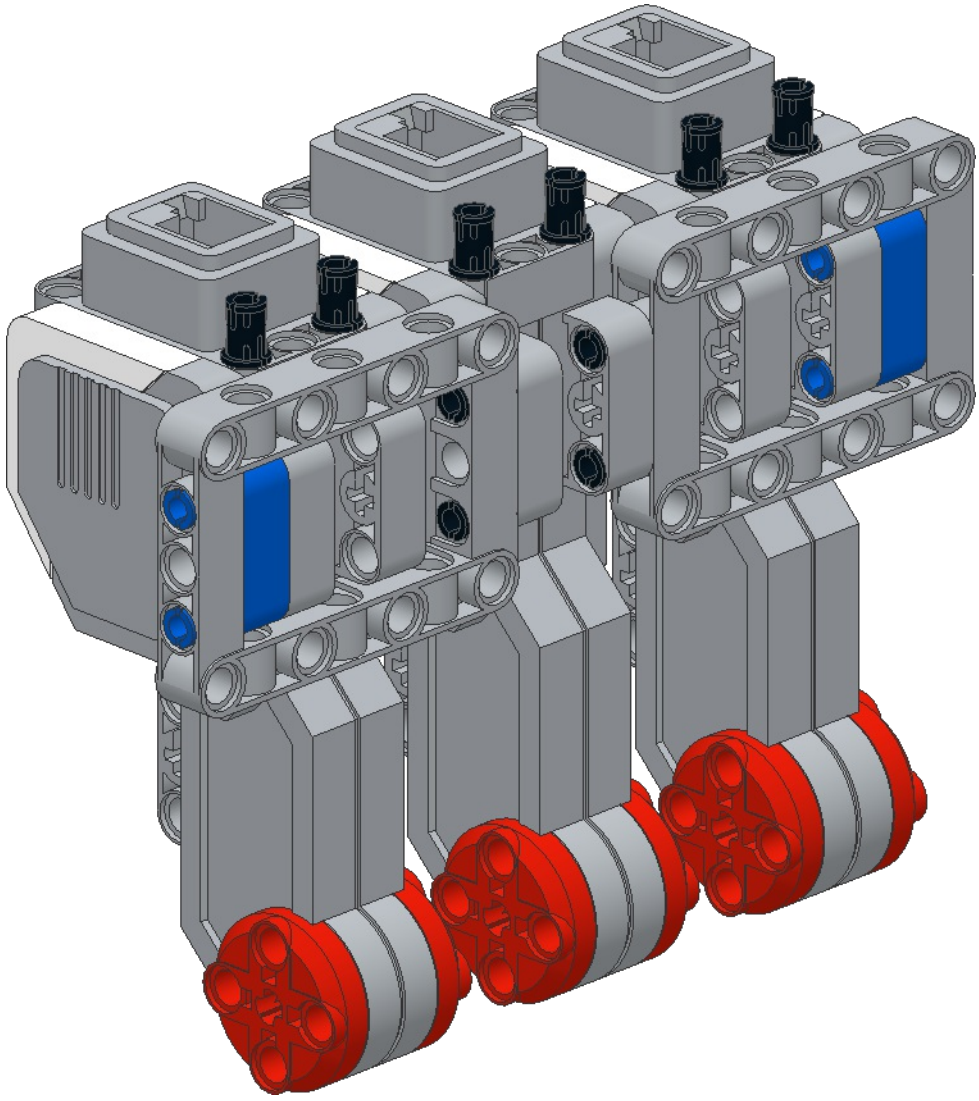




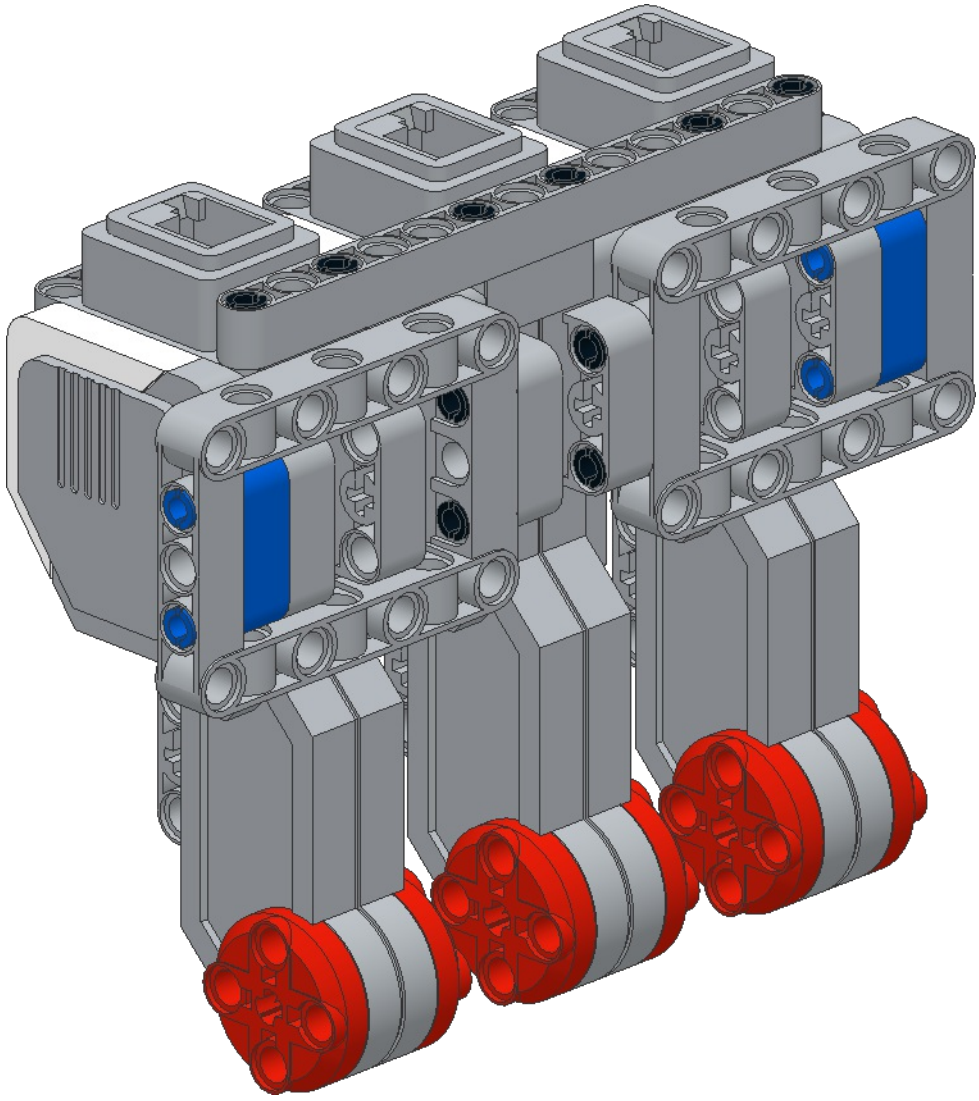
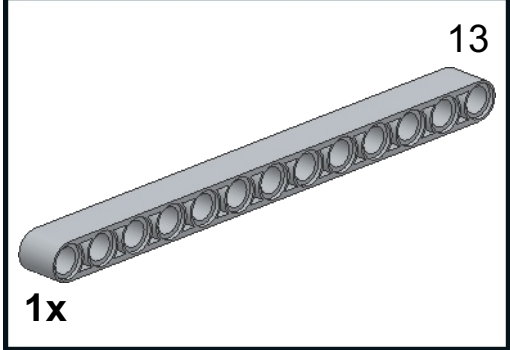
# 4



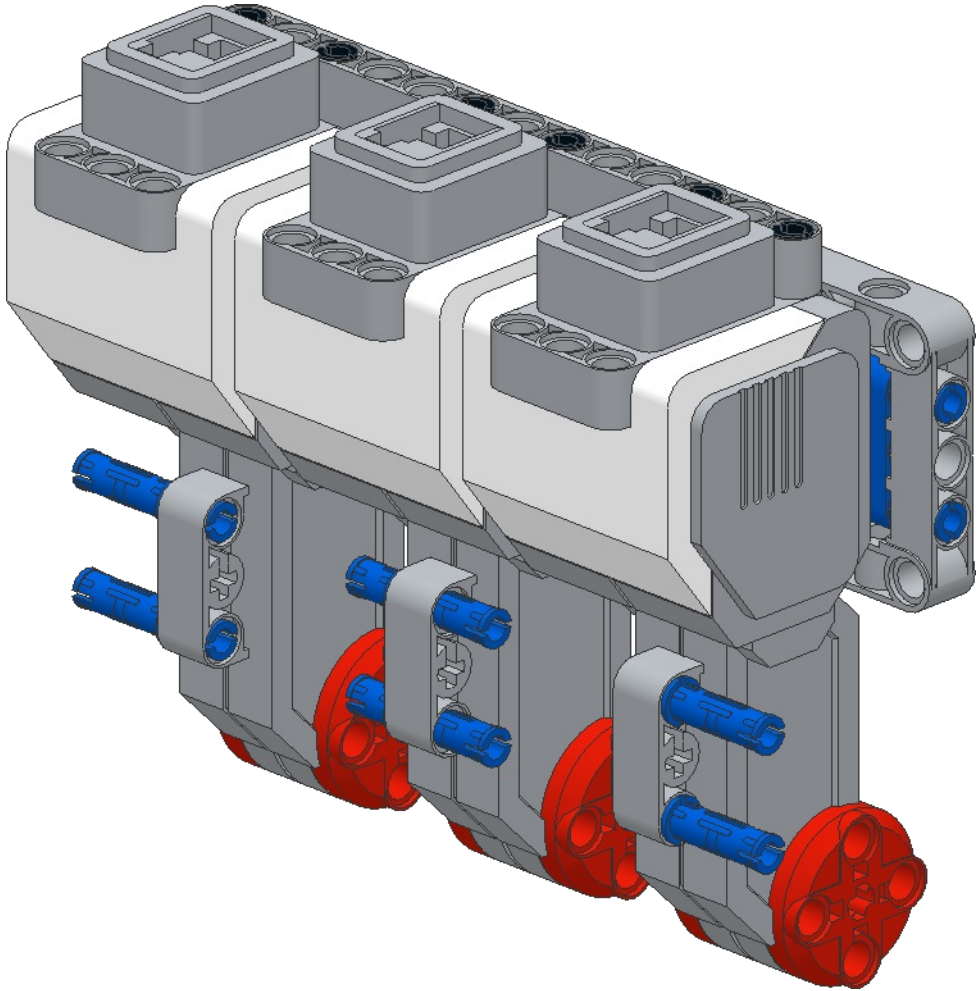
5



6

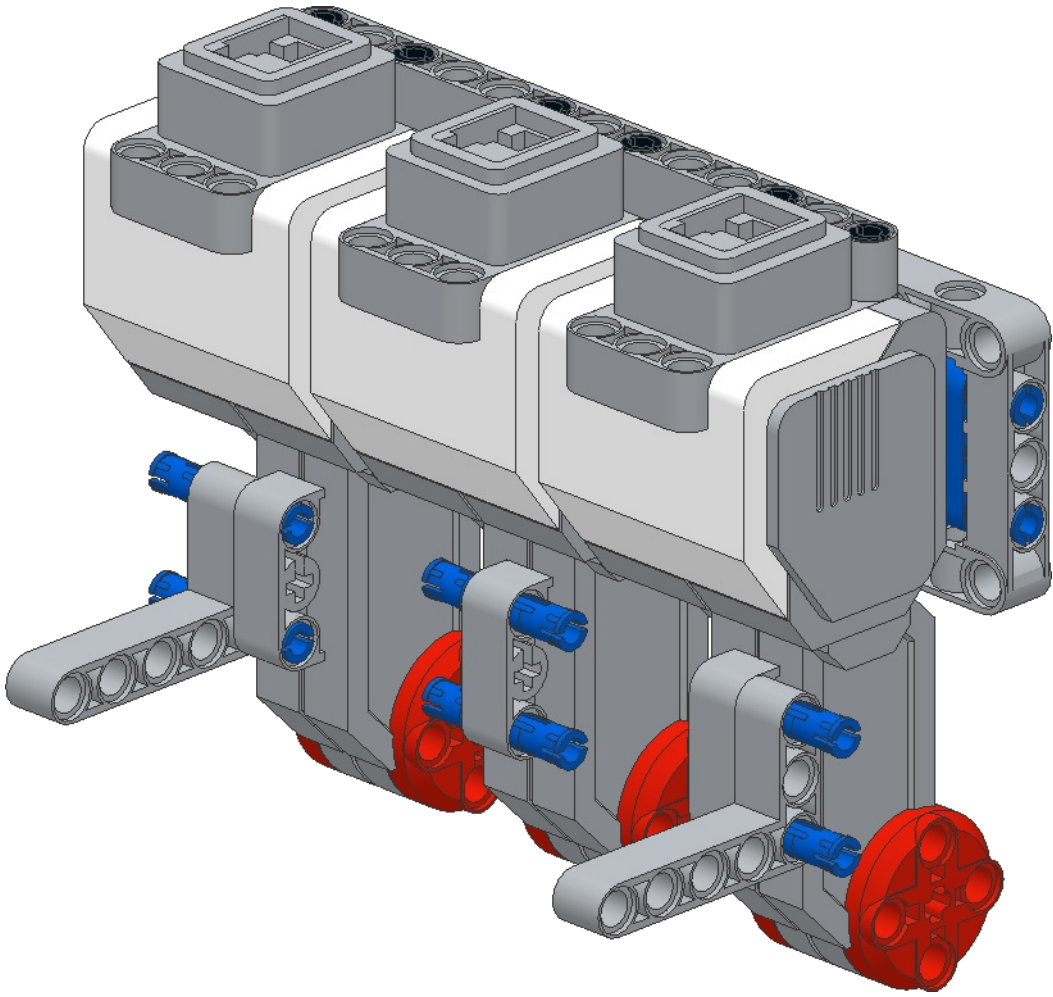
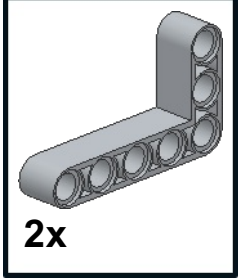


7

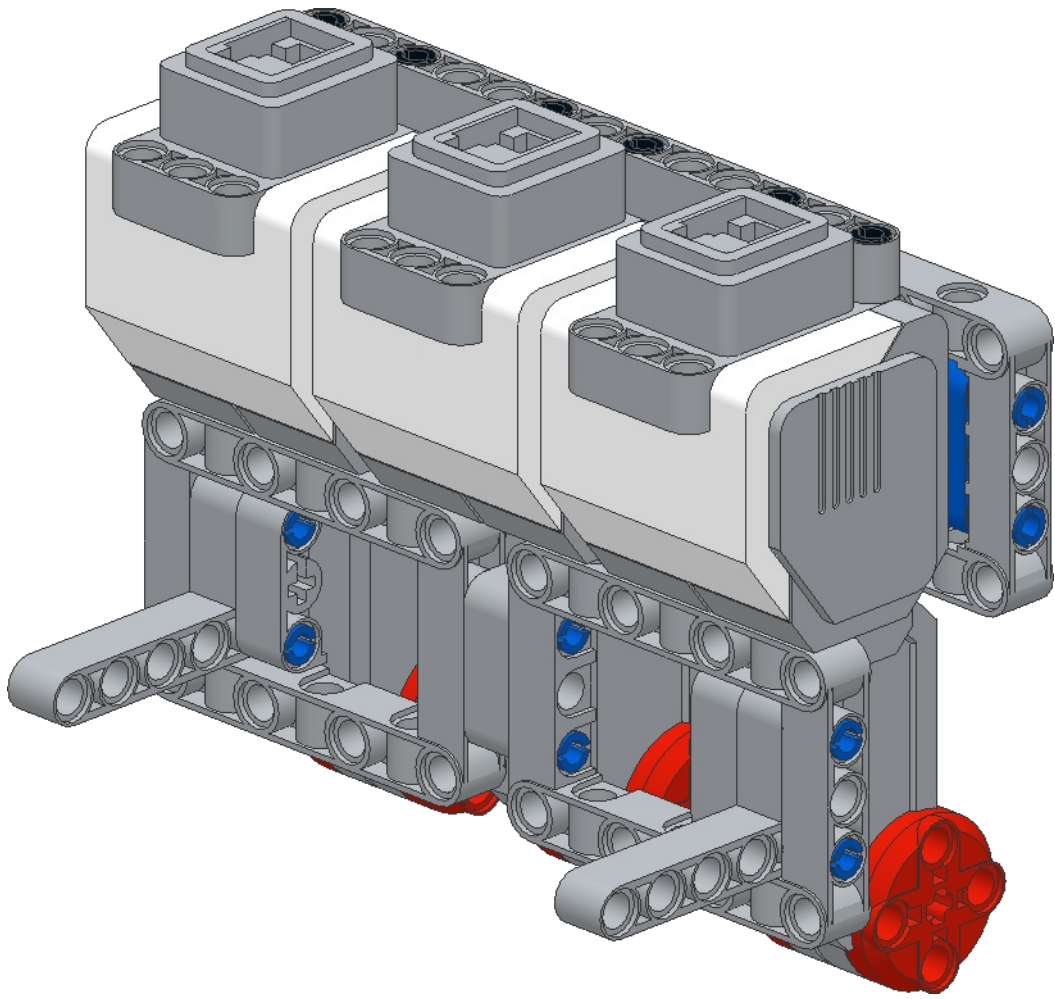
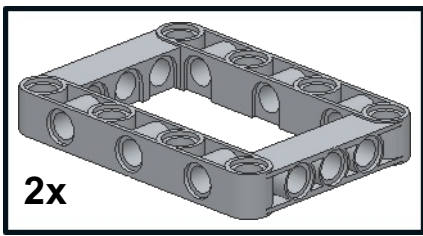




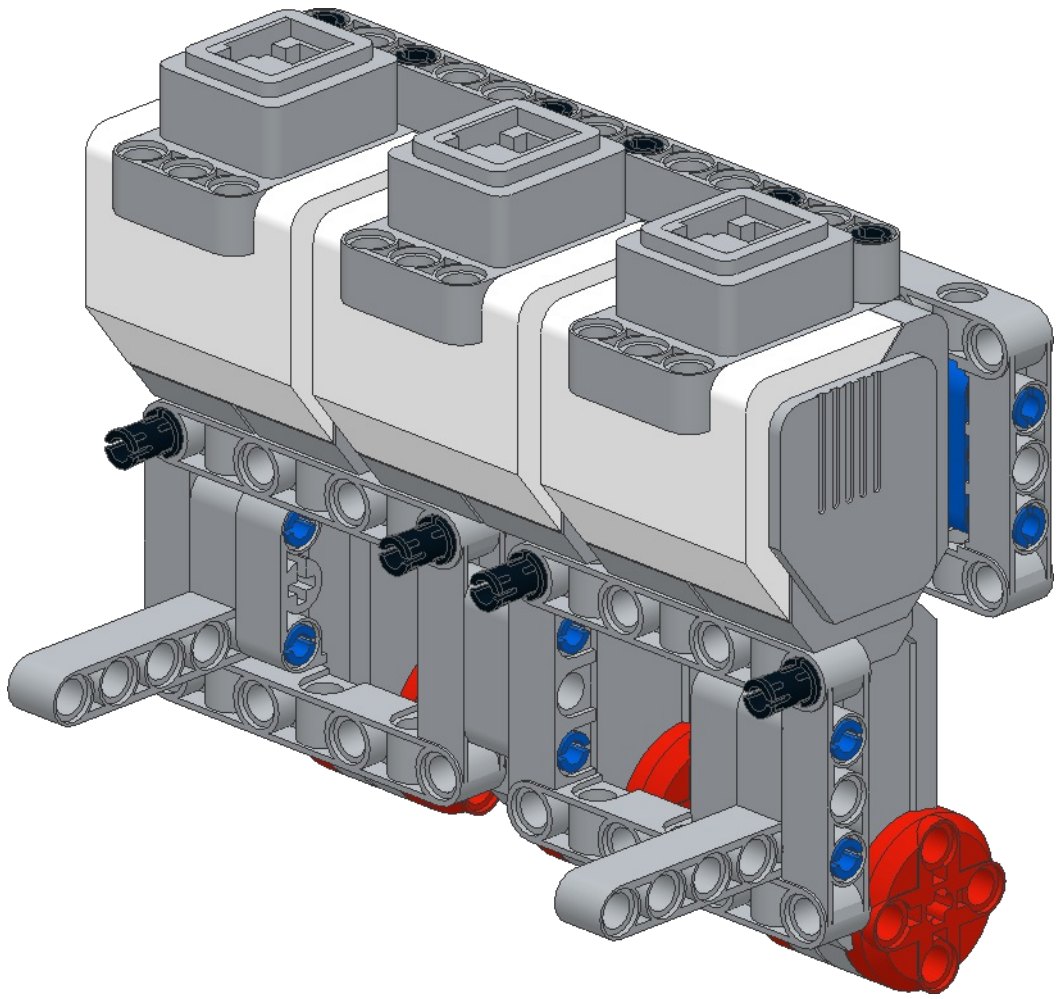
8

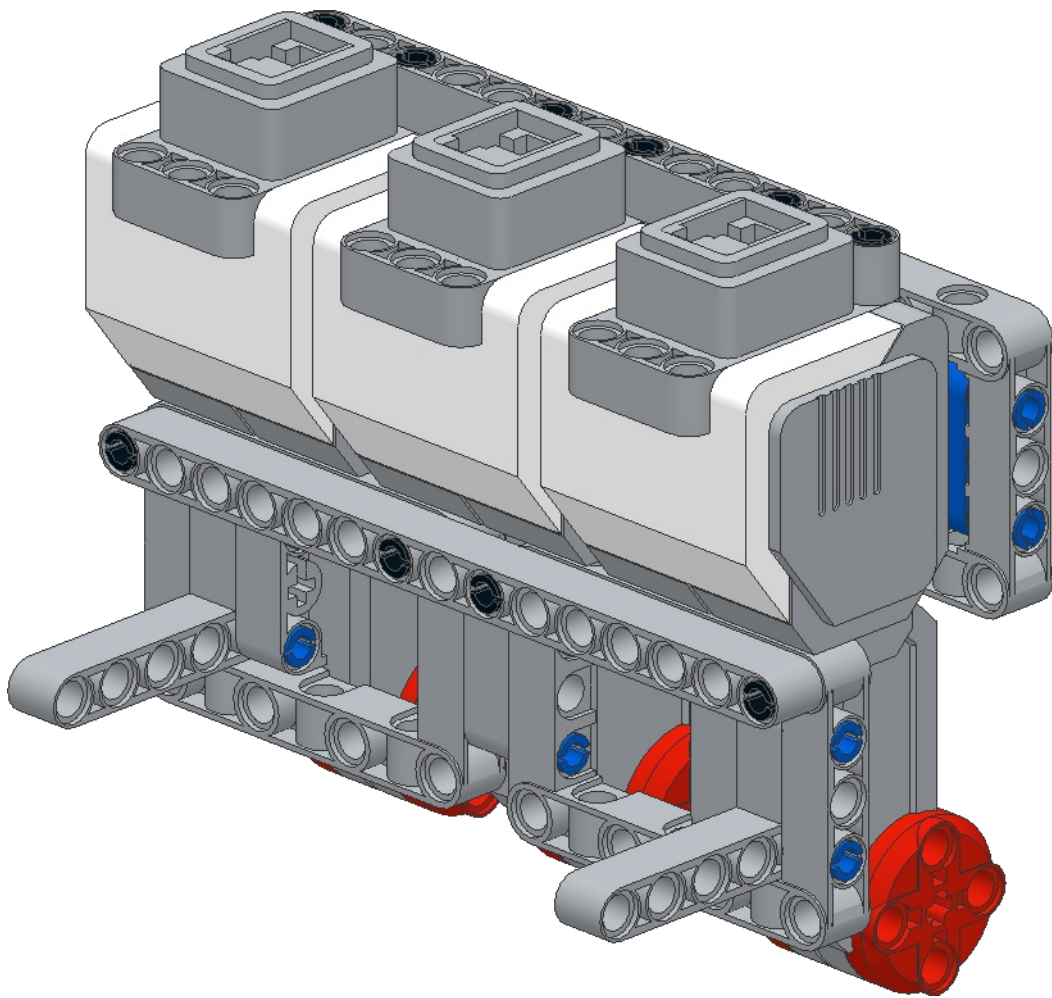
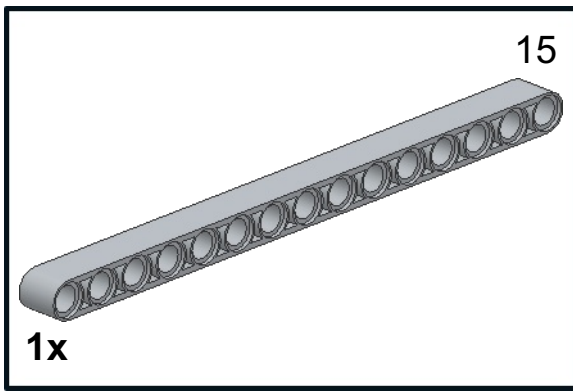


9



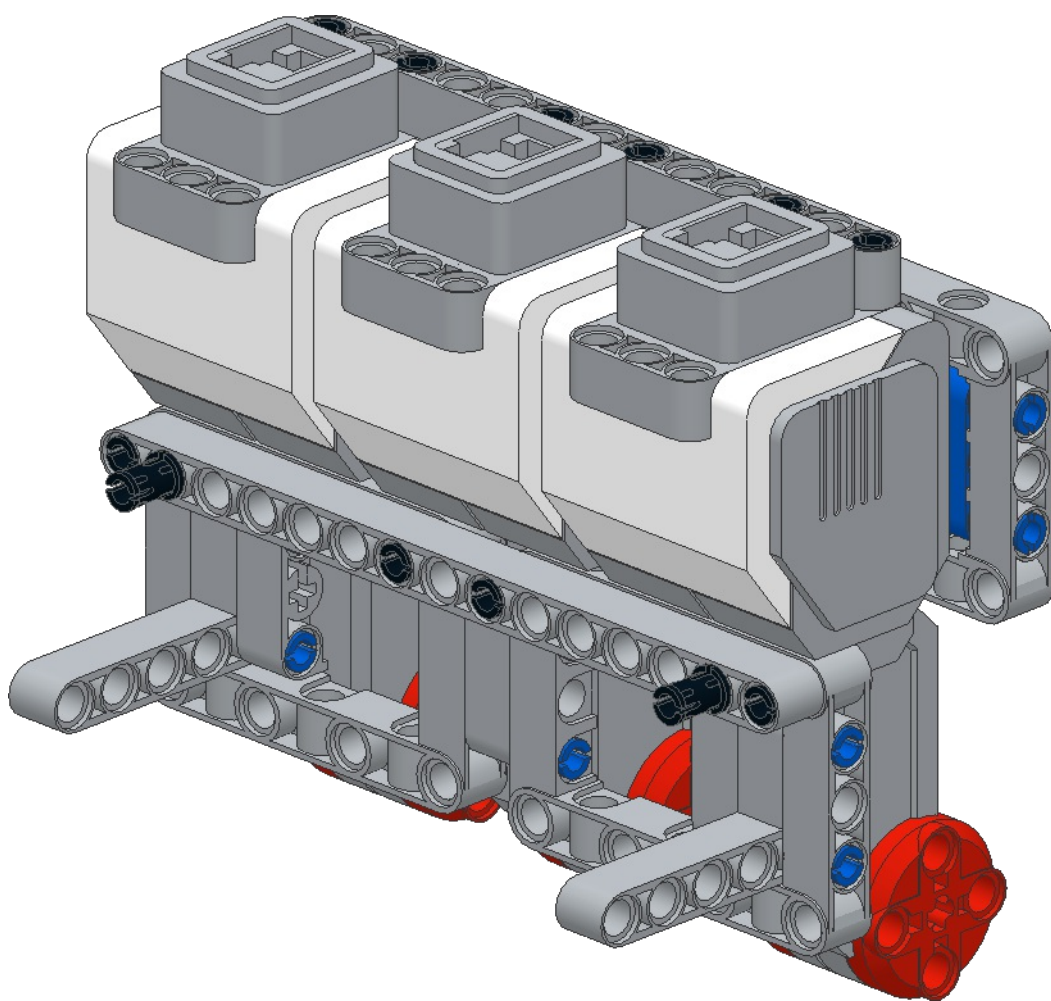
# 10



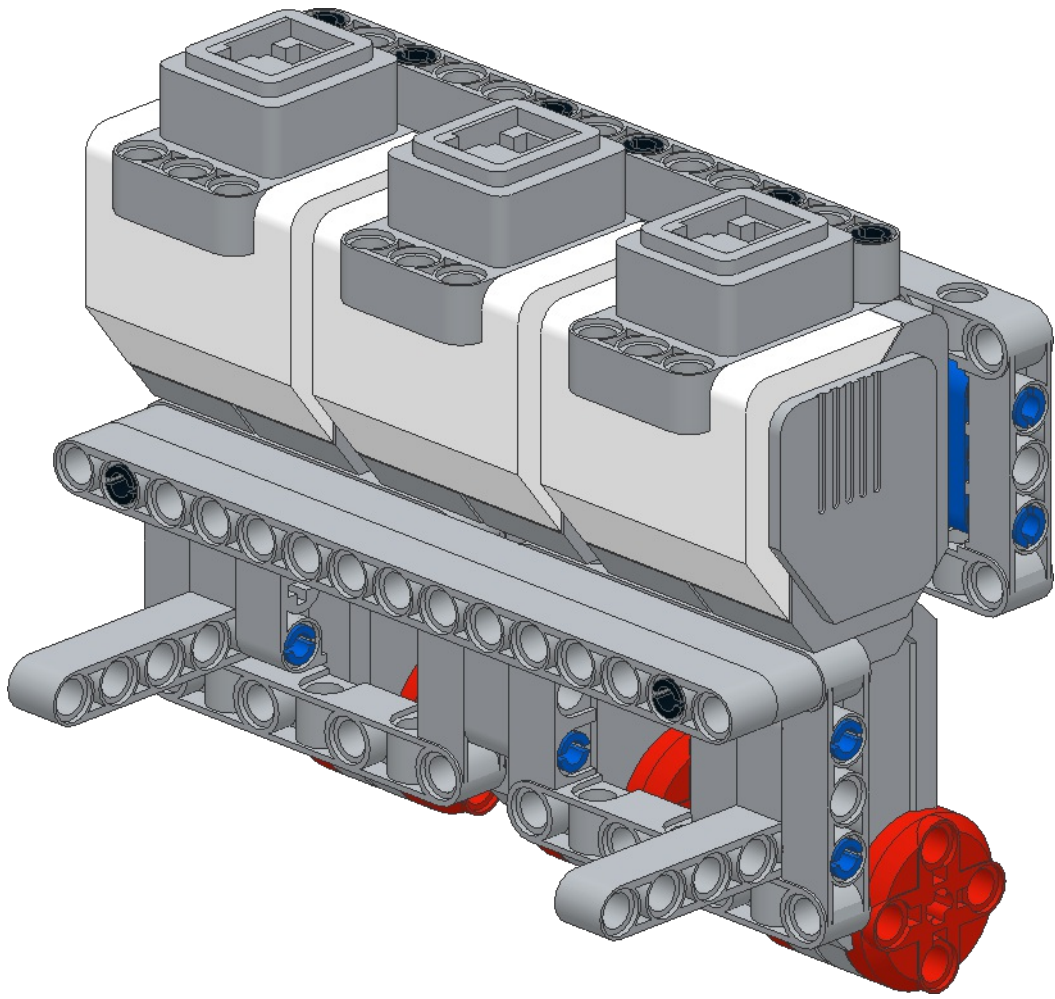
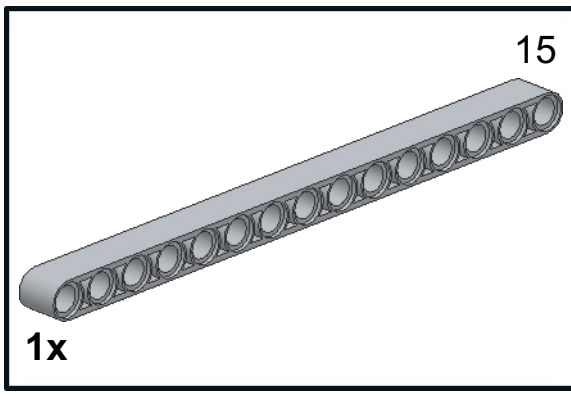




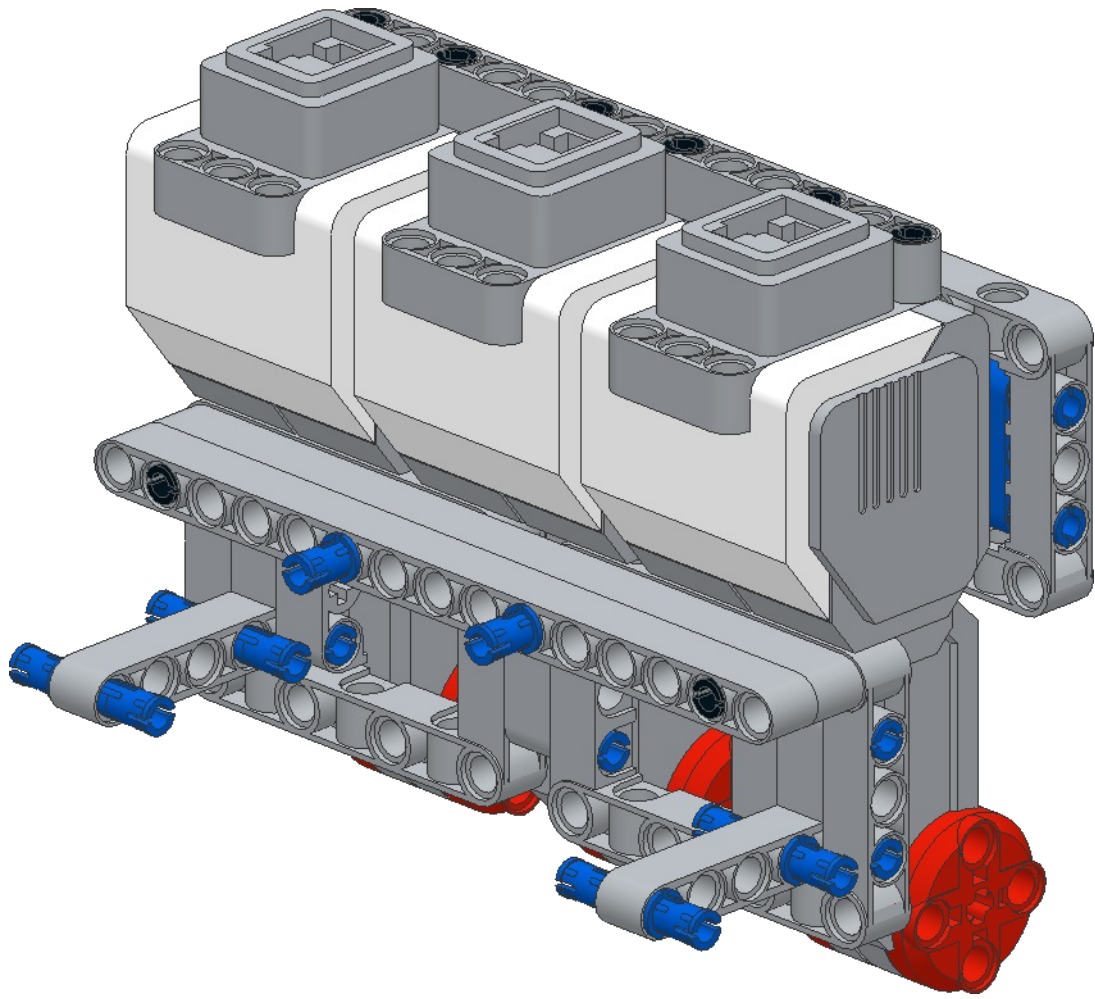
# 12



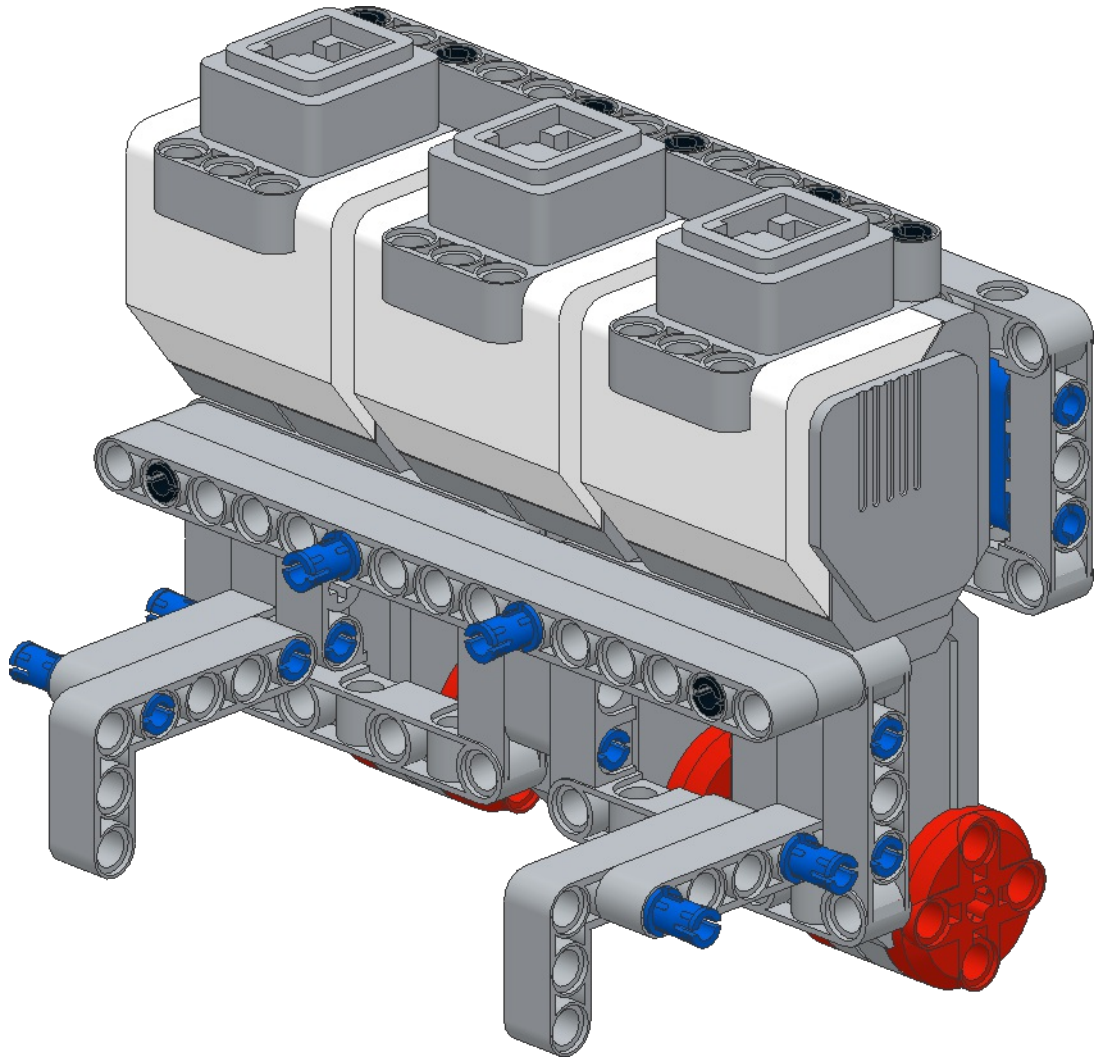
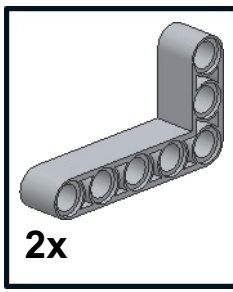
# 13



# 14

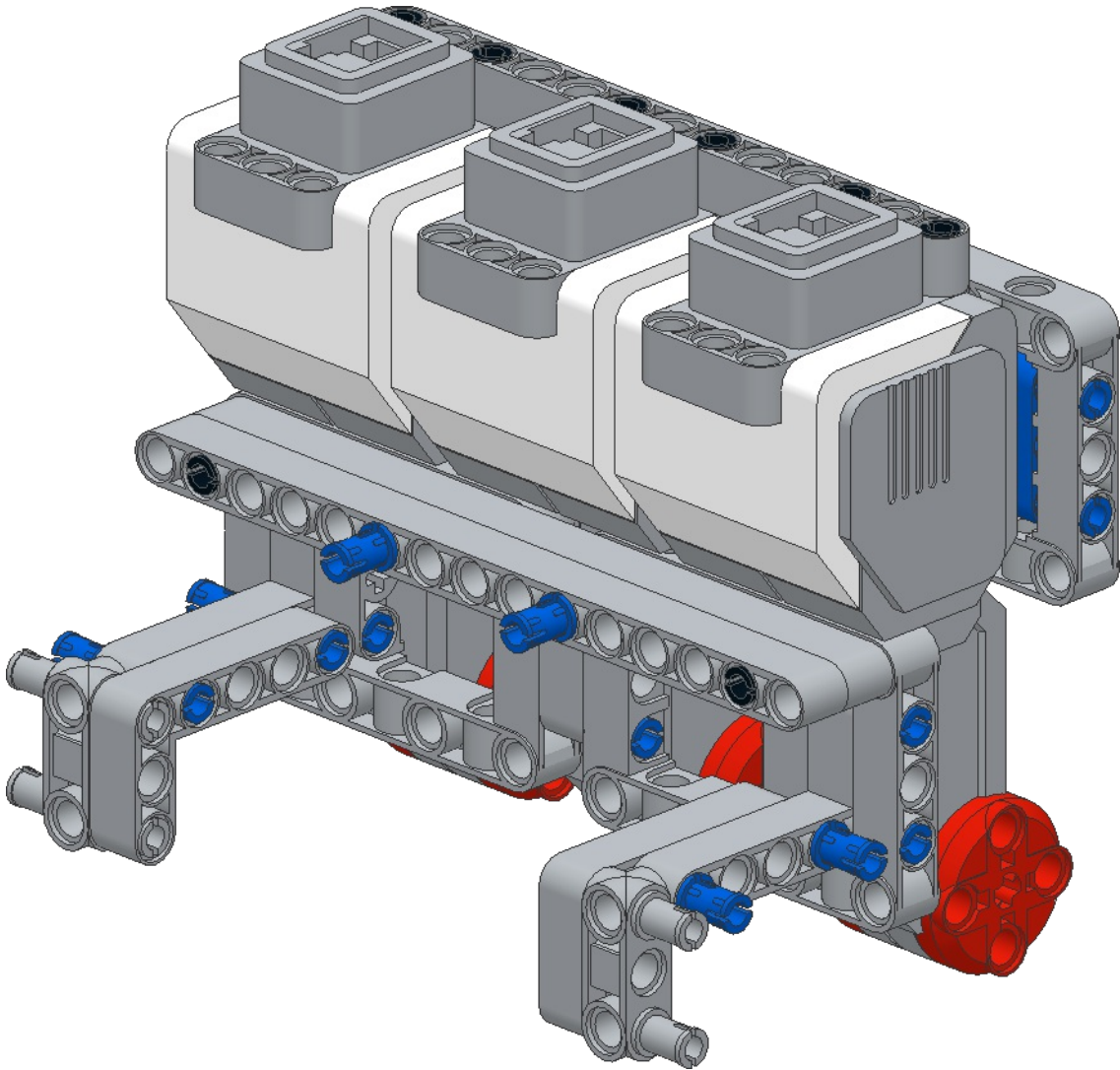
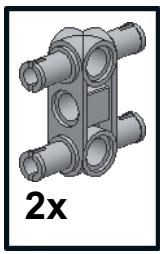


# 15

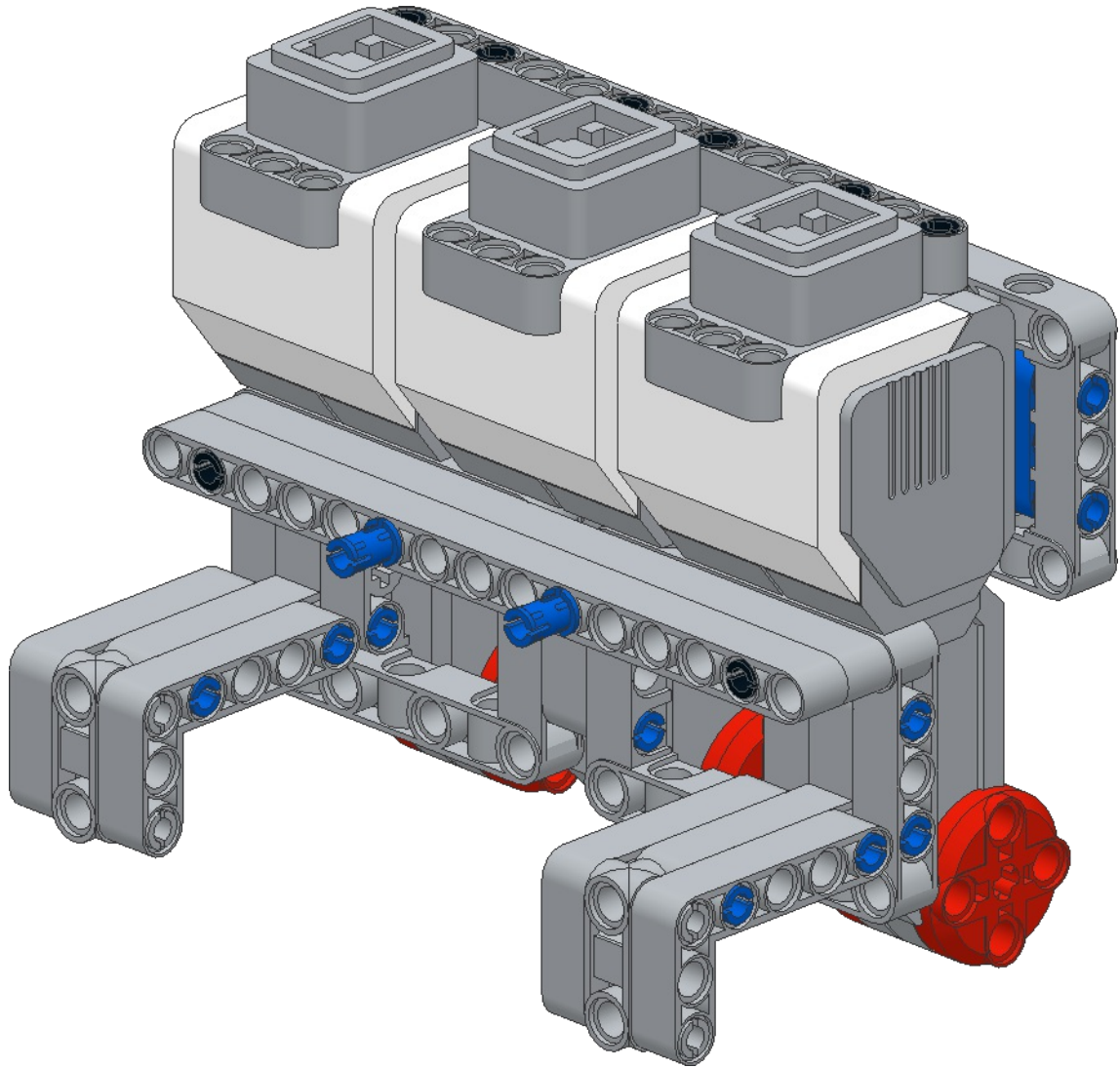
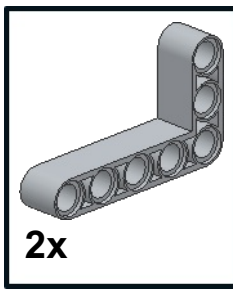




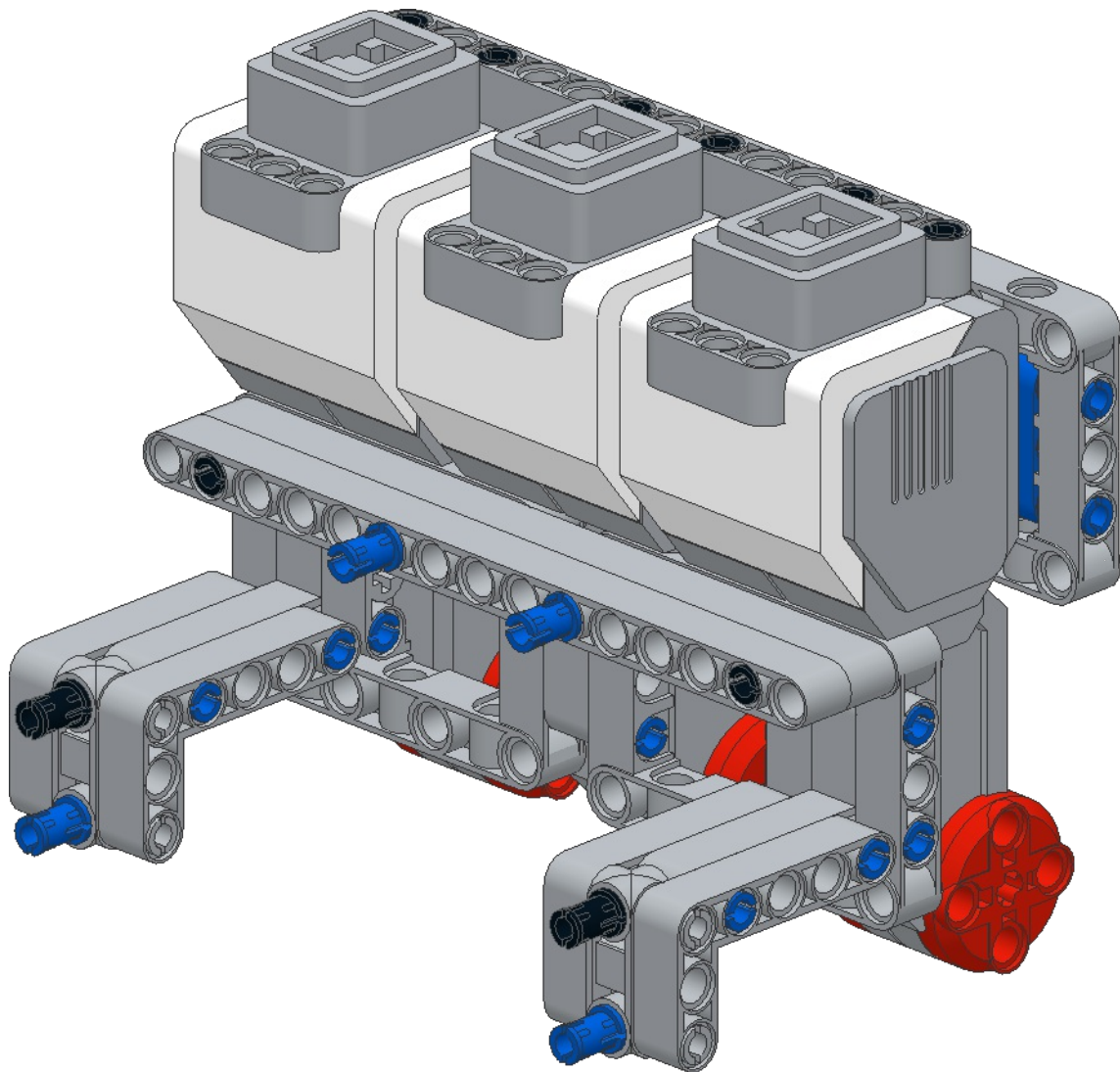
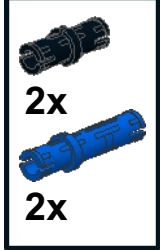
# 16



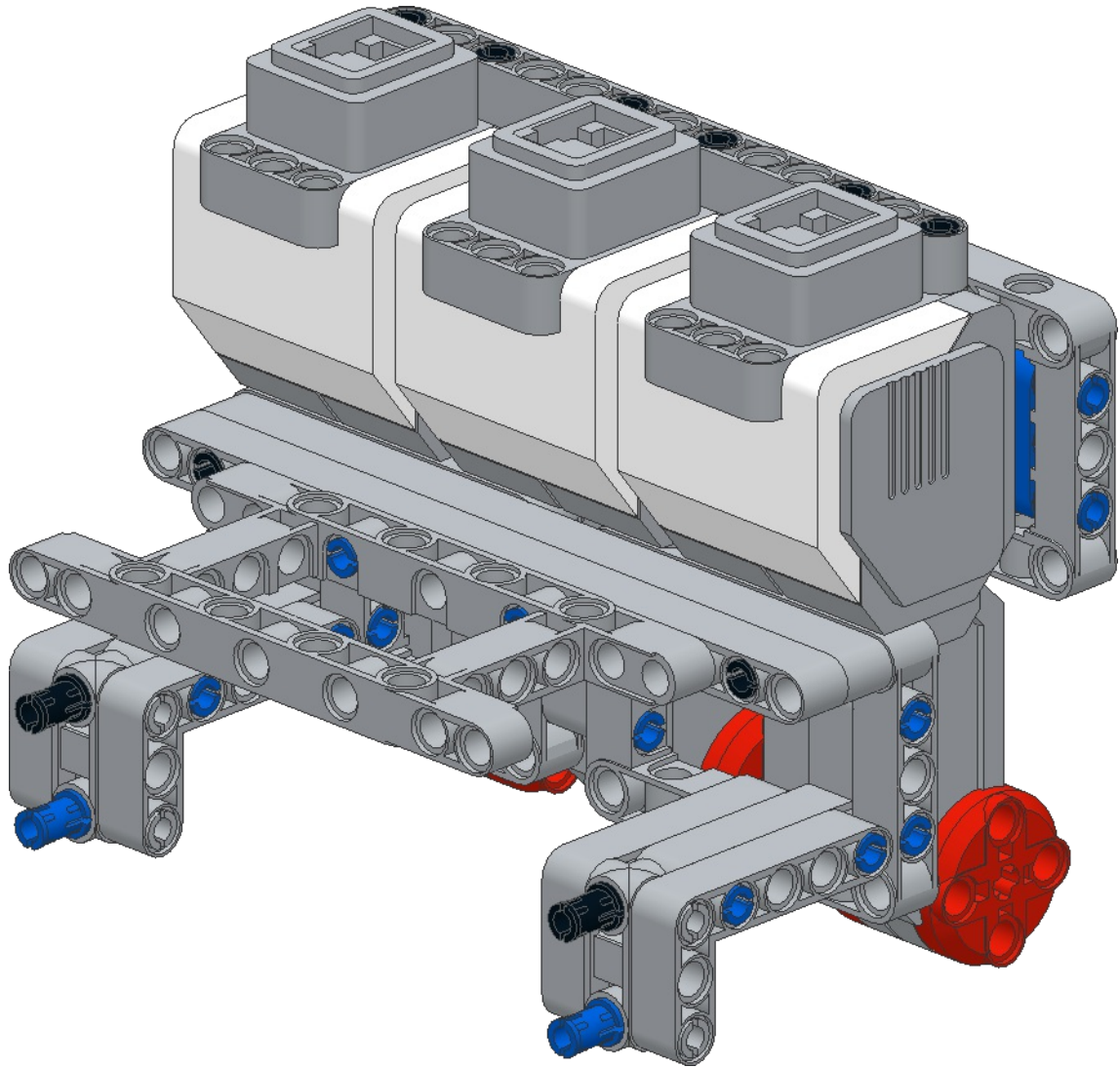
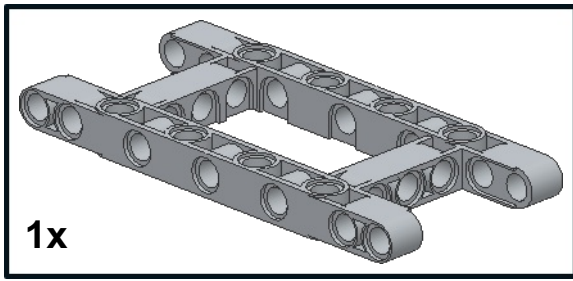
# 17



# 18

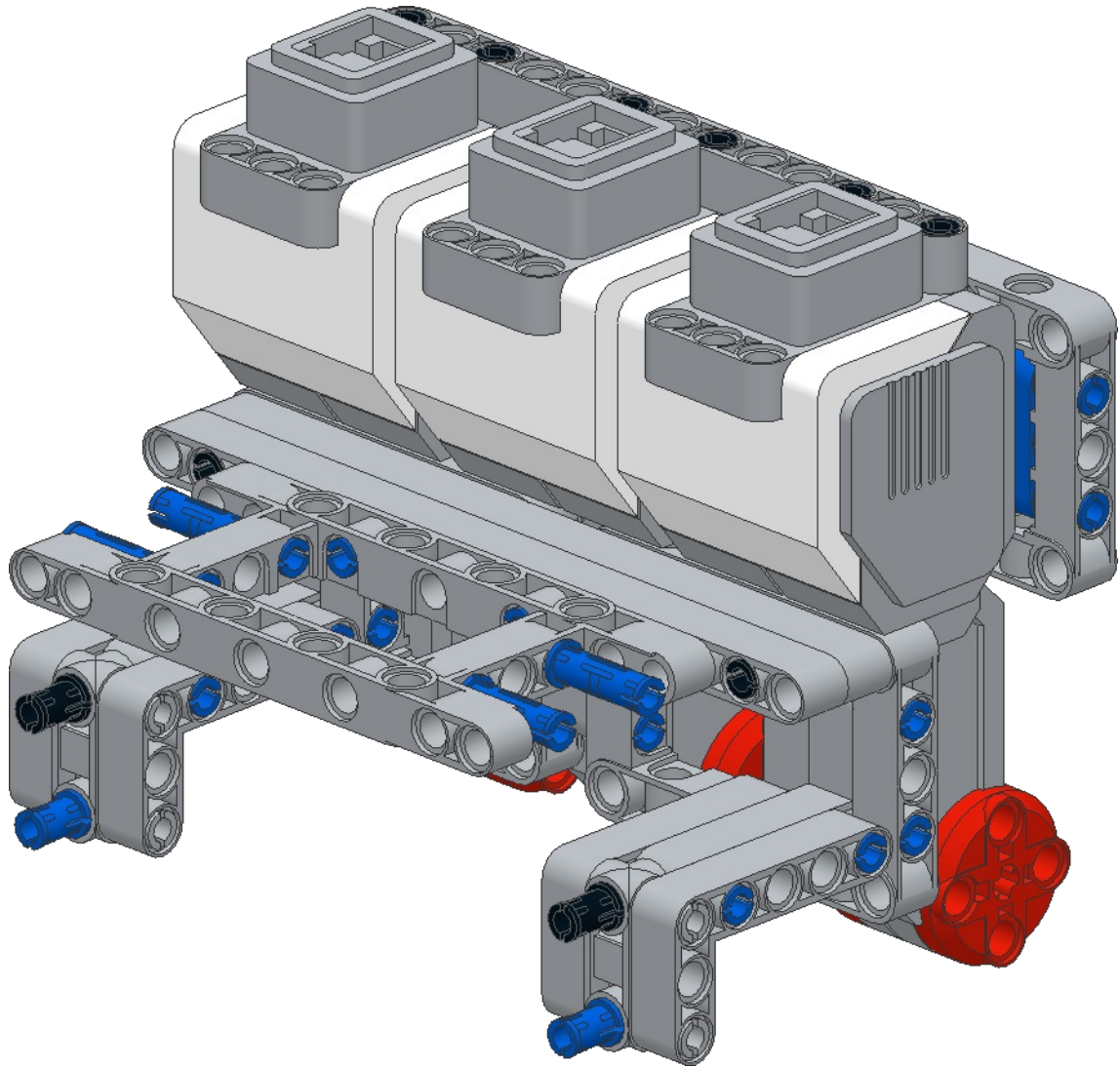


# 19

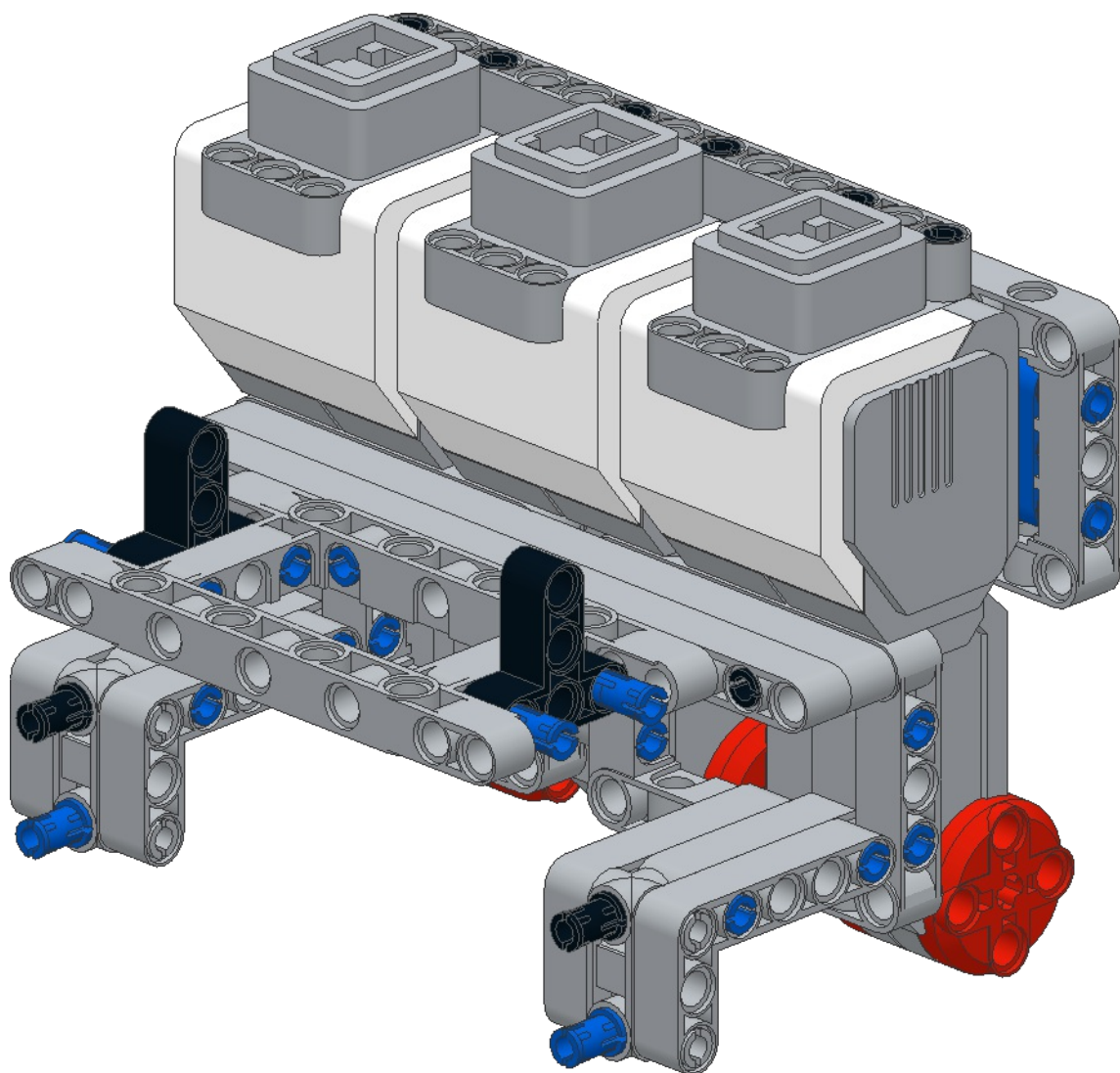




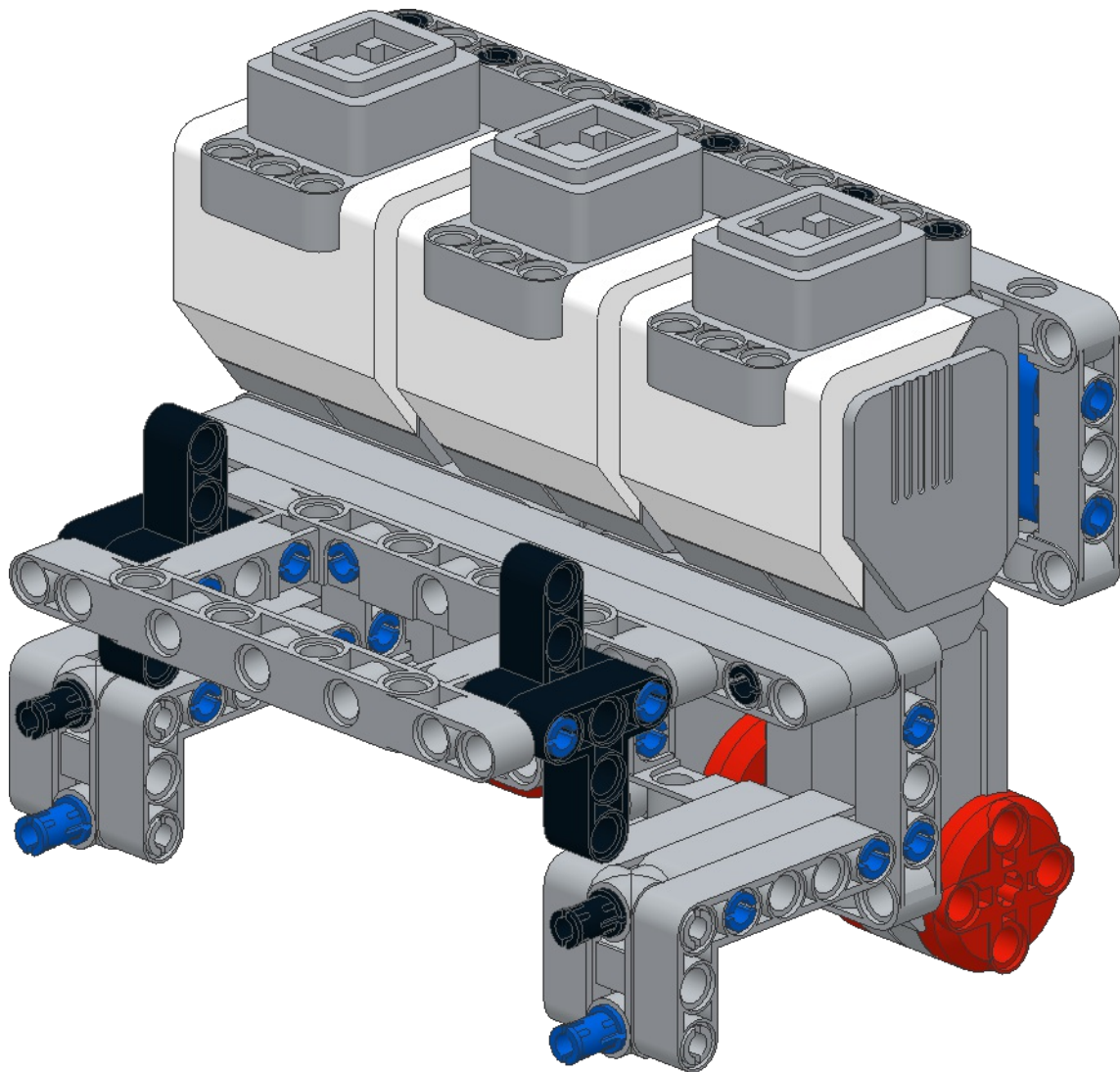
20



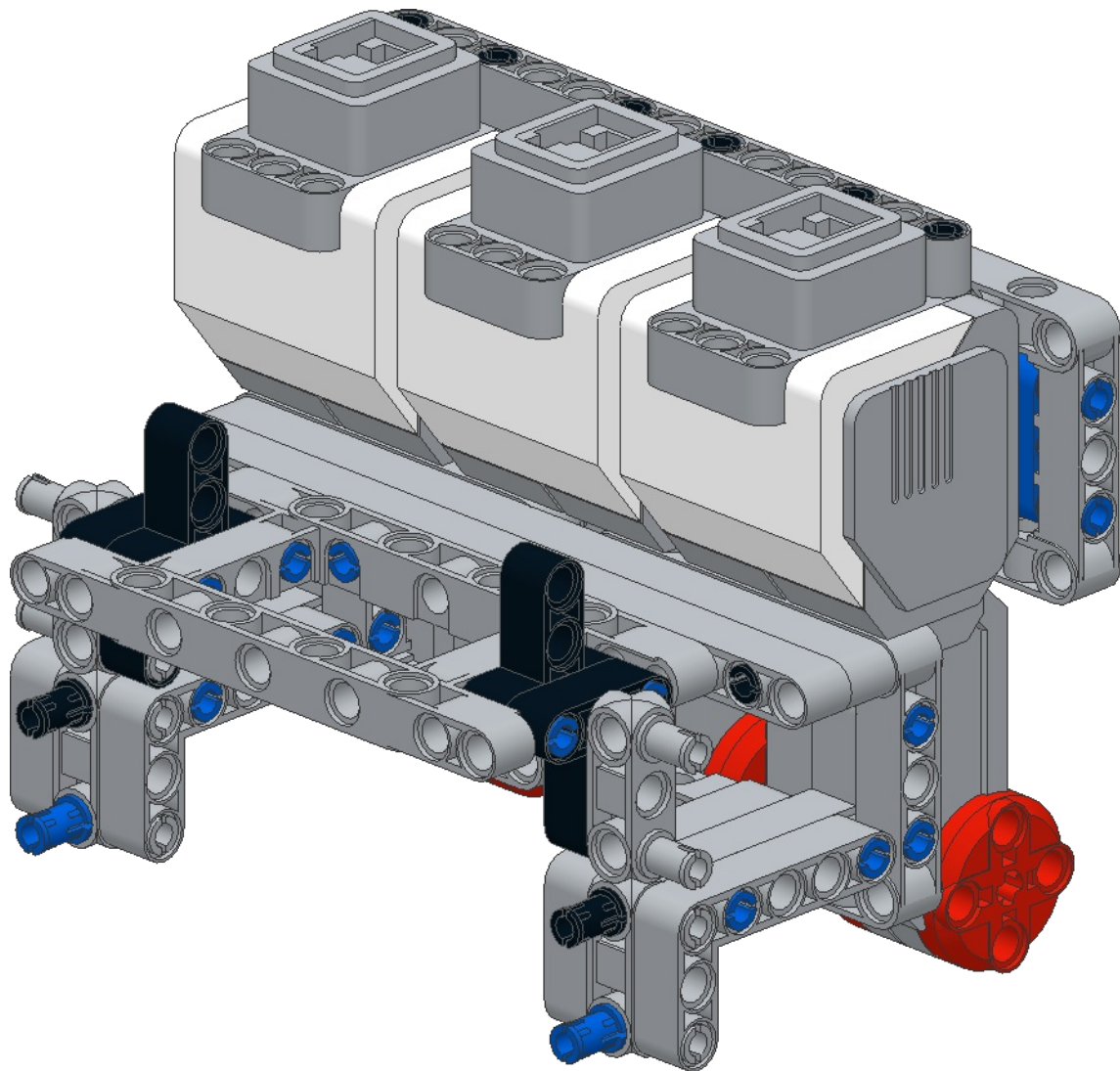
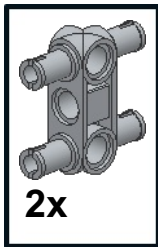
# 21



22

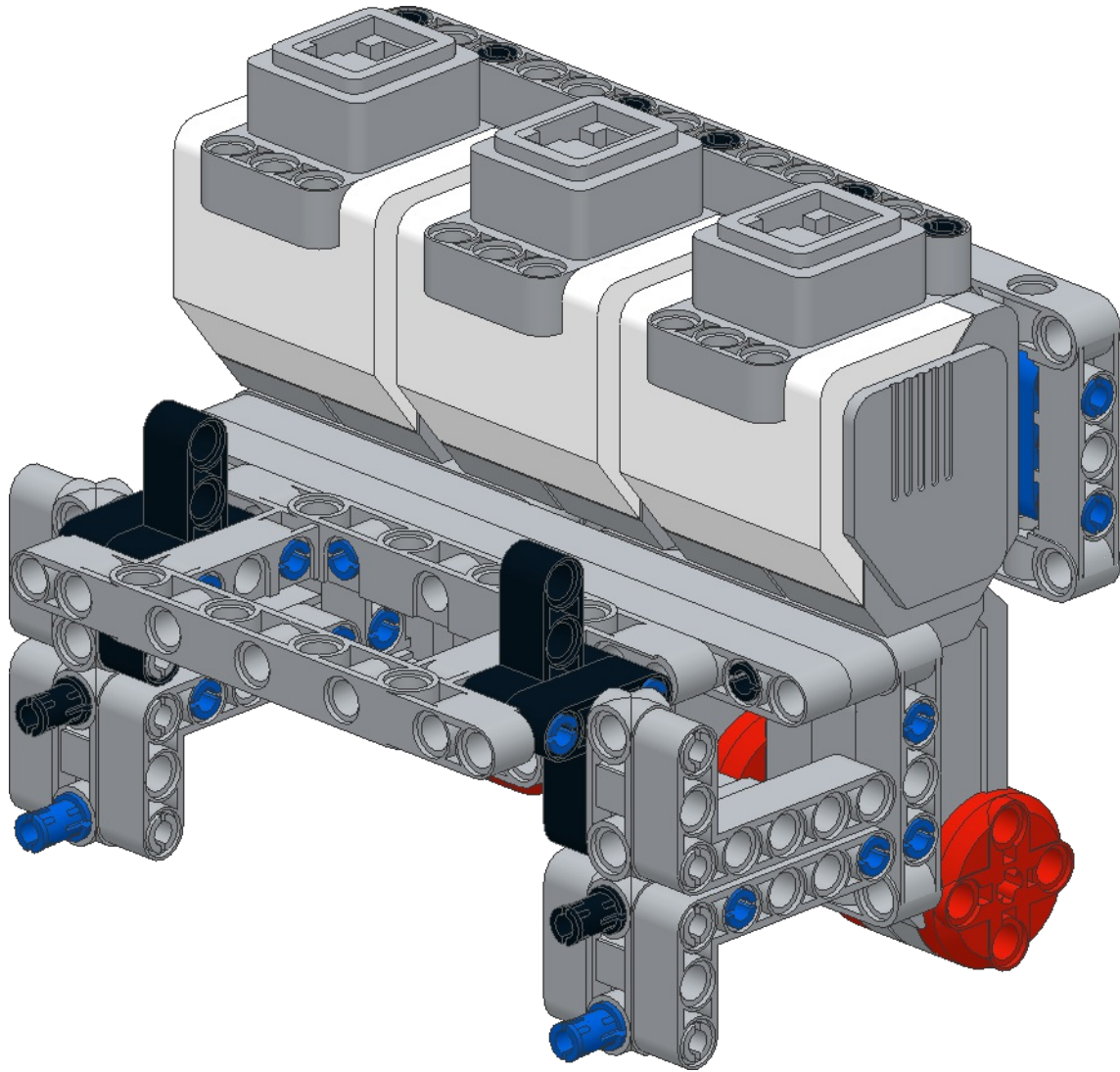
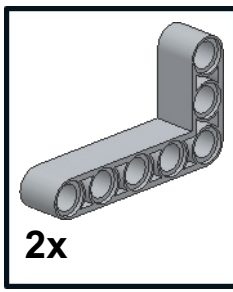


23



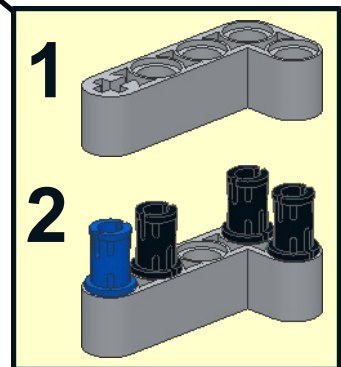
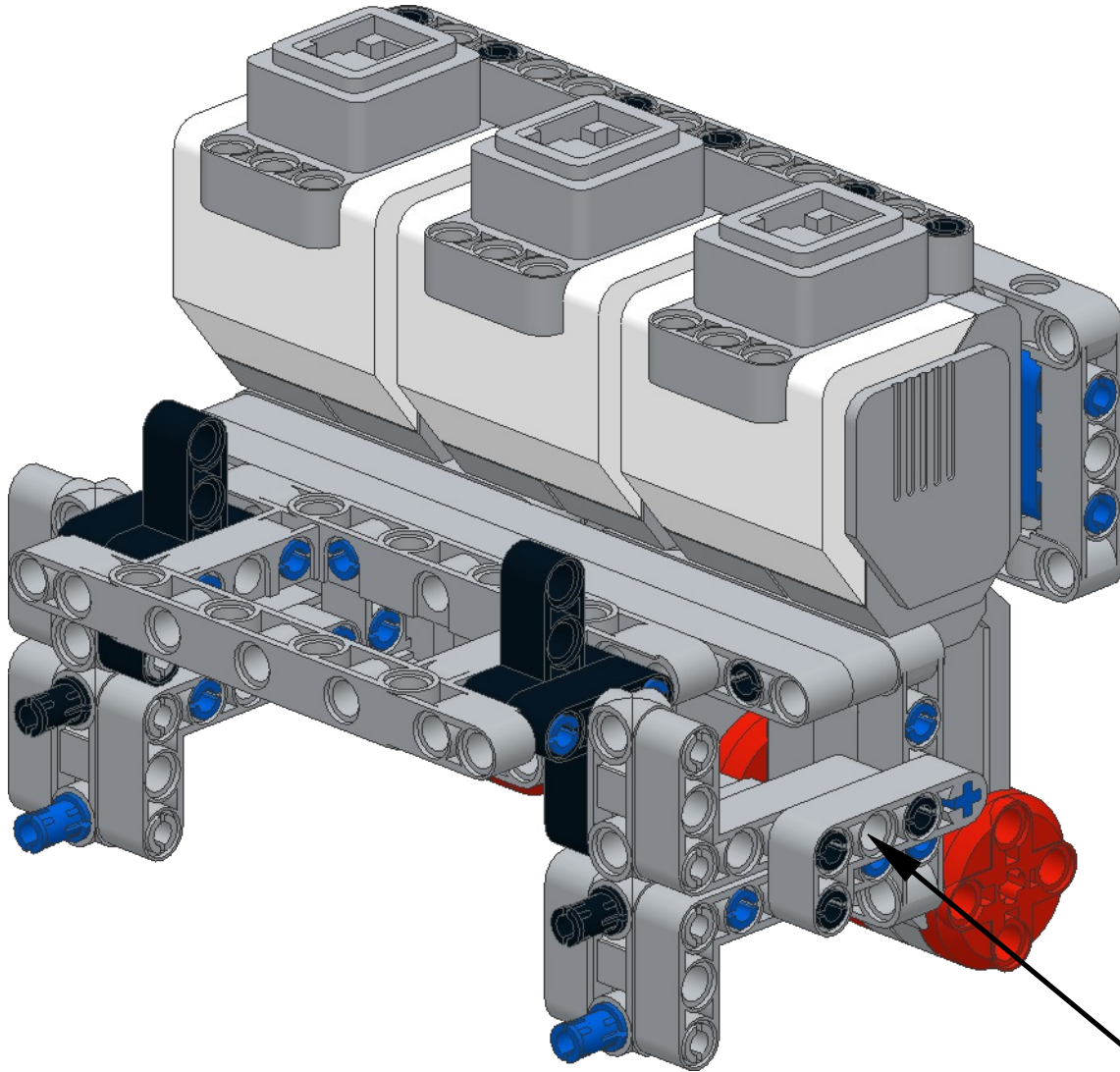
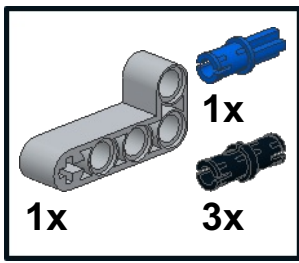


# 24

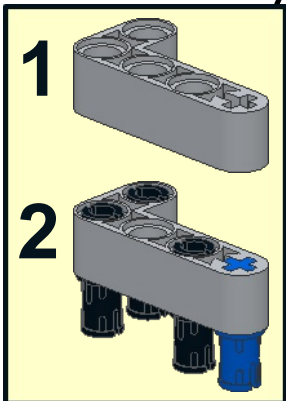
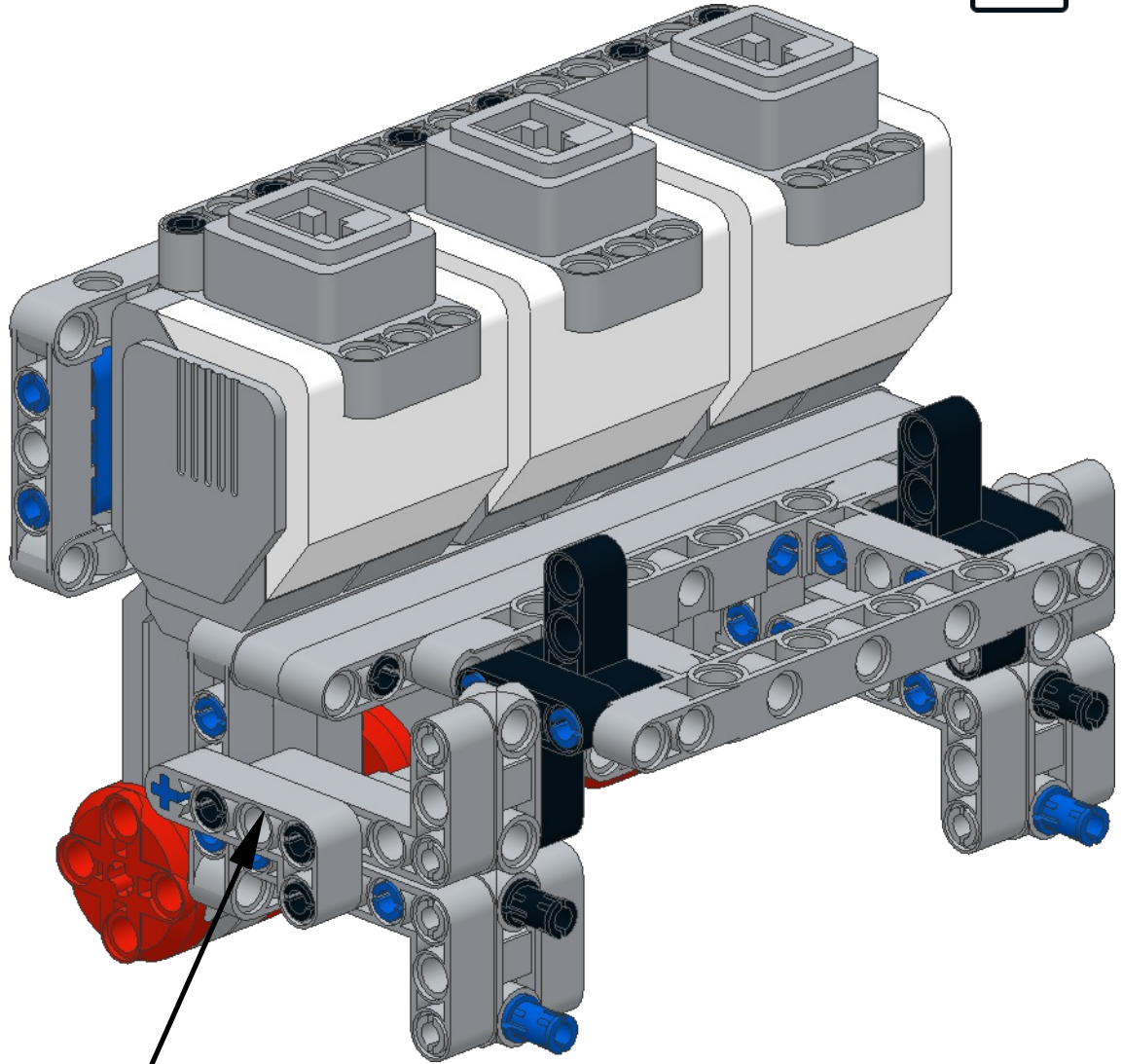
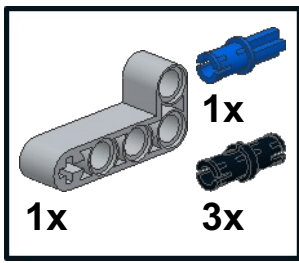




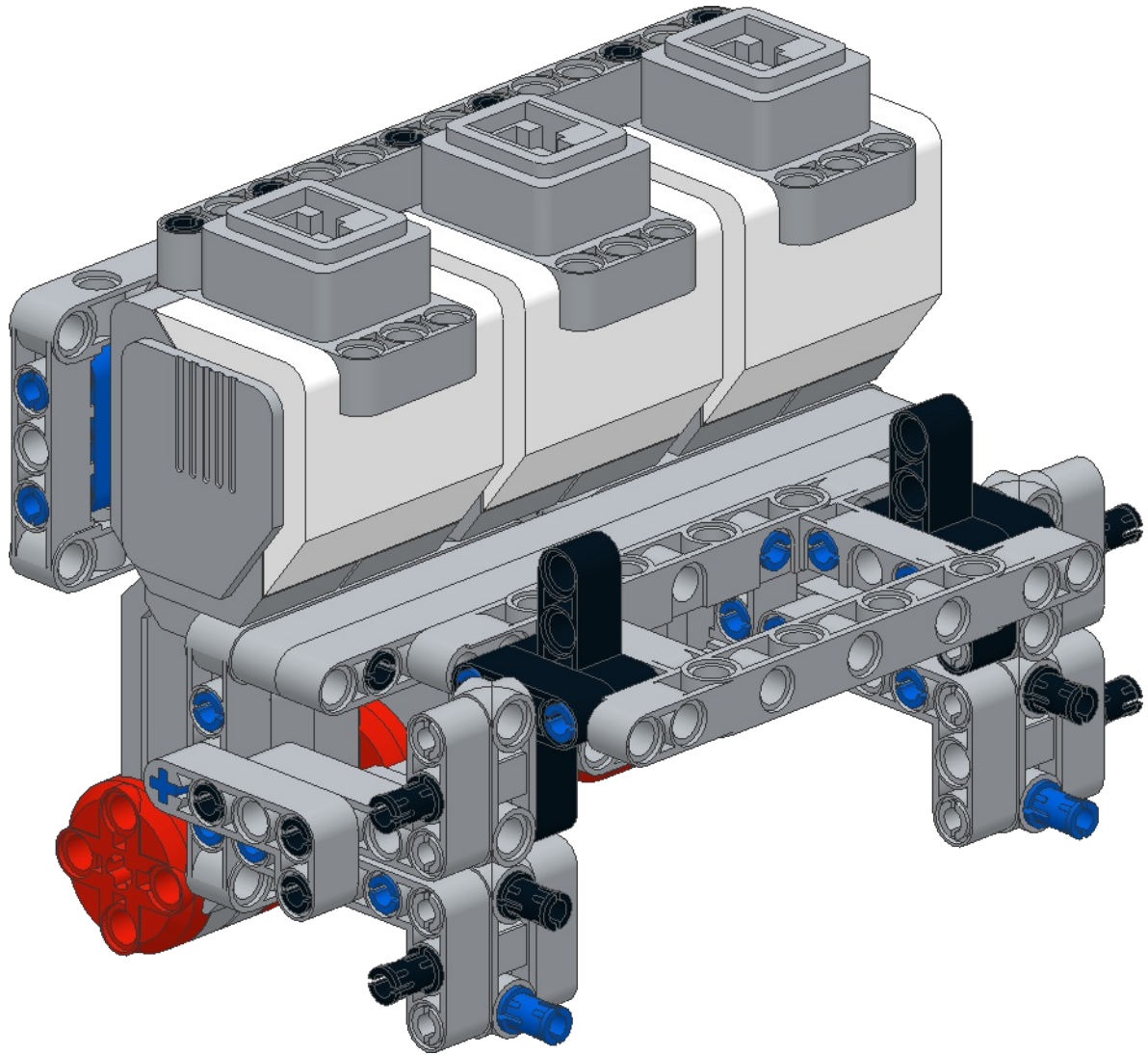
# 25

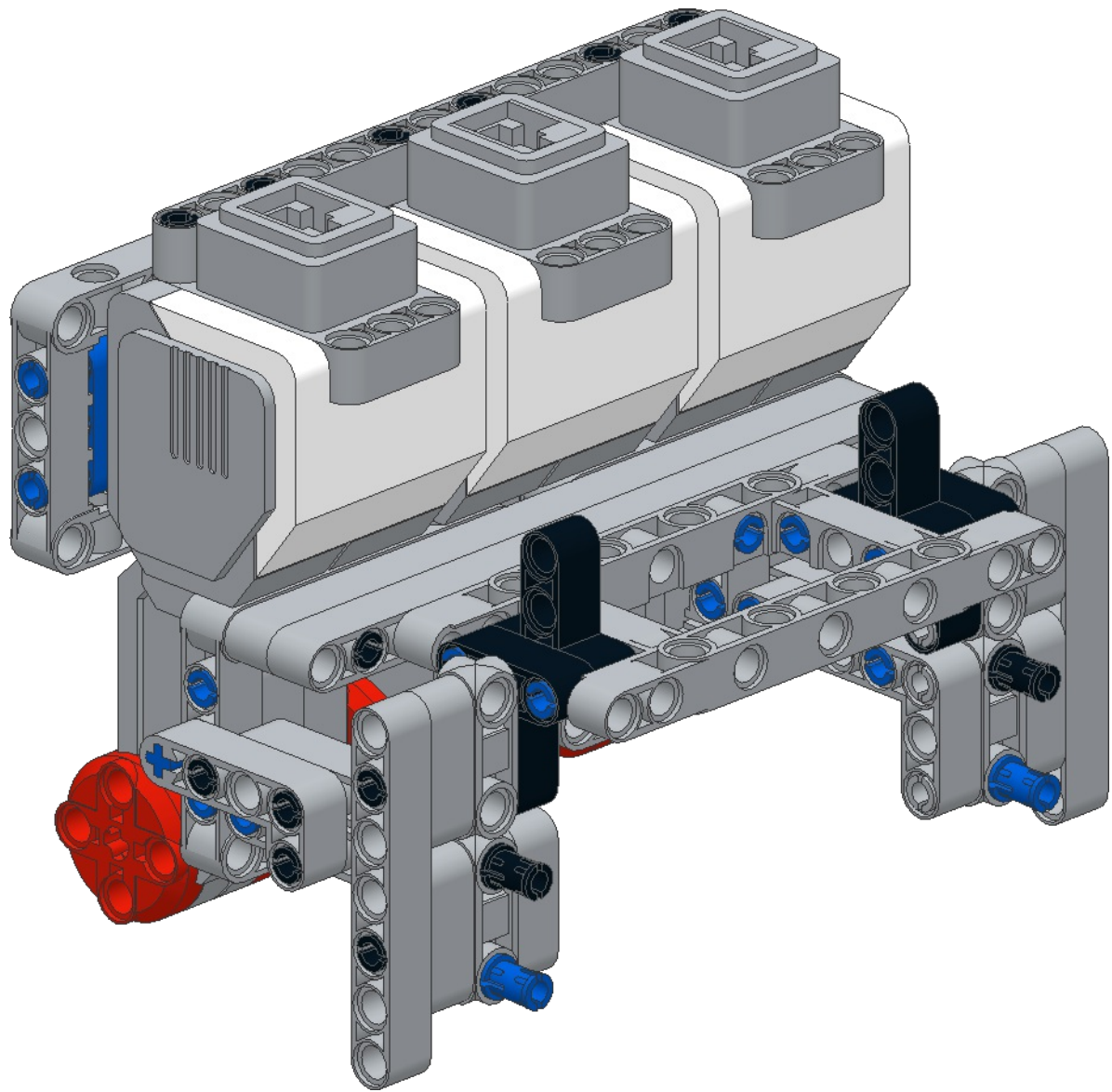
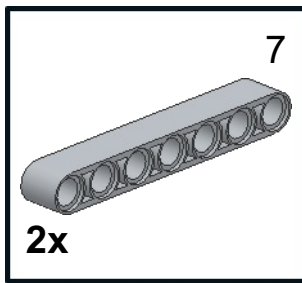


# 26

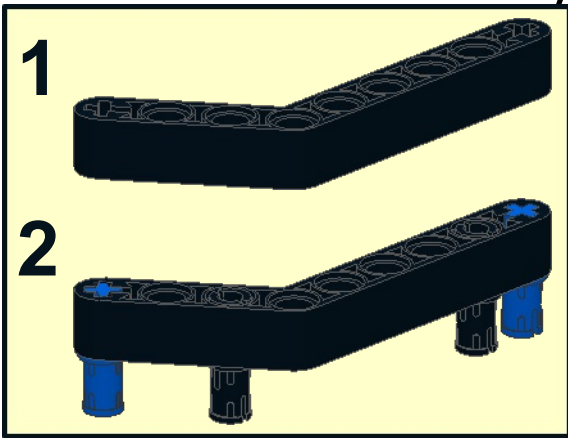
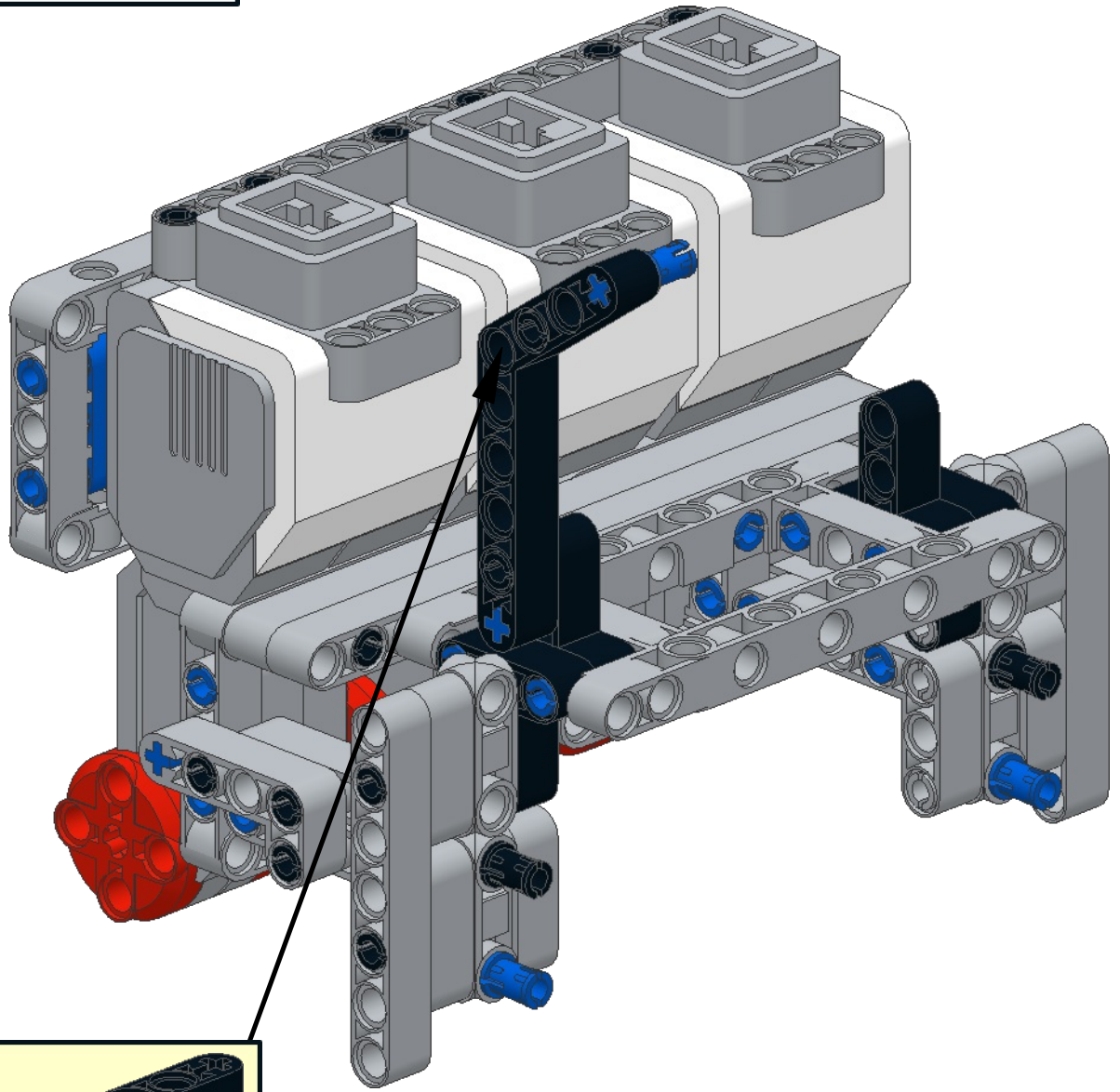
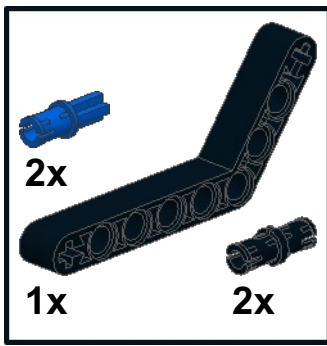


# 27

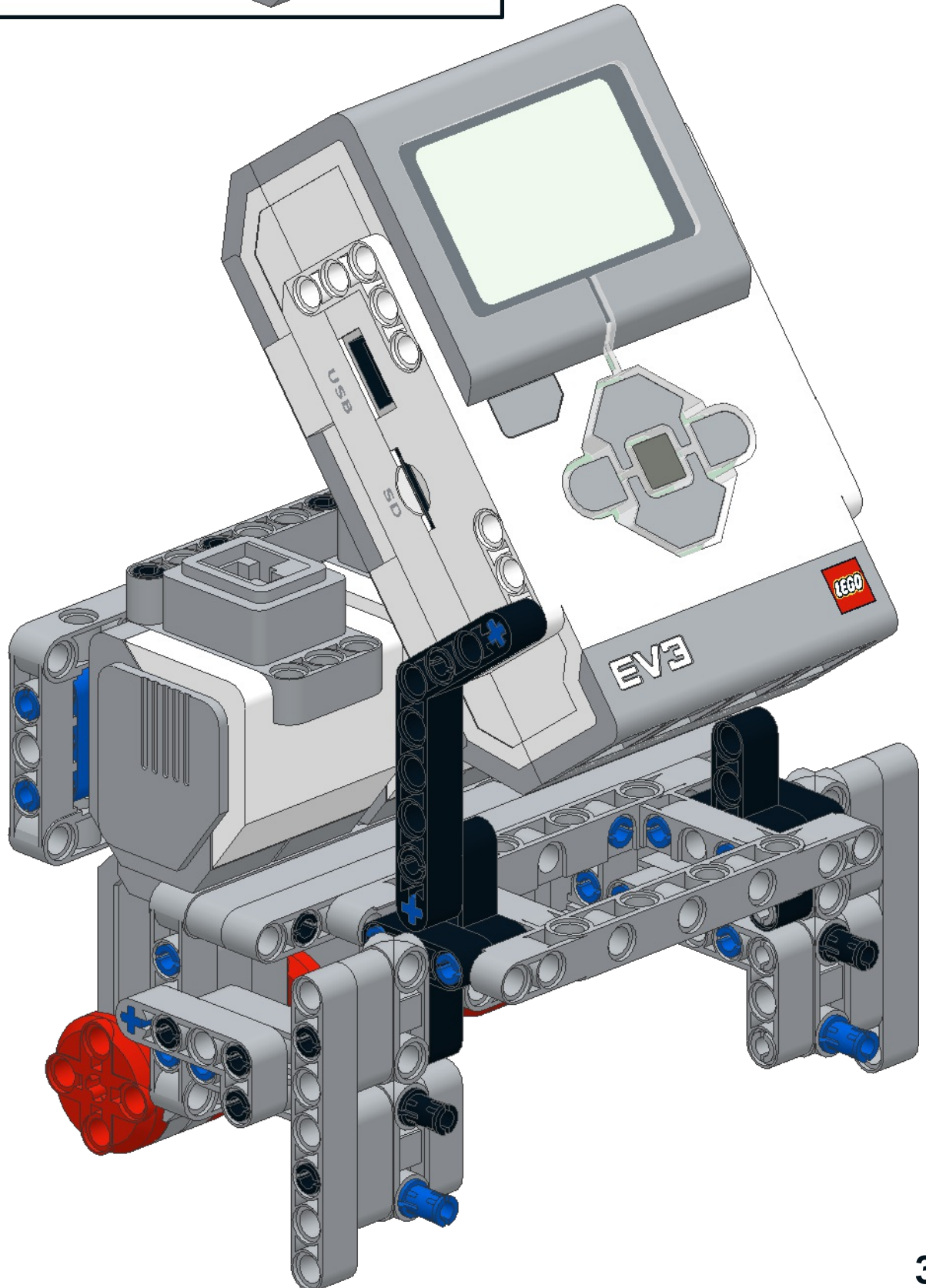
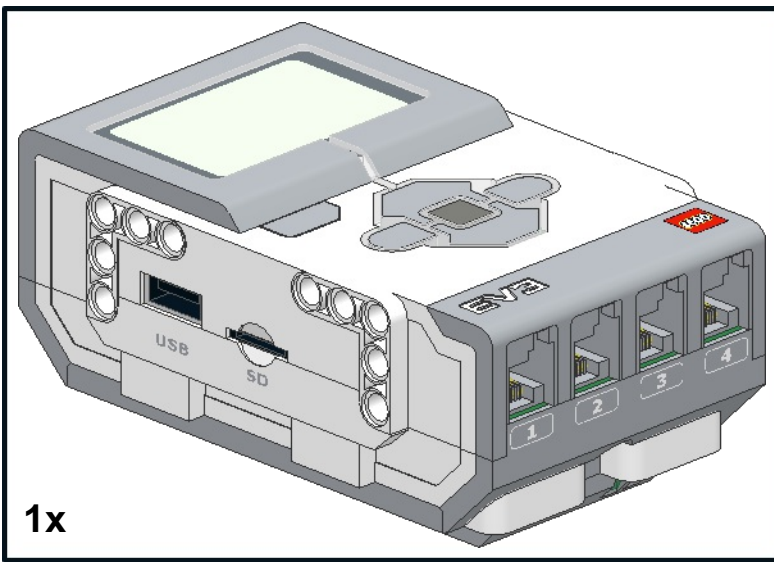


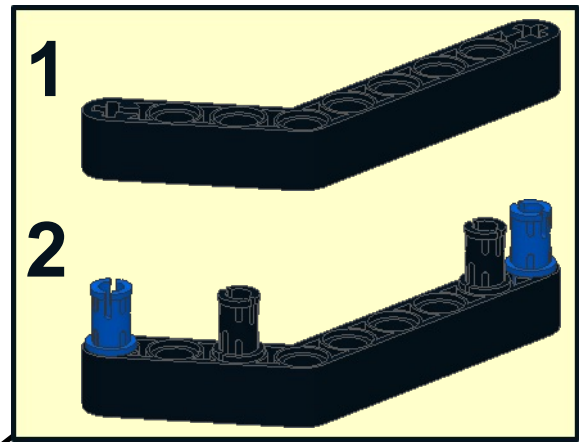
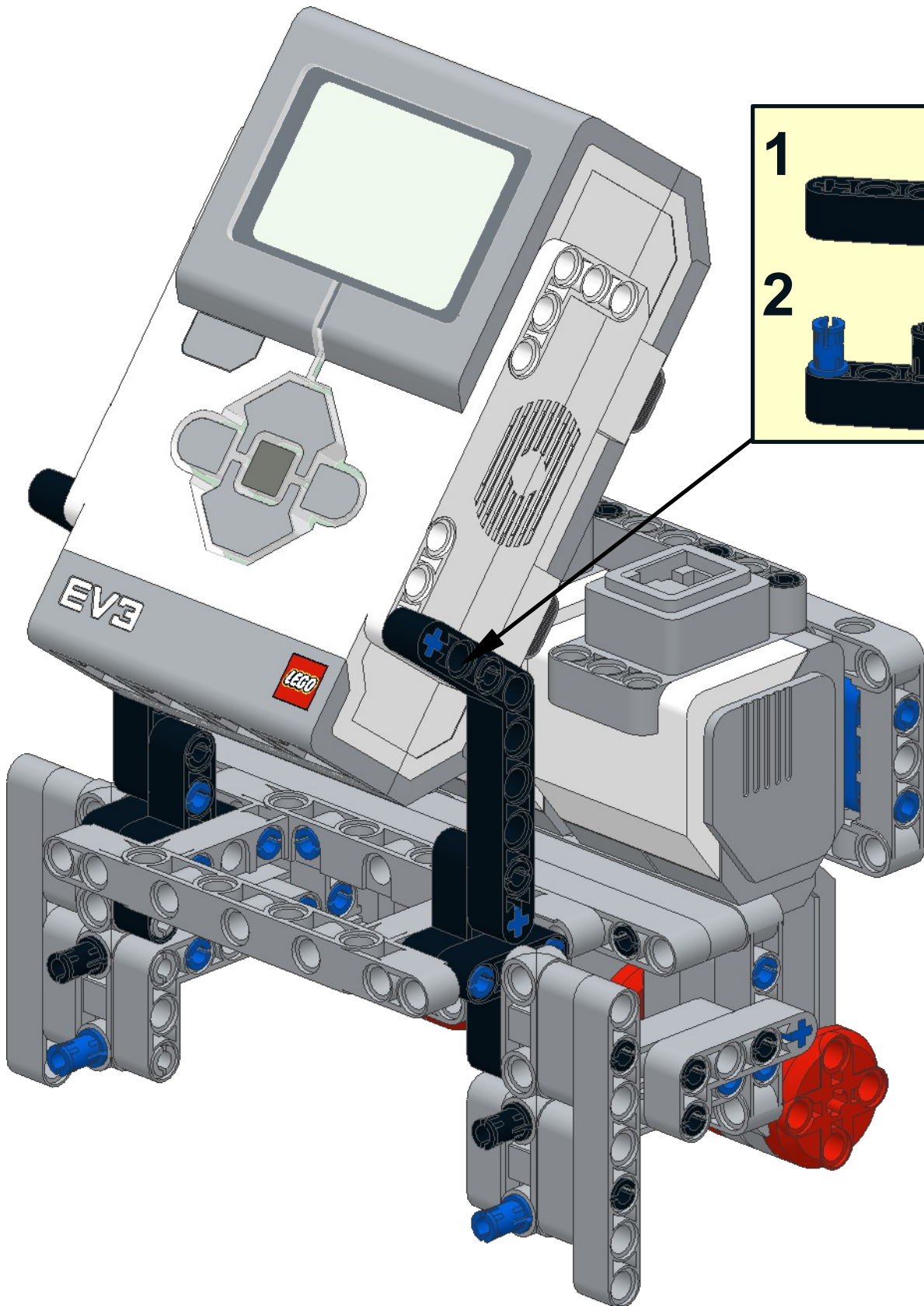
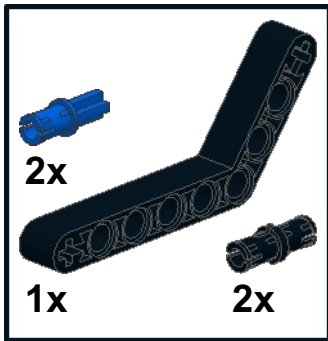




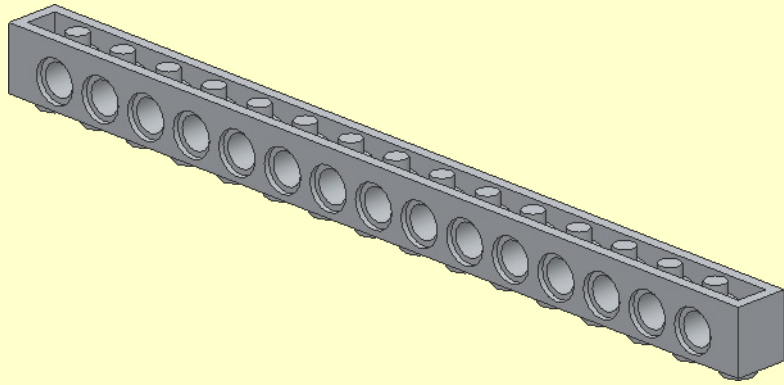
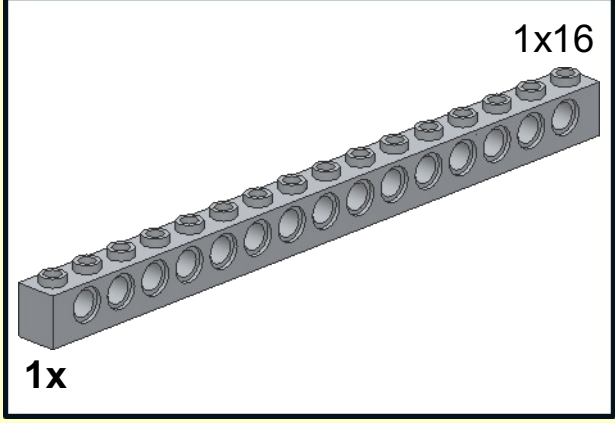




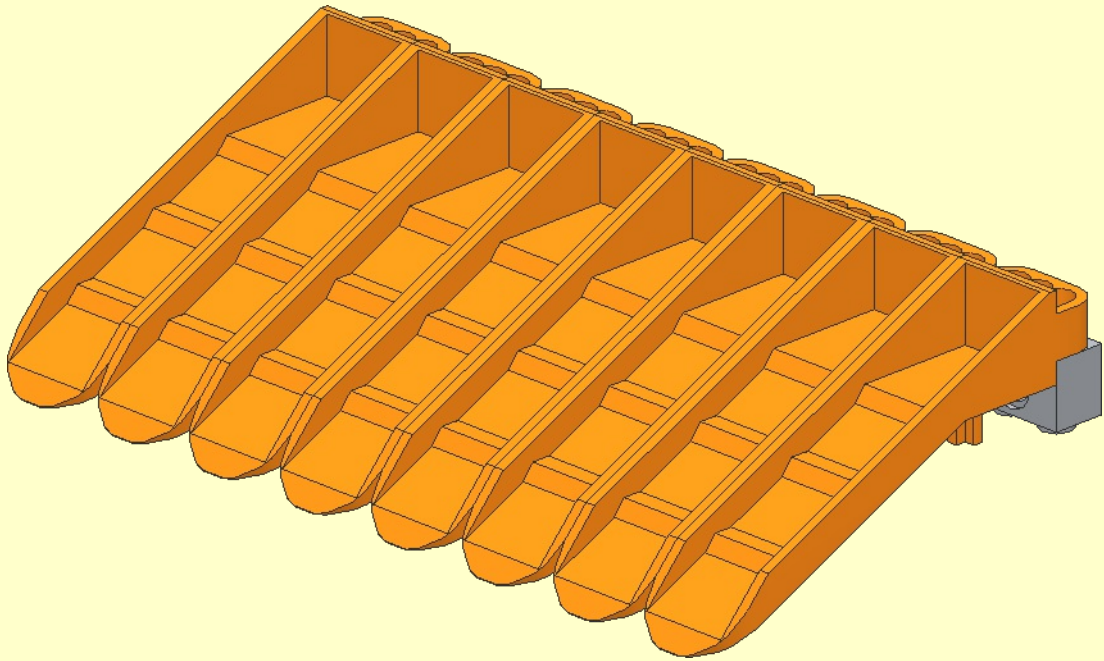




1

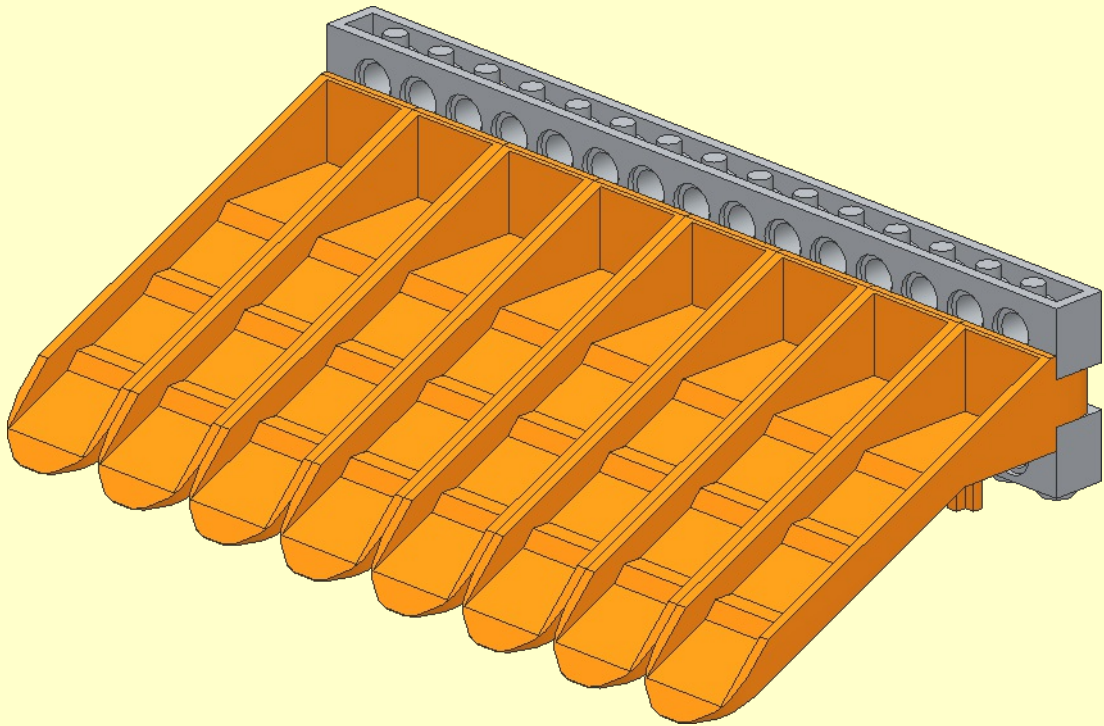
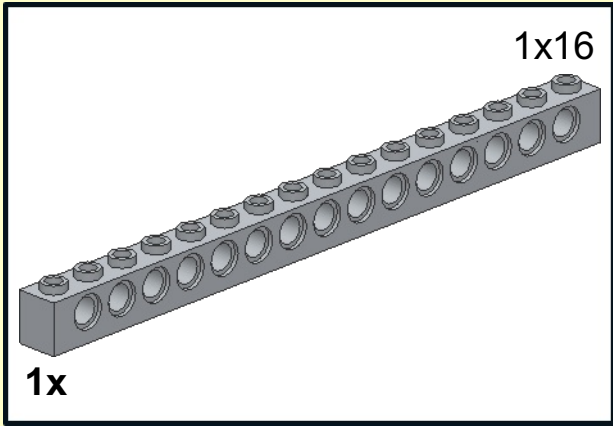


2

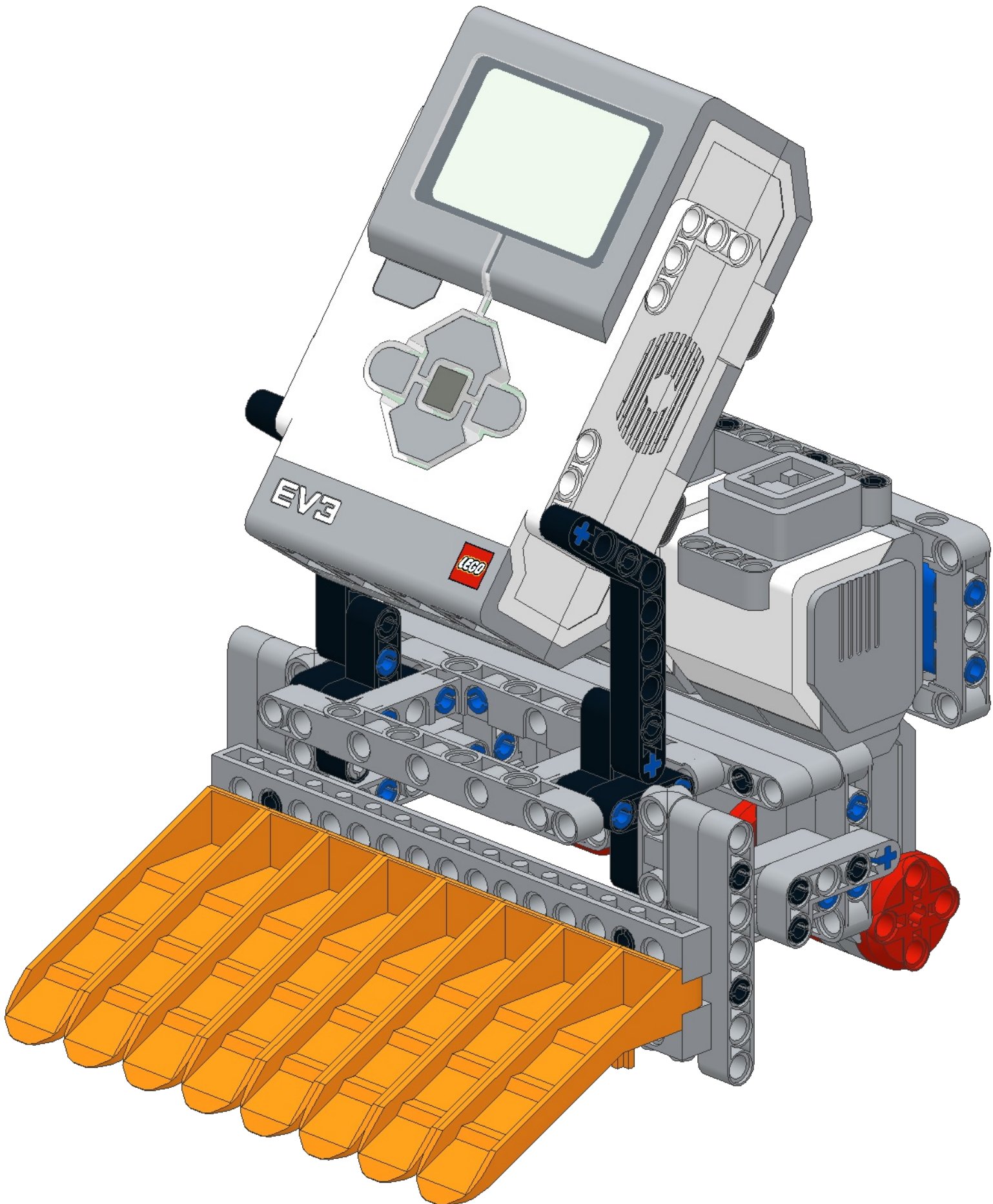




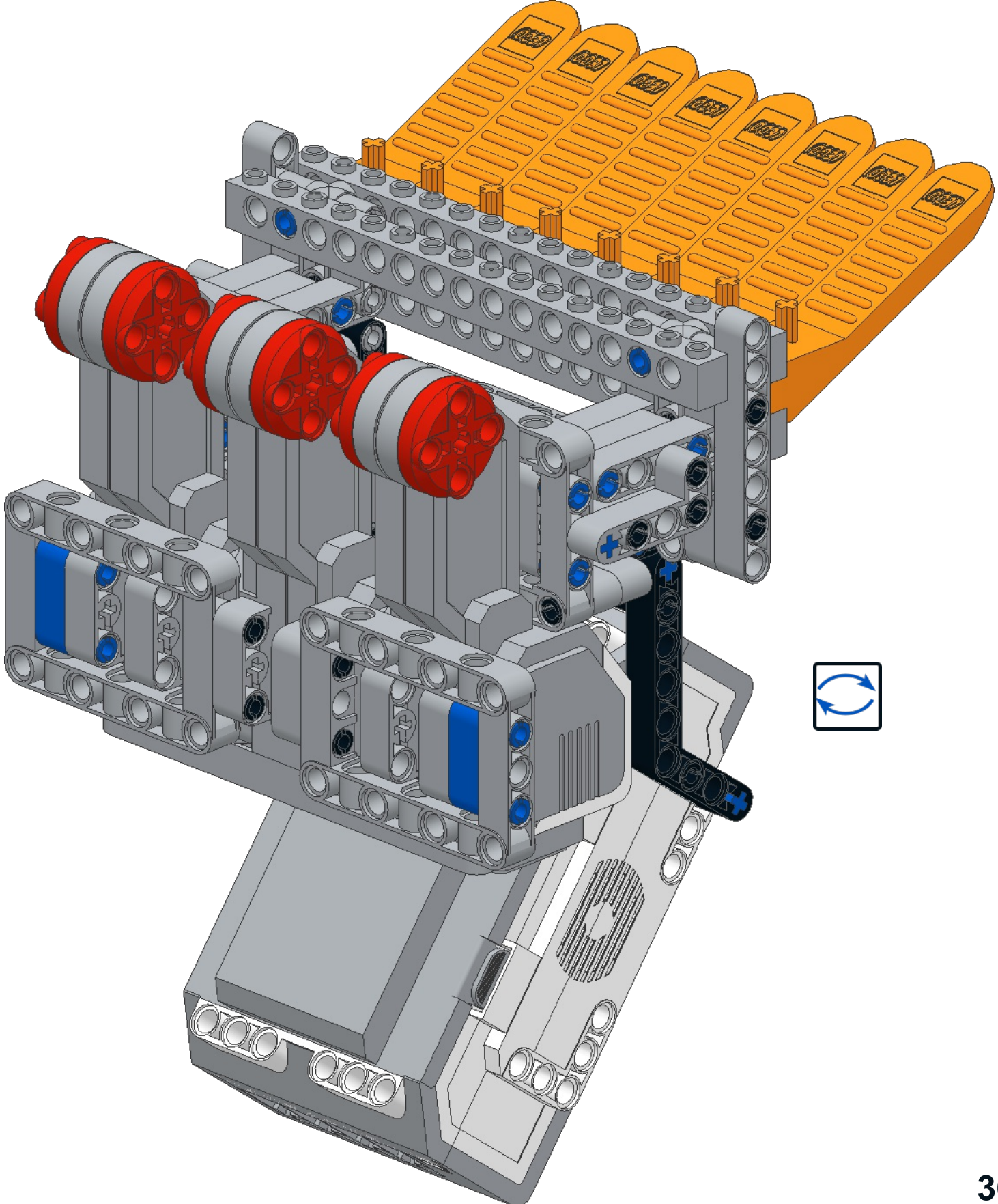
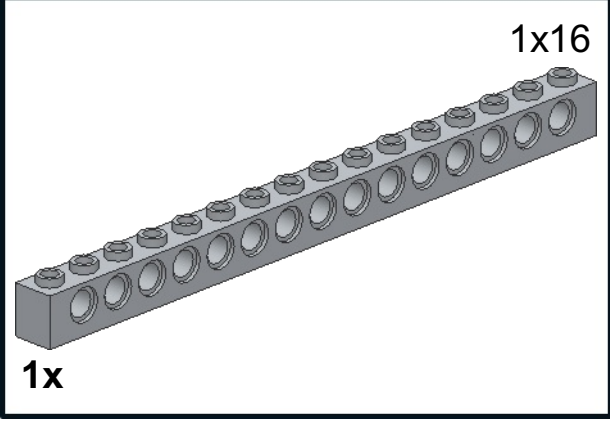
3





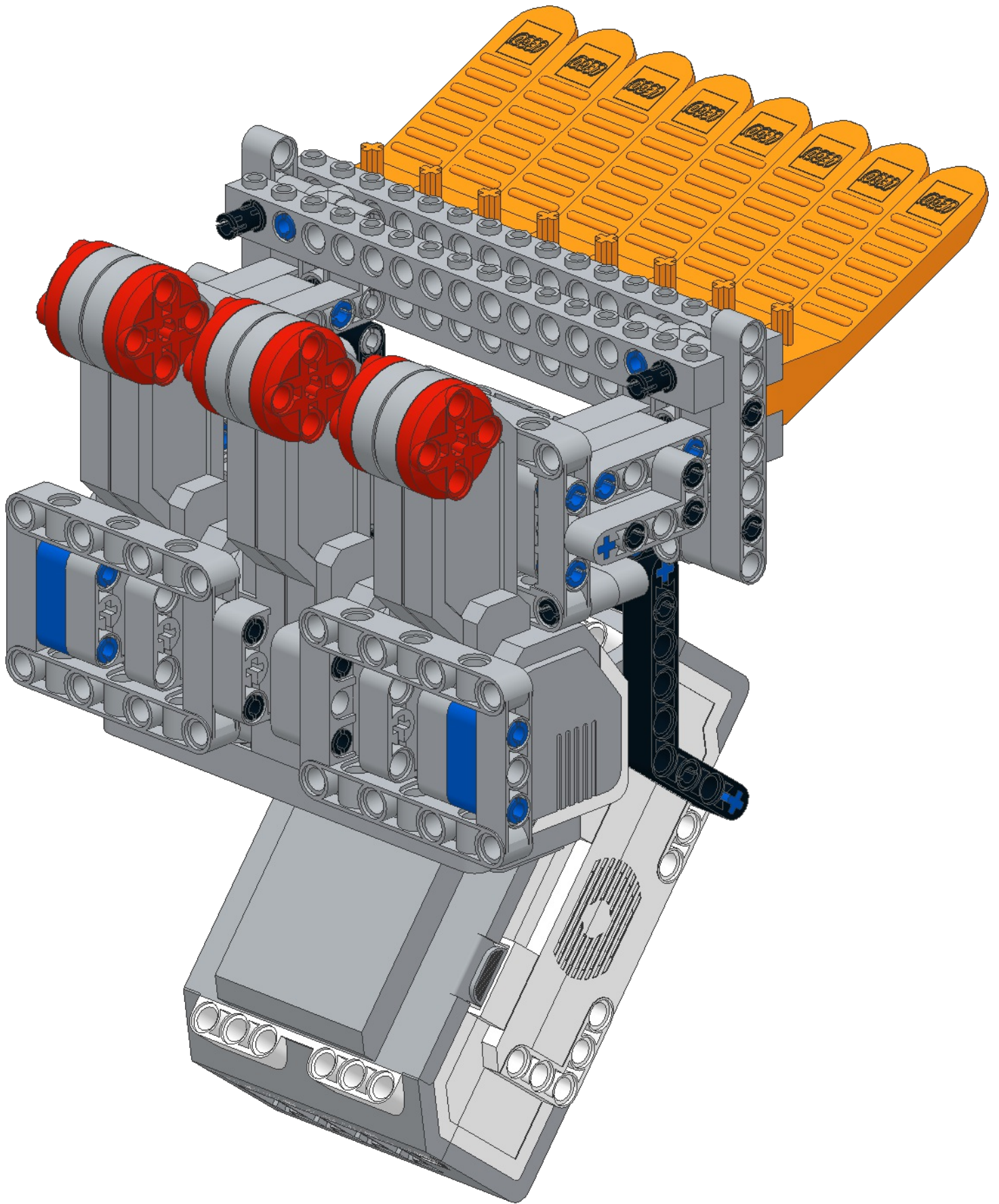


# 33



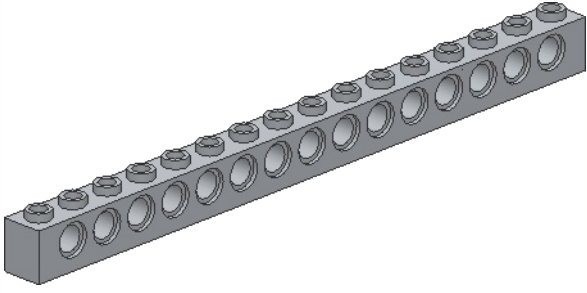


# 34

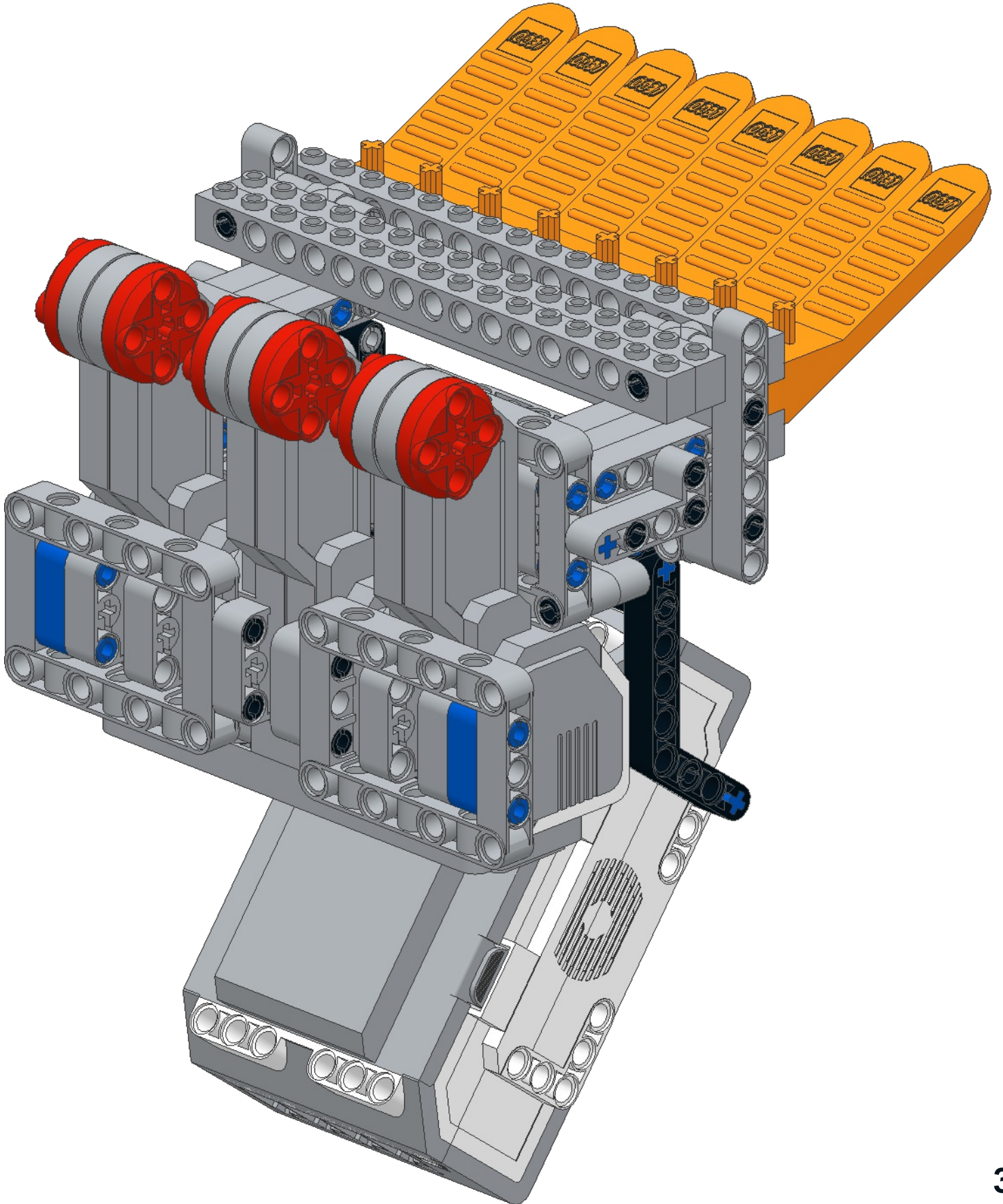


# 35

1x16

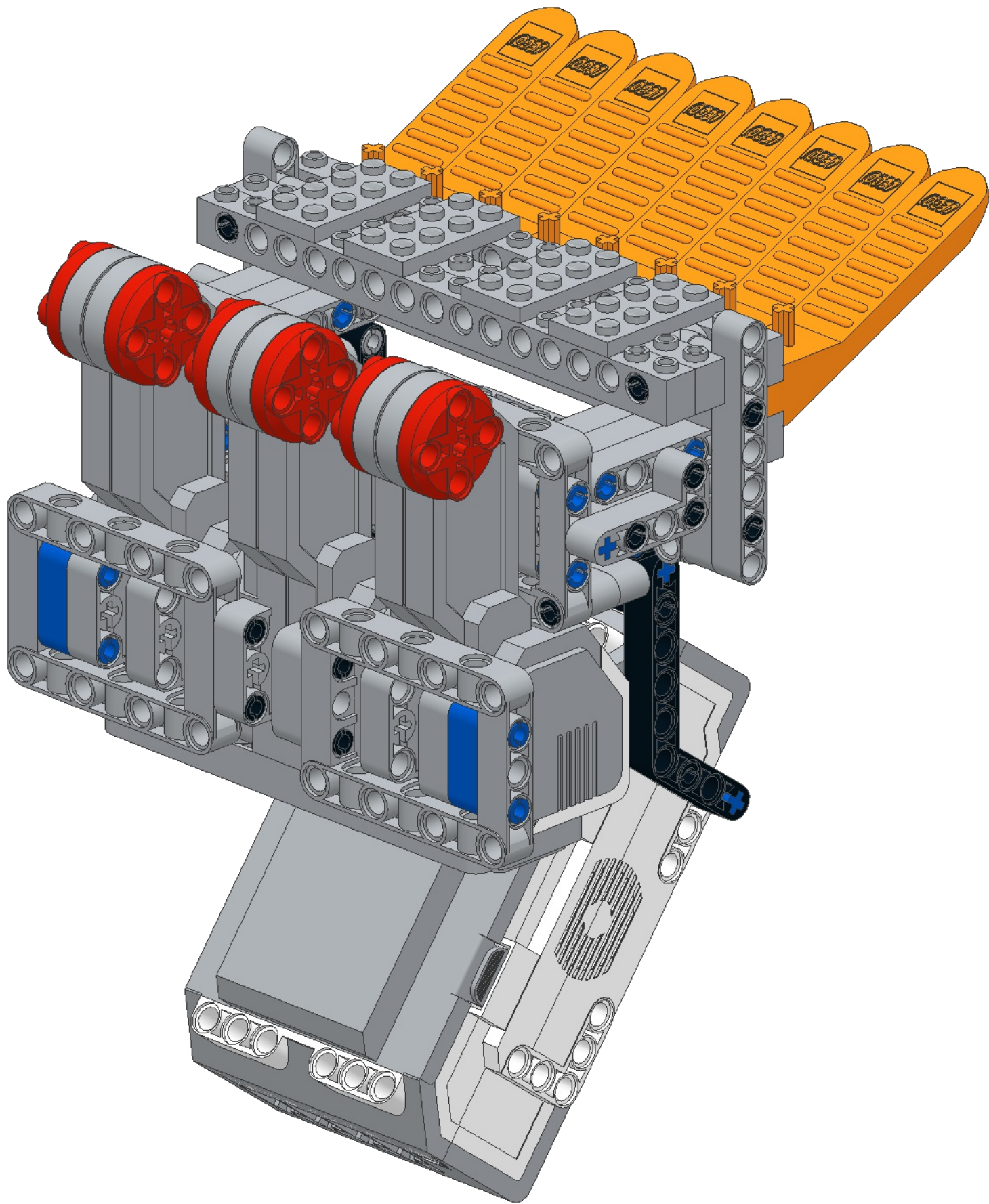
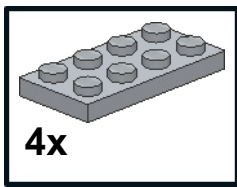


1x

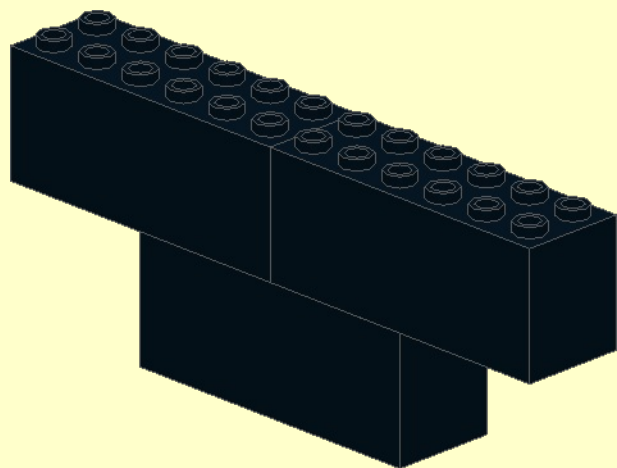
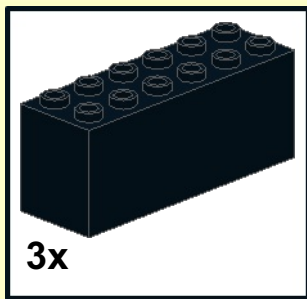


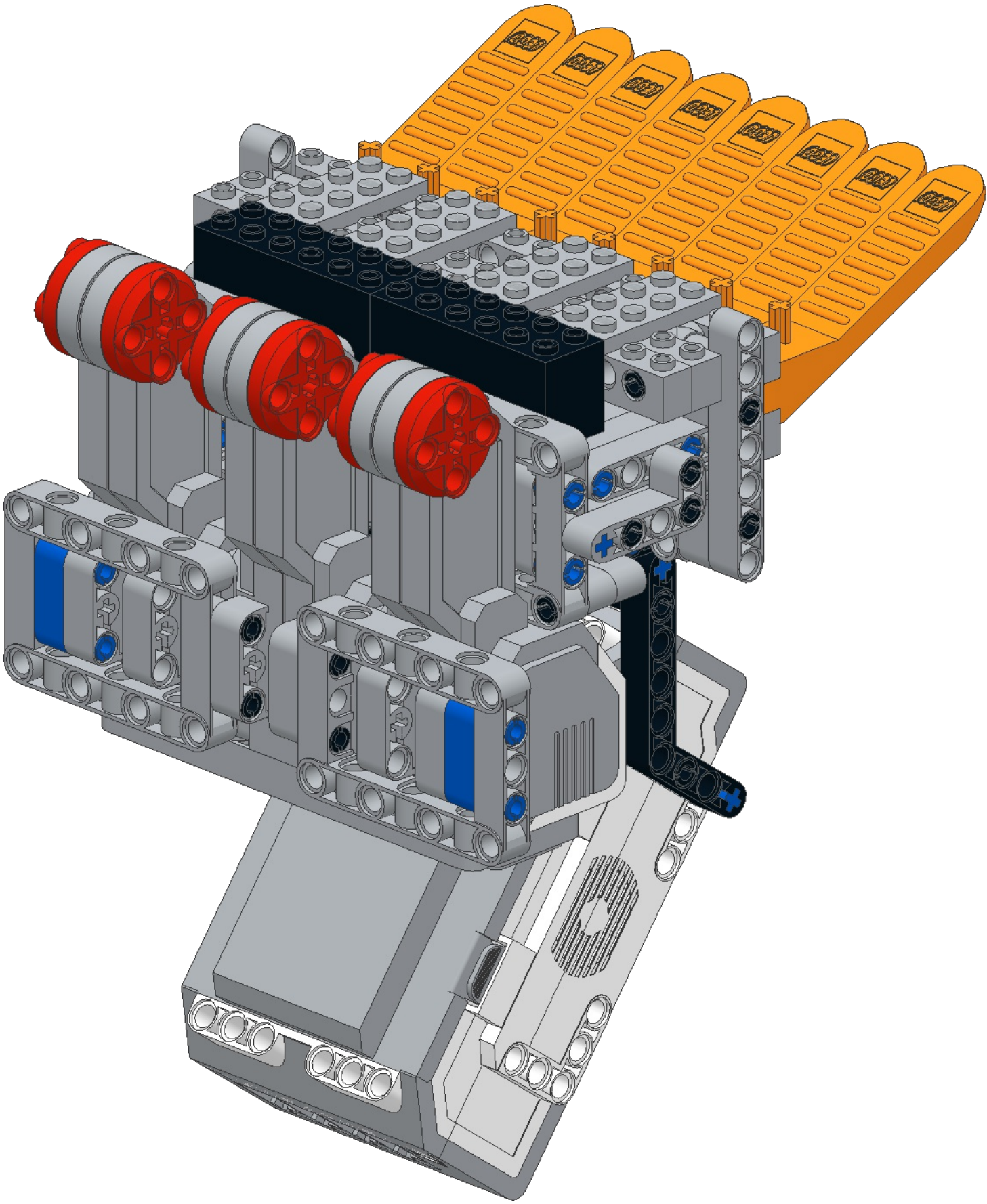


# 36

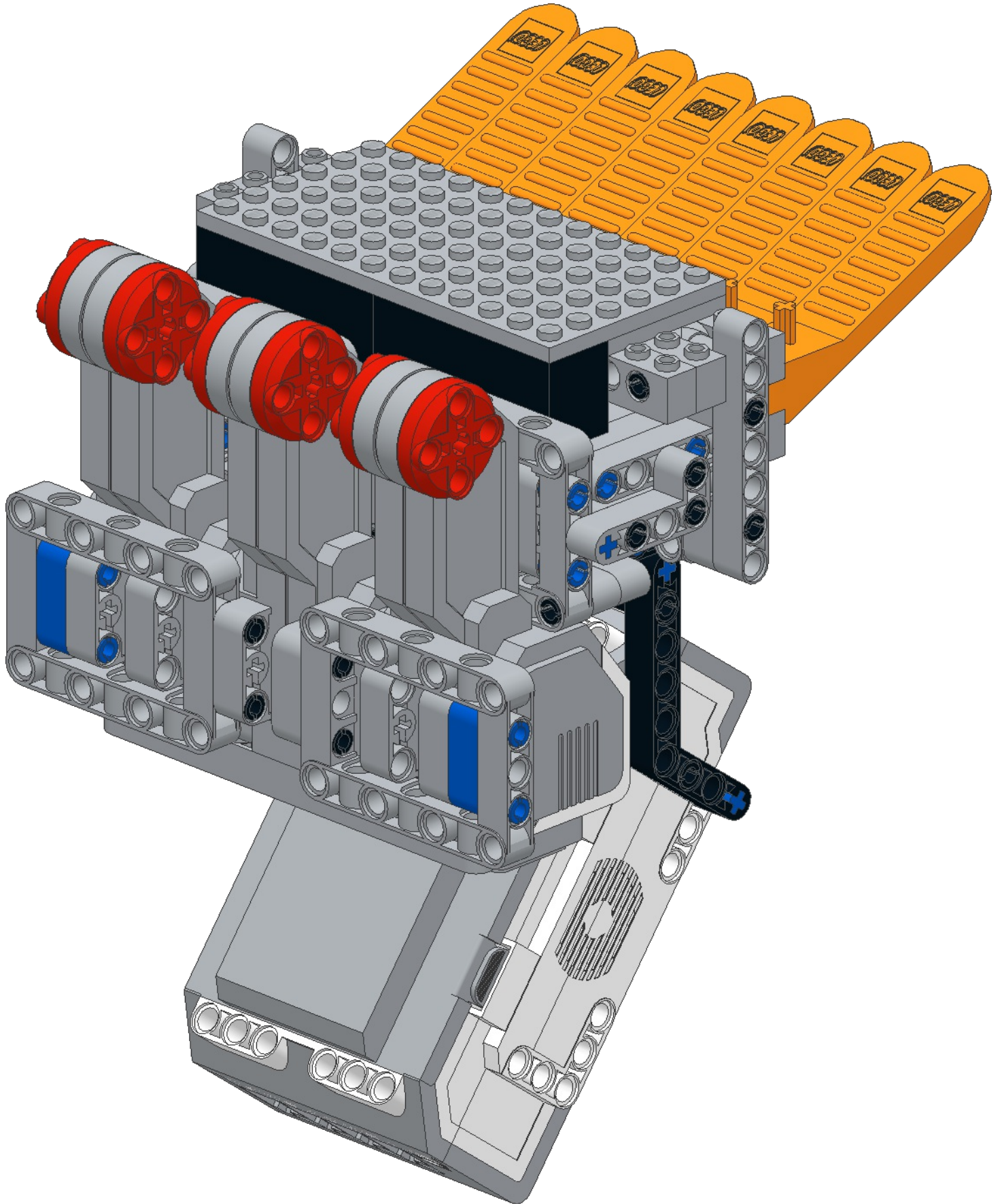
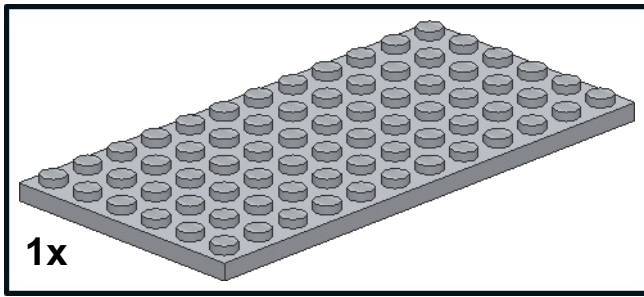






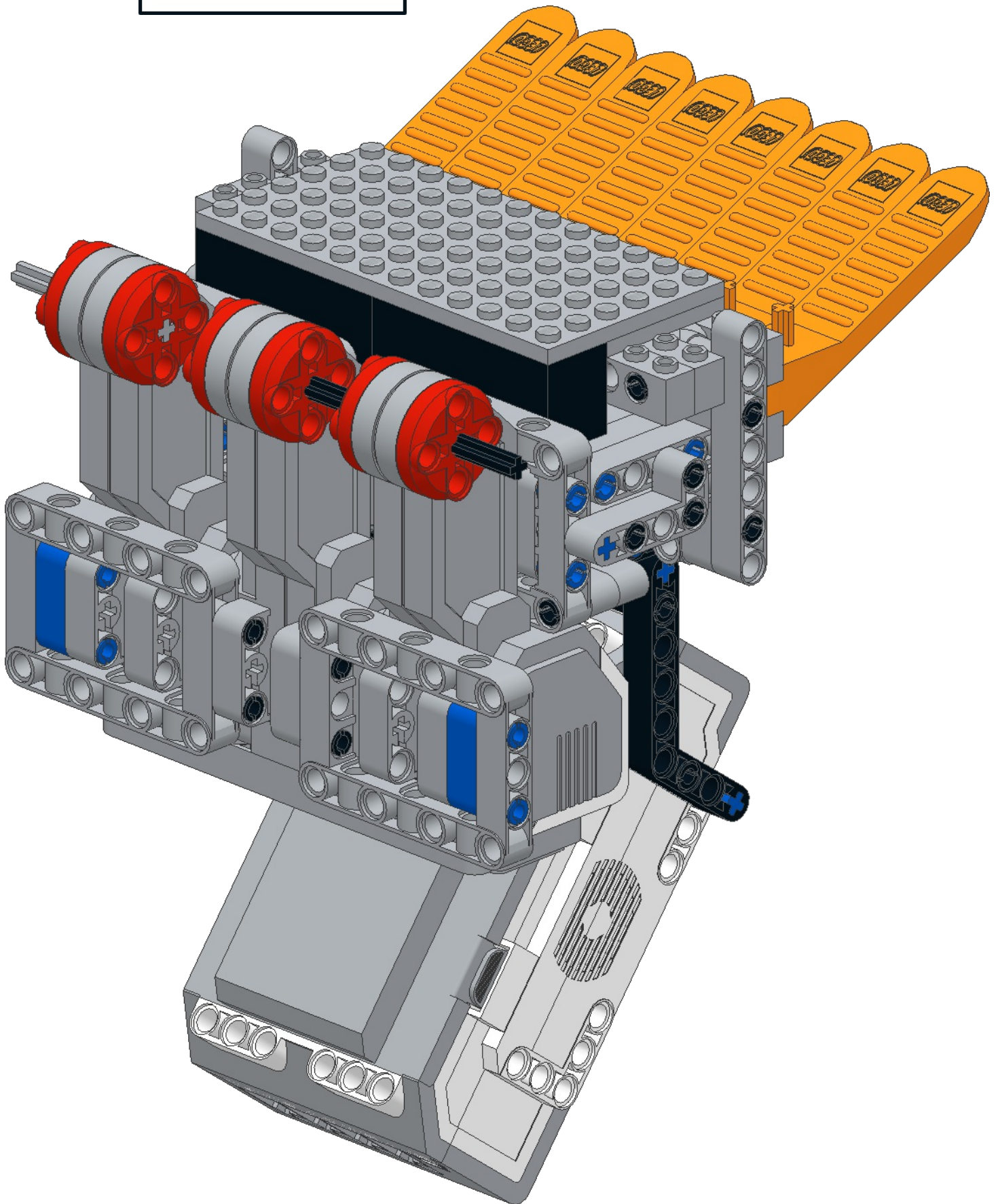
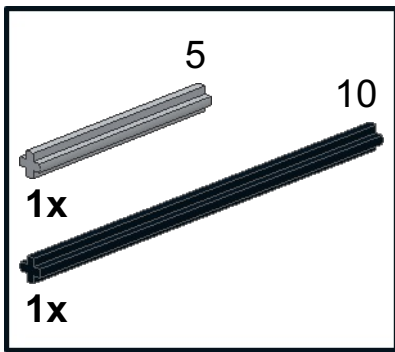


# 38

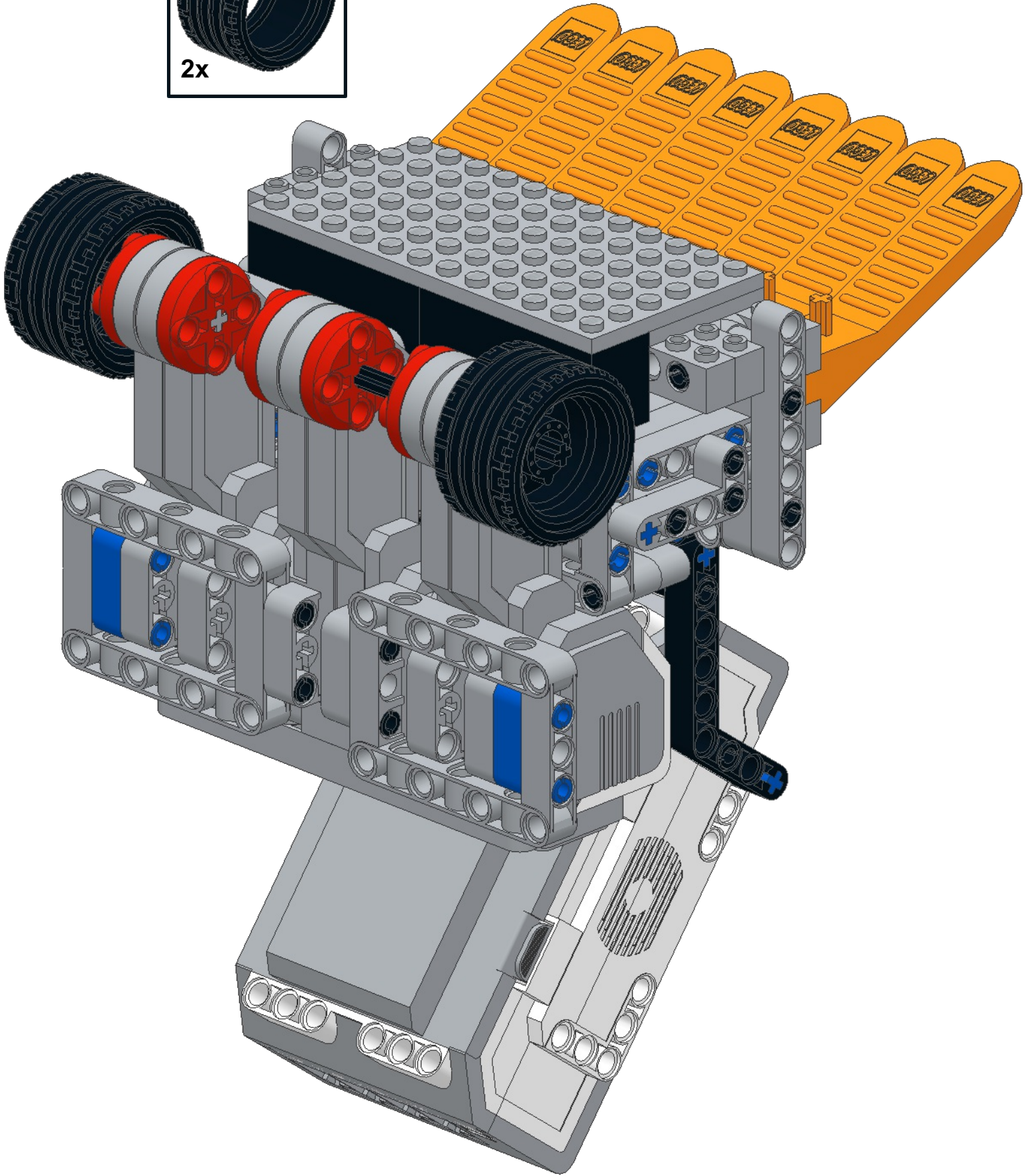




# 39

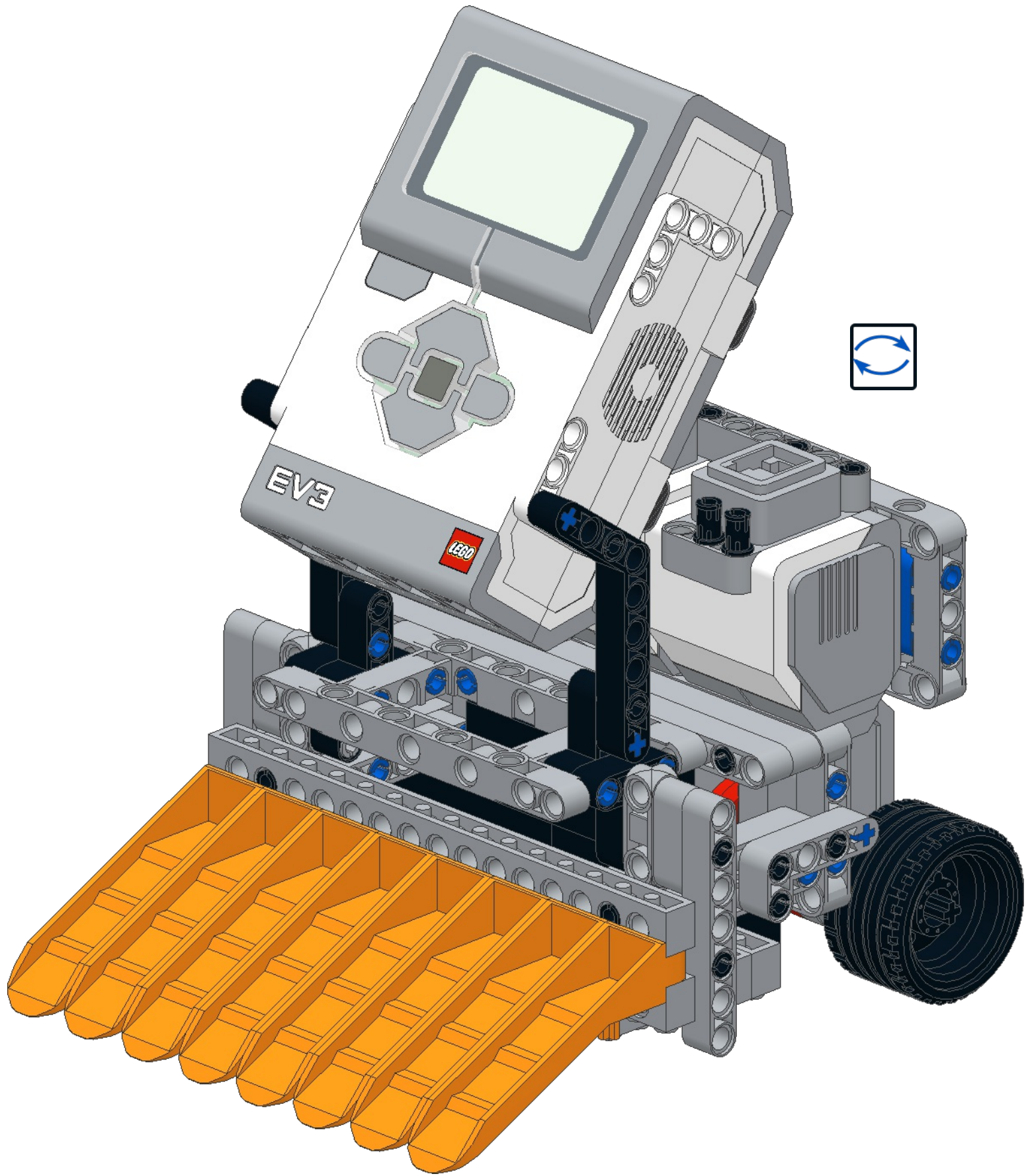


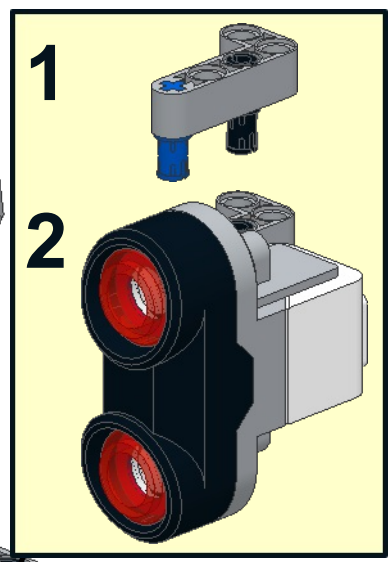
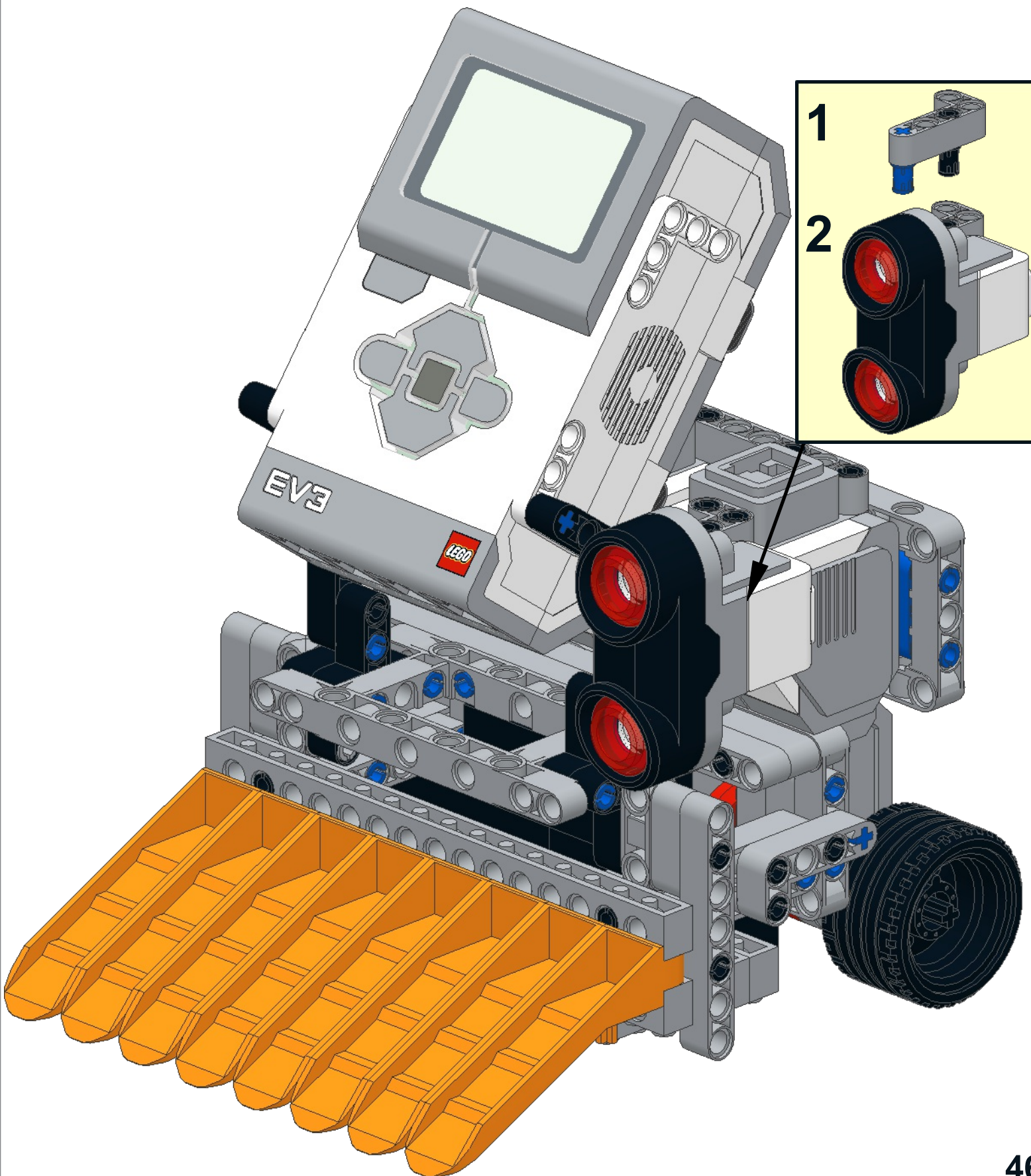
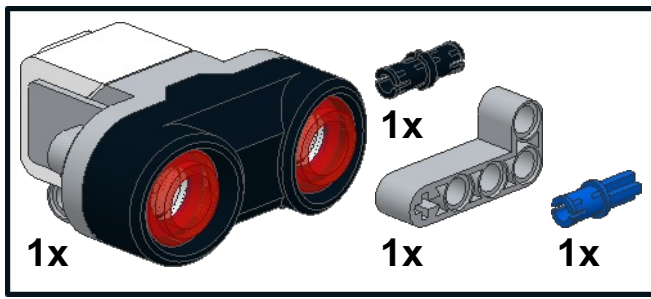
# 40





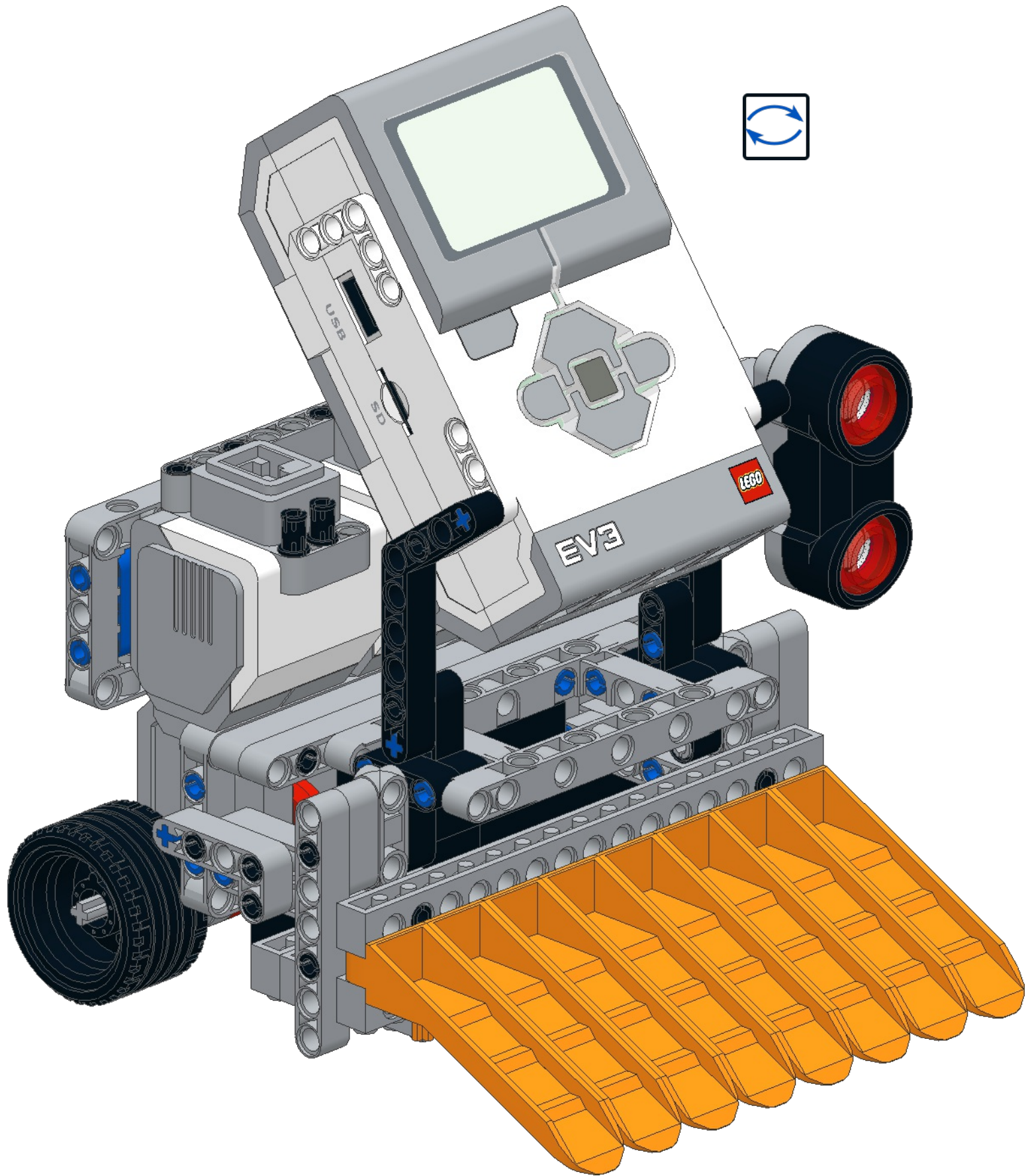
# 41



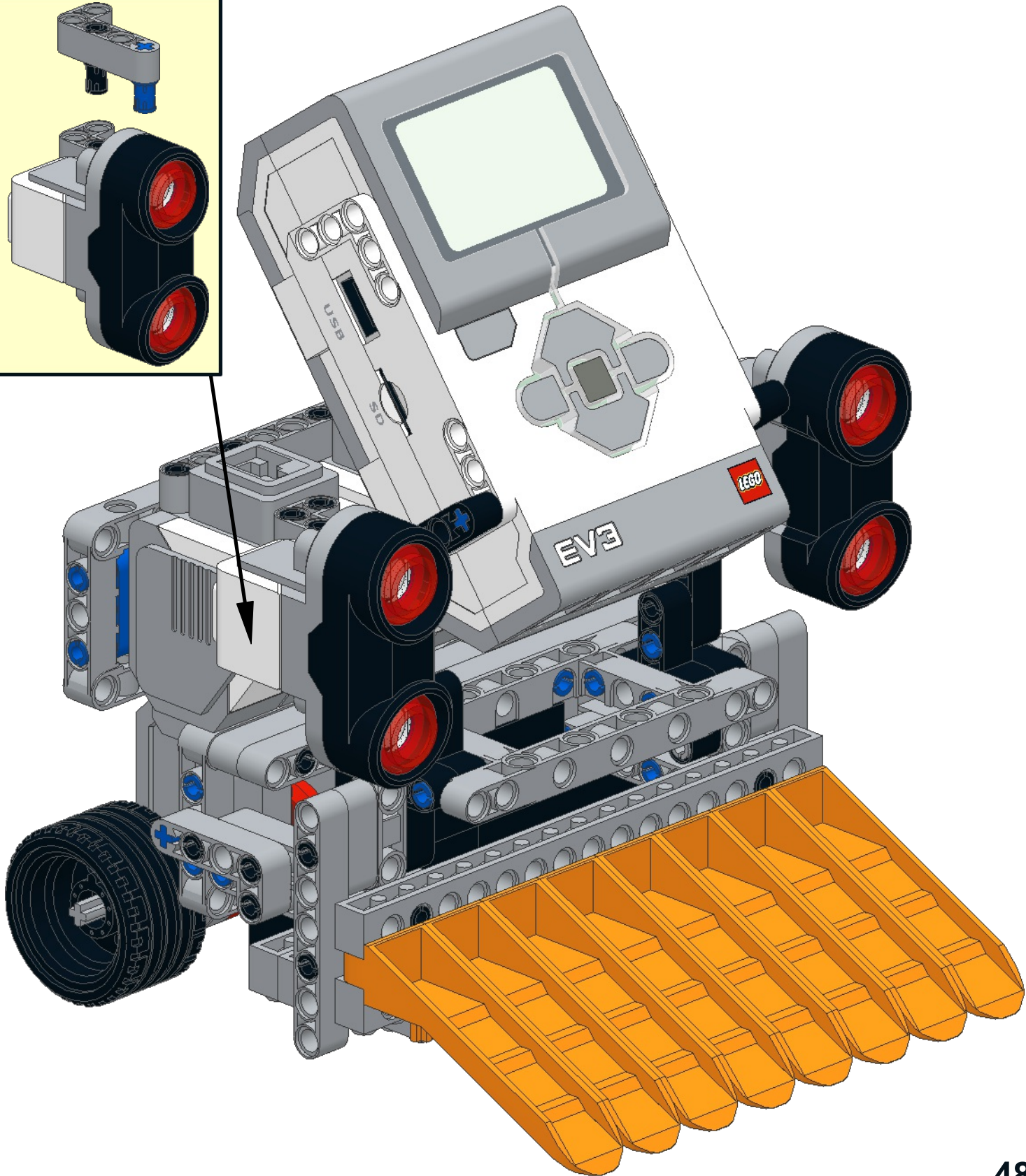
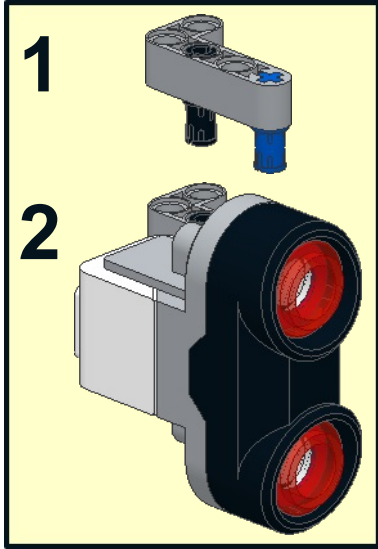
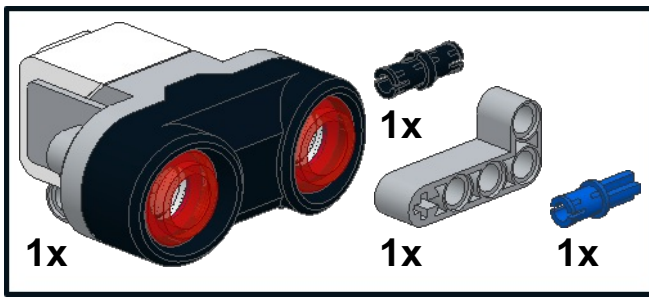




43

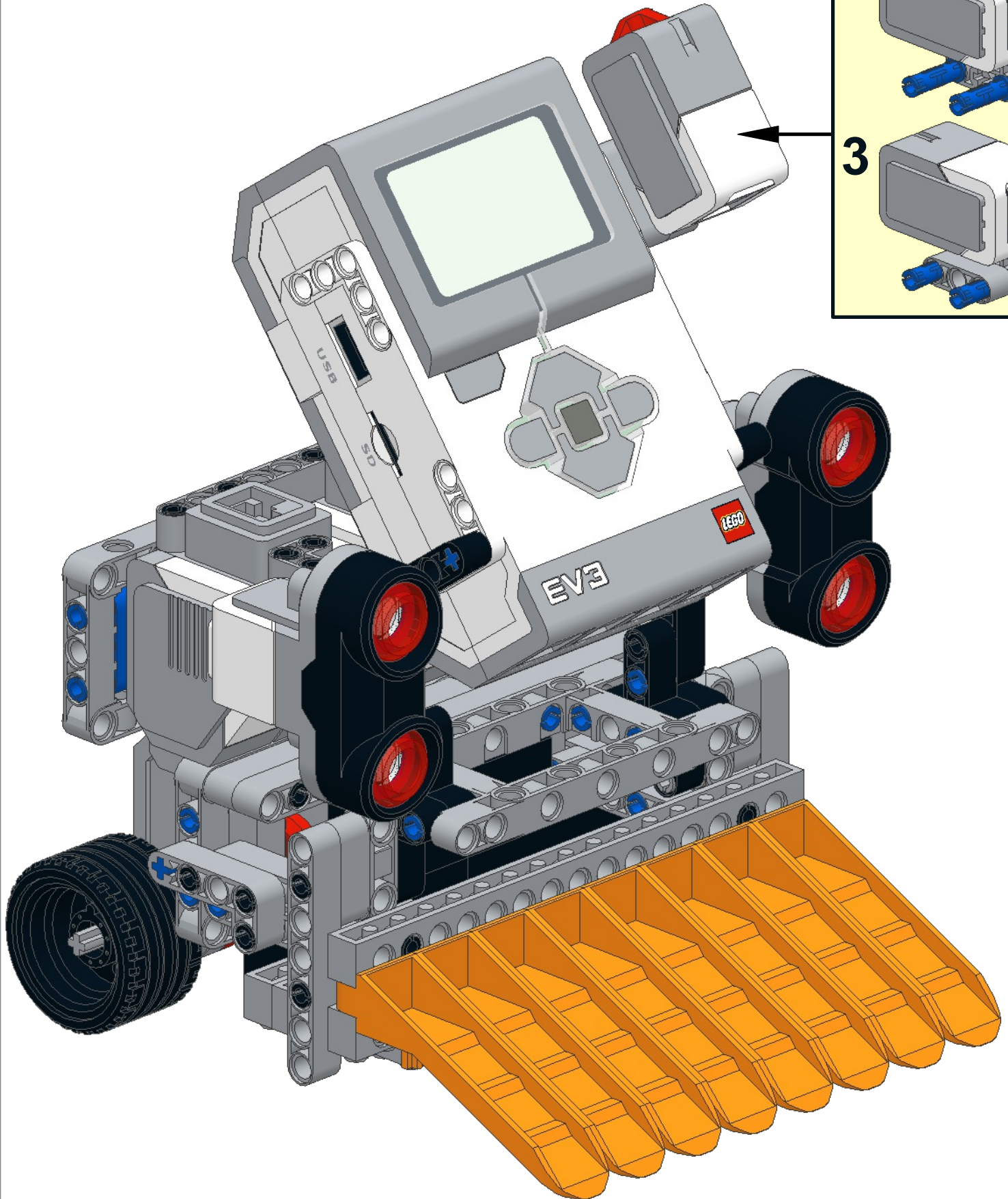
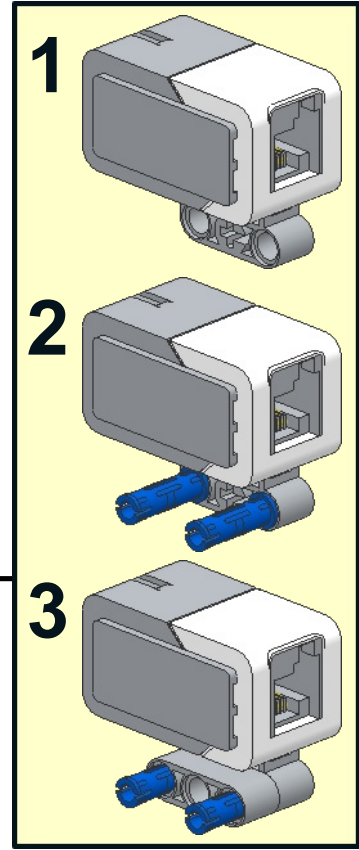
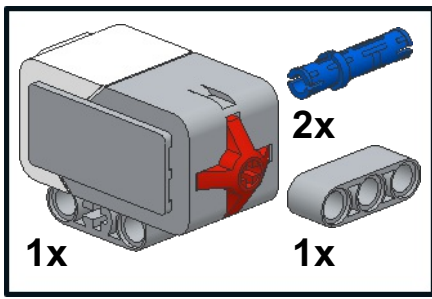


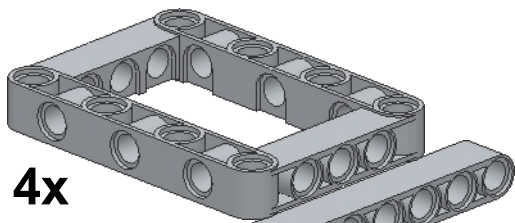
# 44



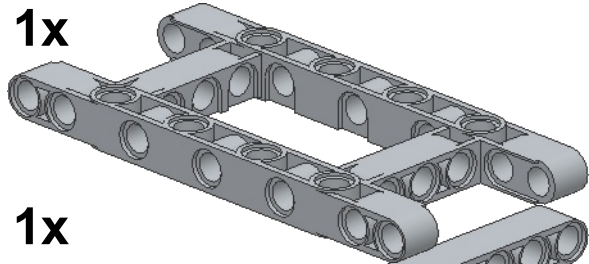


# 45

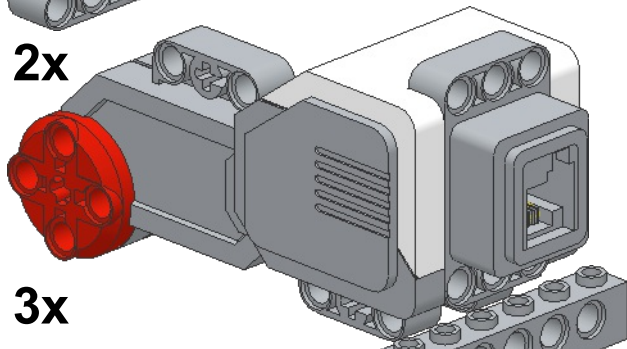




4x



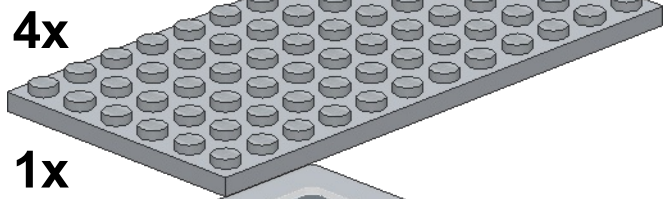
1x



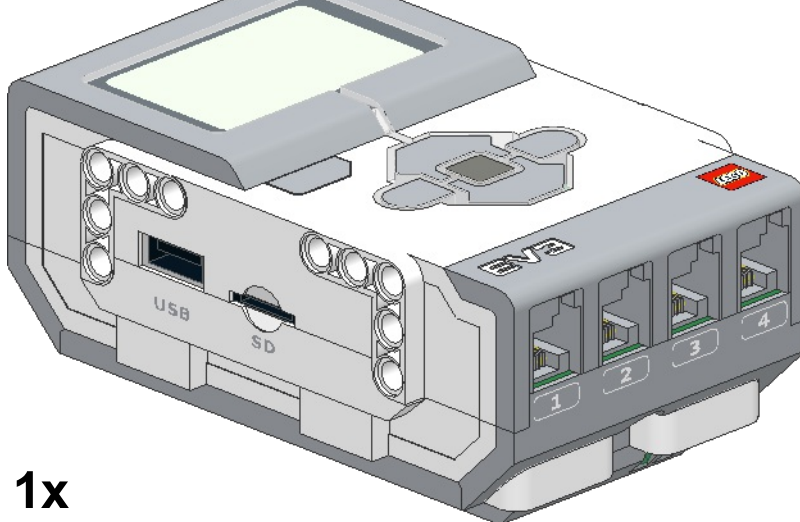
2x



3x

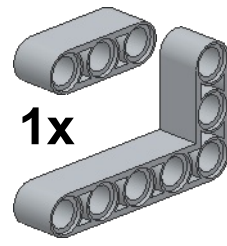


4x



1x

1x



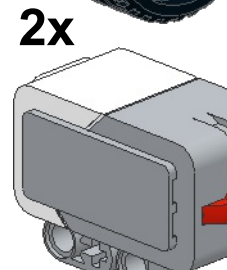
1x



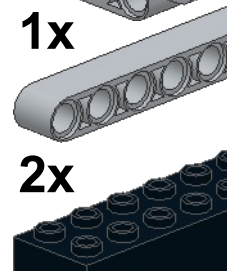
8x



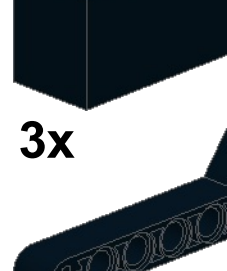
2x



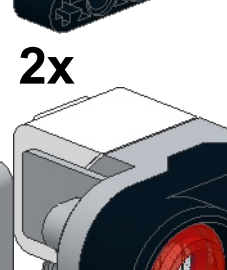
2x



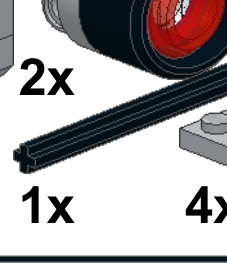
1x



2x



3x



2x

2x

1x

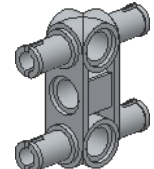
4x



8x



24x



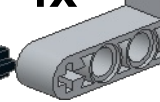
4x



2x



4x



4x



1x



40x